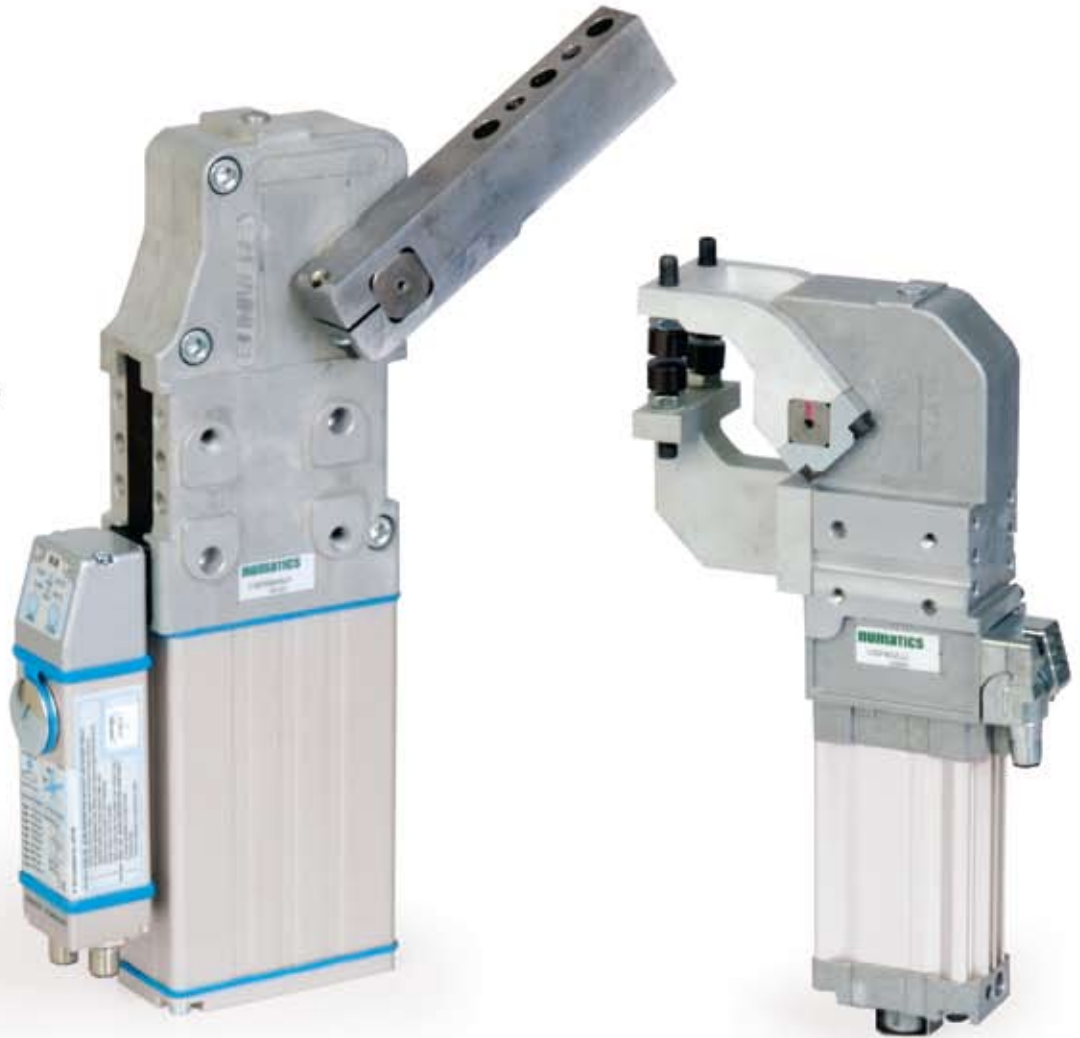


CATALOG
power clamp

Power Clamps

Pneumatic & Electric



Power Clamps 2-95

Pneumatic

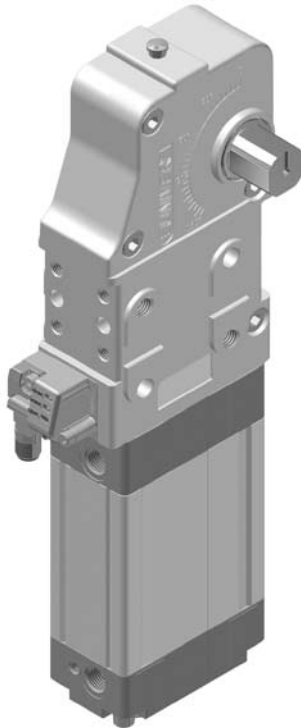
UNP Series Pneumatic Power Clamp	2-13
UBP Series Pneumatic Power Clamp	14-30
UGP Series Pneumatic Gripper	31-35
LSP Series Pneumatic Pin Clamp	36-38
LTP Series Pneumatic Pin Clamp	39-41
UAGP Series Pneumatic Power Pivot	42-49
LAGP Series Pneumatic Power Pivot	50-57
Electronic Sensors & Wishbone Arms	58

Electric

LNE Series Electric Power Clamp	59-70
LAE Series Electric Power Clamp	71-74
LGE Series Electric Gripper	75-79
LSE Series Electric Pin Clamp	80-84
LTE Series Electric Pin Clamp	85-87
LAGE Series Electric Power Pivot	88-94
Electric Clamp Cables	95



UNP Series Pneumatic Power Clamp



Features

- Conforms to NAAMS Standards
- Blade and foot mounting
- Fully adjustable opening angle
- Opening angle can be set with or without air pressure
- Unique linkage design ensures positional repeatability
- Linear and rotary motion guided by roller bearings
- Remains locked in closed position even when air pressure is removed
- Pneumatic ports on both sides of the cylinder
- Manual release button to open mechanism when air pressure is removed
- Unique “programmable” all metal sensor with M12 swivel connector

General Specifications

Weight:

UNP50: 3.2 Kg (7.1 lbs)

UNP63: 3.6 Kg (7.9 lbs)

UNP80: 11.5 Kg (25.4 lbs)

Operating Pressure:

Minimum: 2.75 Bar (40 PSI)

Maximum: 8 Bar (115 PSI)

Operating Temperature: 5° to 45° C (40° to 113°F)

Class Protection: IP65

Opening Angles:

UNP40: Fully adjustable from 0° to 125°

UNP50, 63, 80: Fully adjustable from 0° to 135°

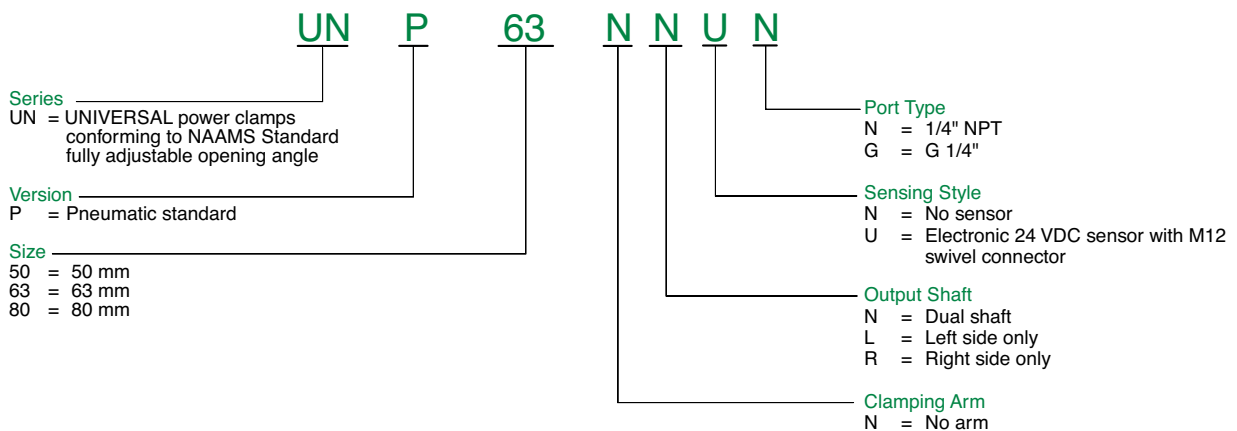
Holding Capacity:

UNP50: 1250 Nm (11063 in-lbs)

UNP63: 1750 Nm (15488 in-lbs)

UNP80: 4000 Nm (35402 in-lbs)

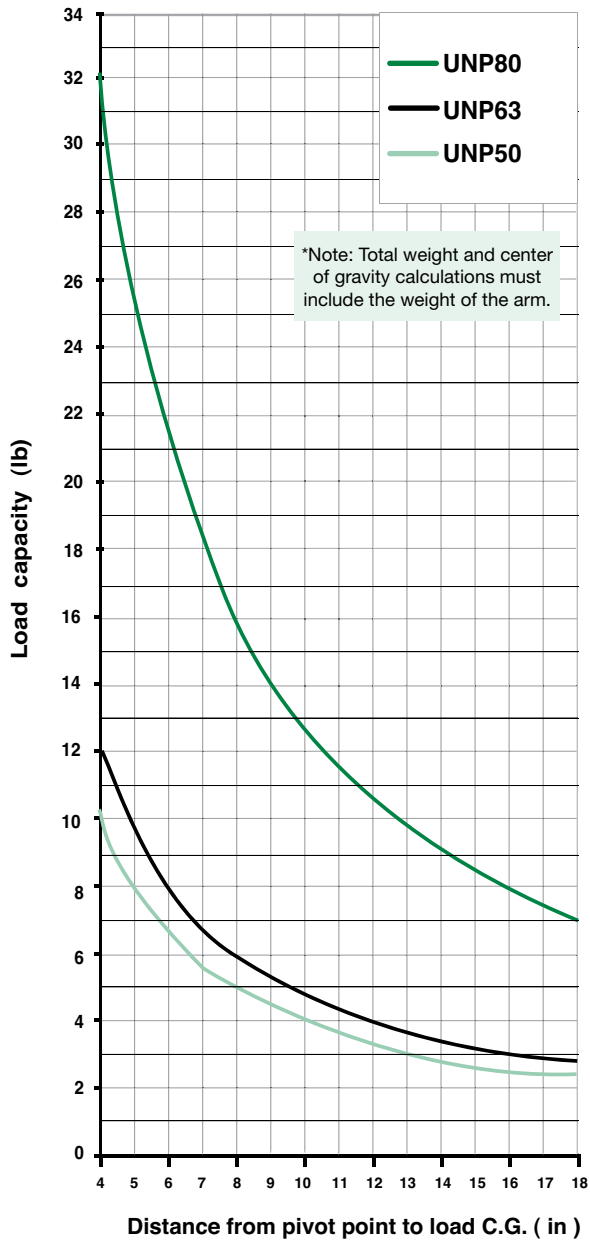
How to Order



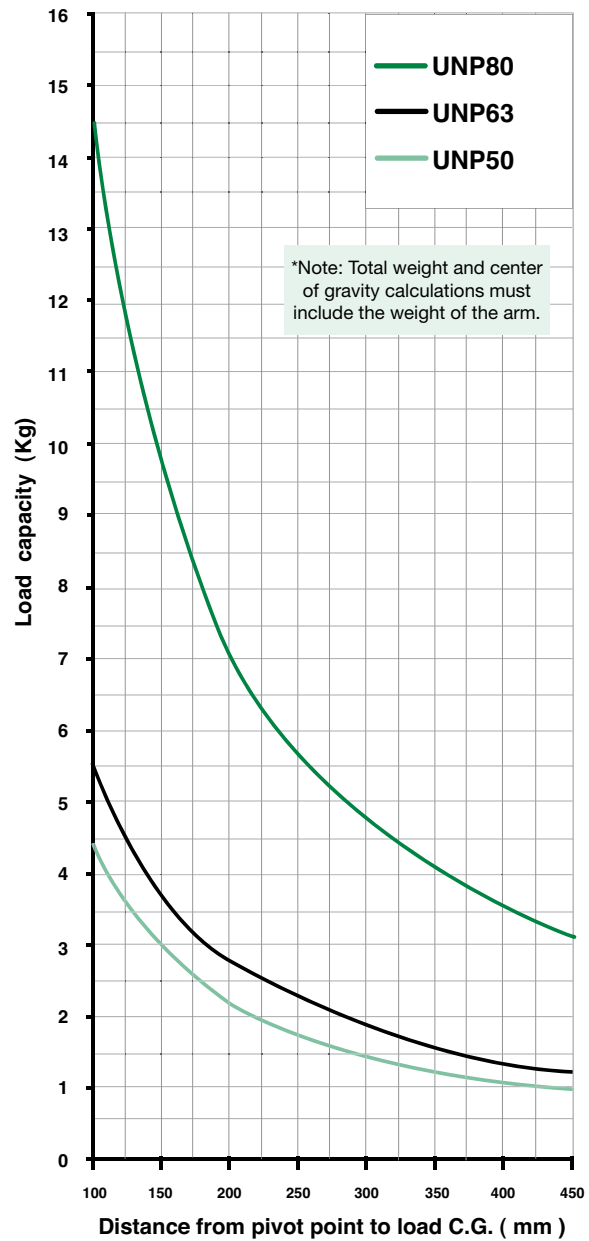


Maximum Applicable Load

English
operating pressure : 60 PSI



Metric
operating pressure : 4 bar

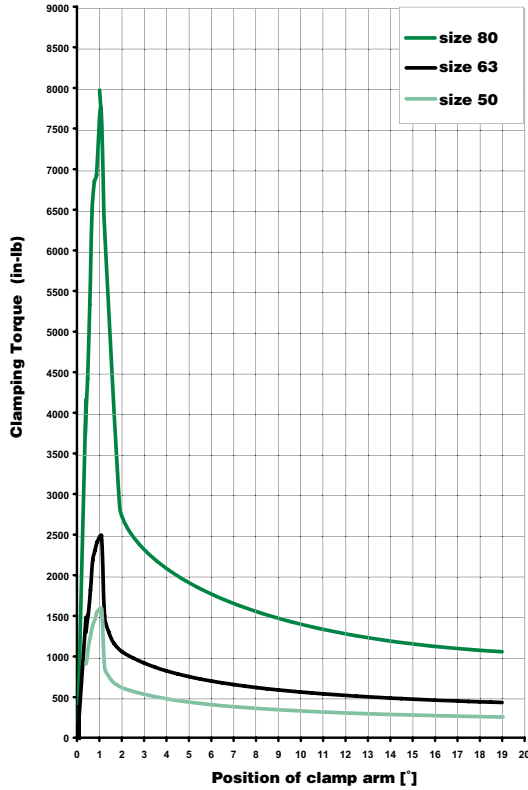




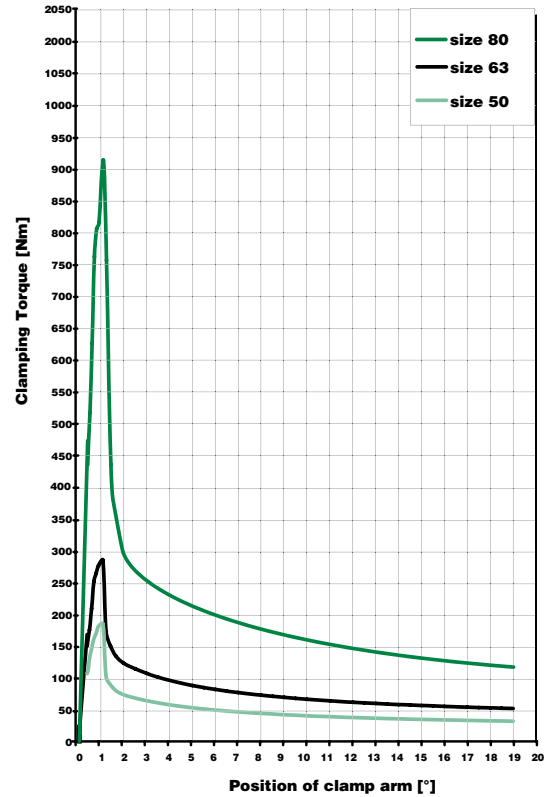
UNP Series Pneumatic Power Clamp

Maximum Clamping Torque

English
operating pressure : 60 PSI

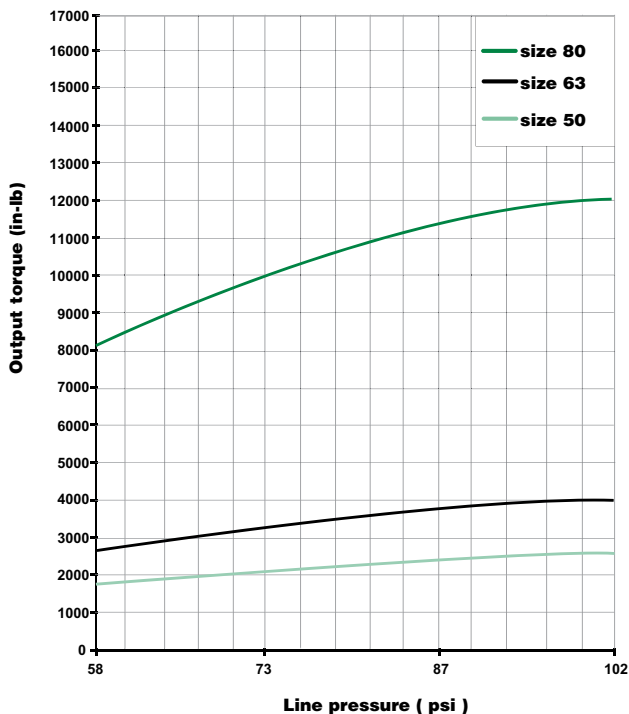


Metric
operating pressure : 4 bar

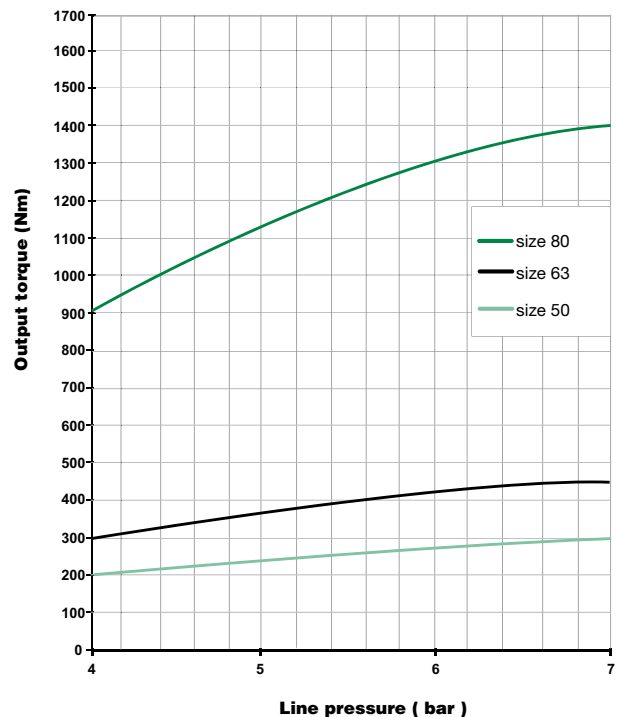


Maximum Output Torque

English

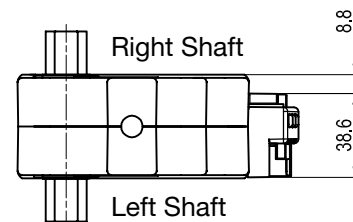
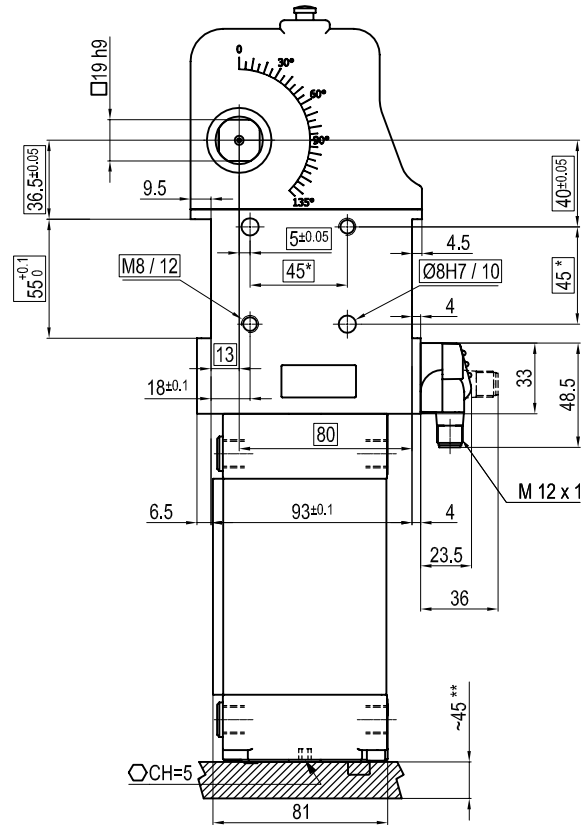
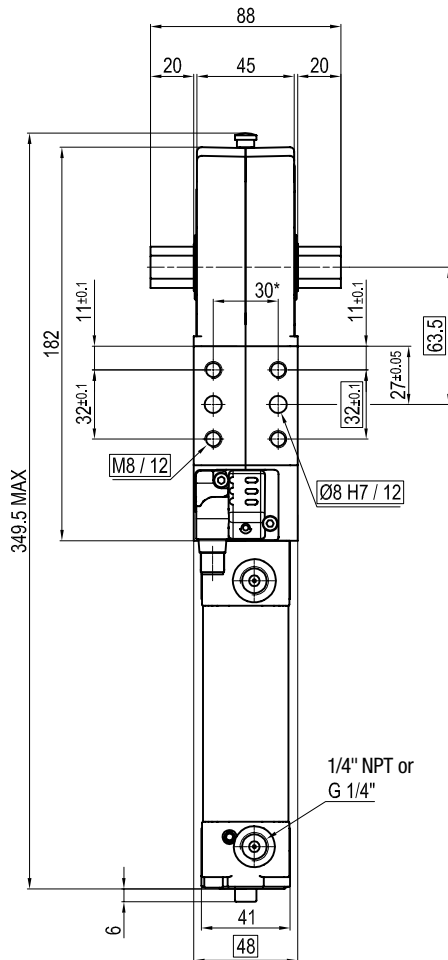


Metric





UNP50N_U Pneumatic Power Clamp

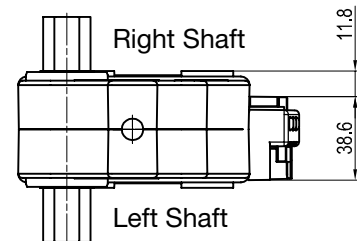
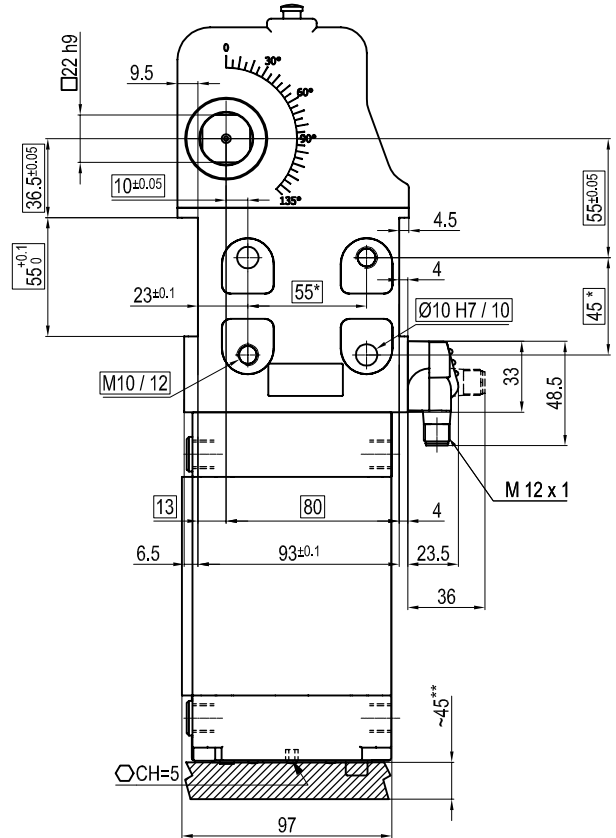
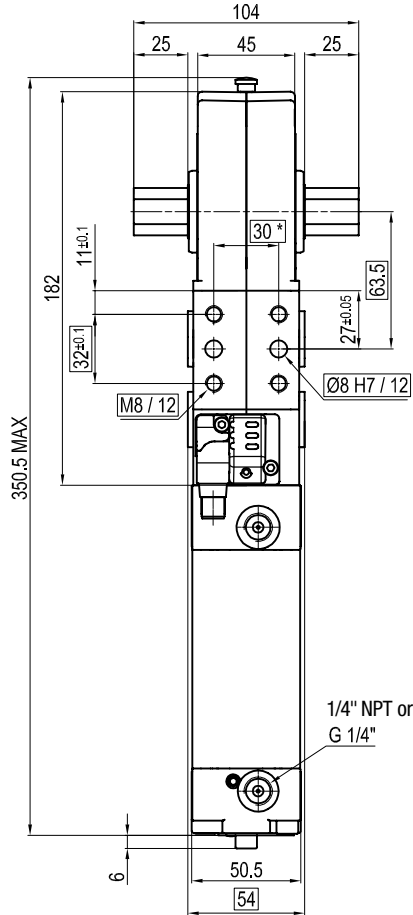


* : TOLERANCE BETWEEN DOWEL HOLES ± 0.02 , TO SCREW HOLES ± 0.1
 ** : AREA TO ACCESS ANGLE ADJUSTMENT



UNP Series Pneumatic Power Clamp

UNP63N_U Pneumatic Power Clamp

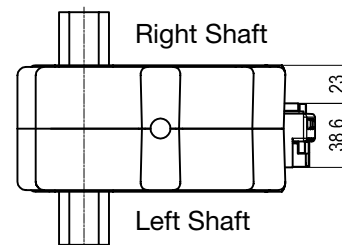
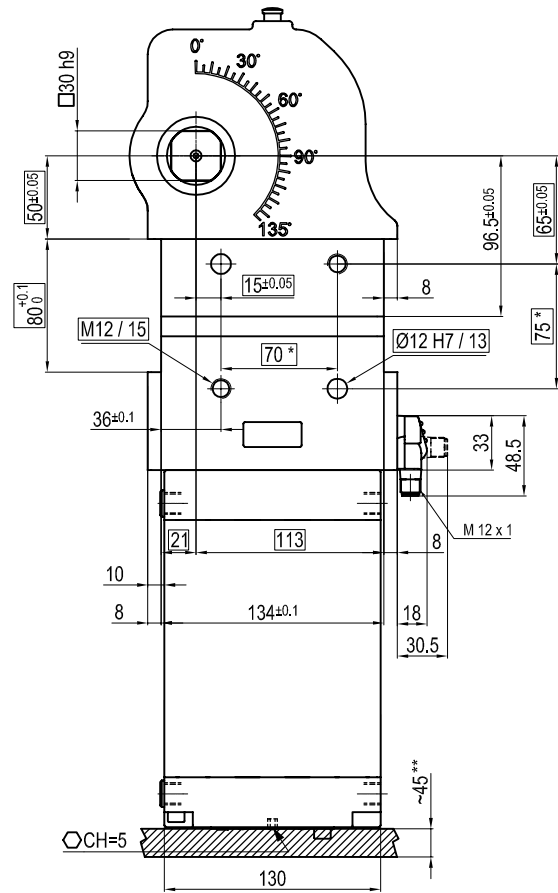
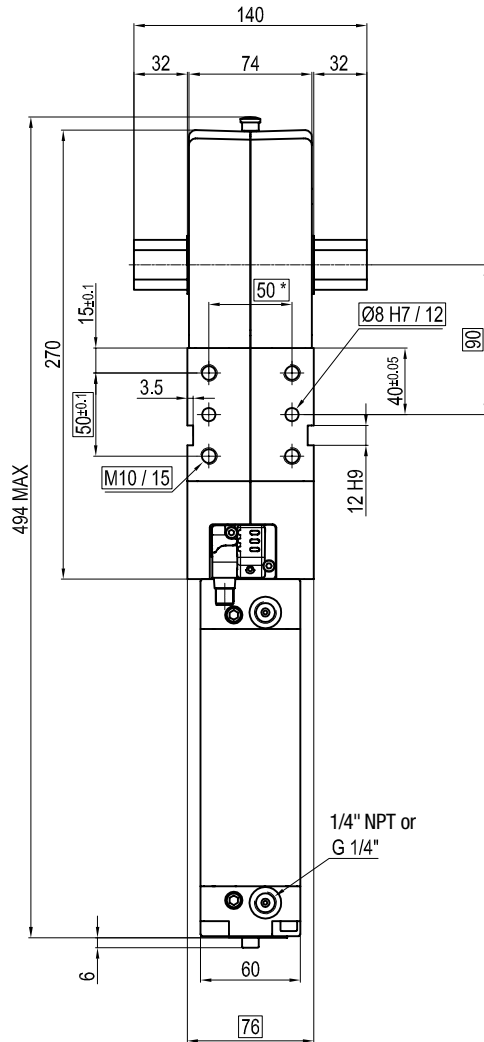


* : TOLERANCE BETWEEN DOWEL HOLES ± 0.02, TO SCREW HOLES ± 0.1

** : AREA TO ACCESS ANGLE ADJUSTMENT



UNP80N_U Pneumatic Power Clamp



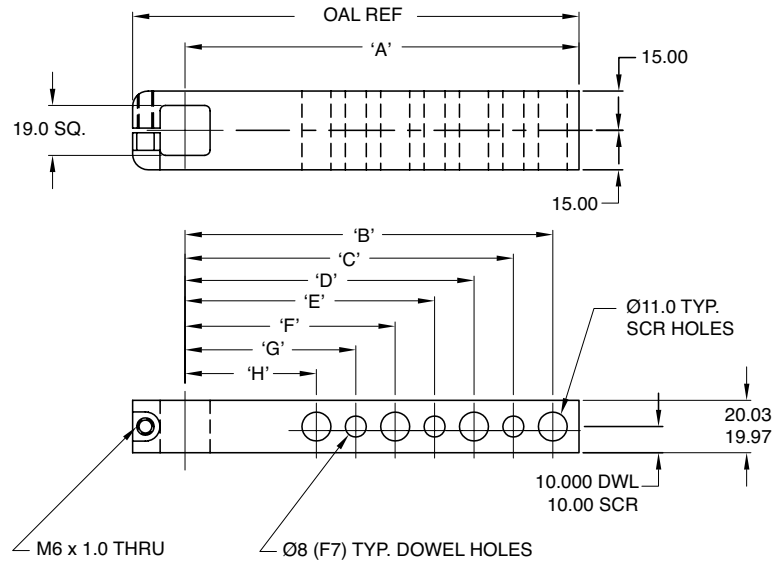
* : TOLERANCE BETWEEN DOWEL HOLES ± 0.02 , TO SCREW HOLES ± 0.1

** : AREA TO ACCESS ANGLE ADJUSTMENT



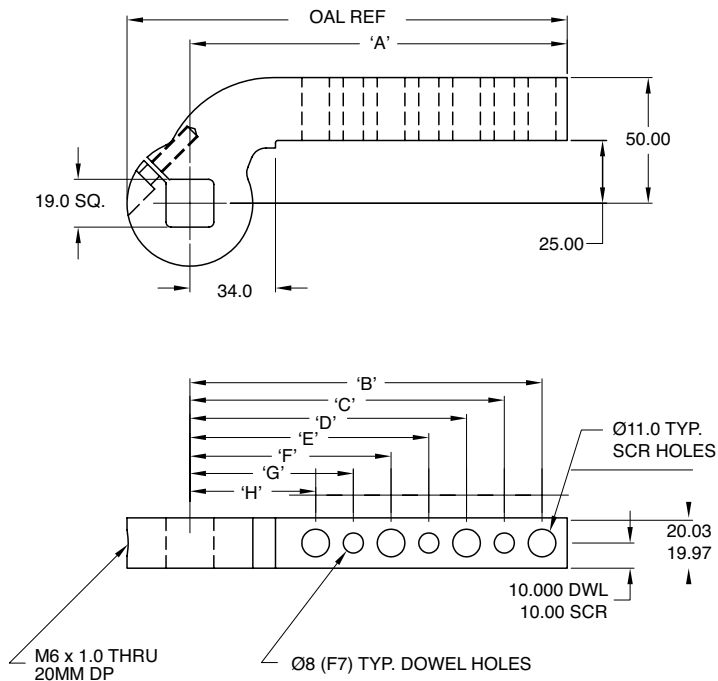
UNP Series Pneumatic Power Clamp

UNP50 - NAAMS Arm - Straight



PART NO.	NAAMS CODE	DIM 'A' +1.5/-0	DIM 'B'	DIM 'C'	DIM 'D'	DIM 'E'	DIM 'F'	DIM 'G'	DIM 'H'	OAL (REF)	WEIGHT Kg (lbs)
N206M	ACA206M	90.0	80.00	65.00	50.00					110.0	0.4 (0.9)
N207M	ACA207M	120.0	110.00	95.00	80.00	65.00	50.00			140.0	0.5 (1.1)
N208M	ACA208M	150.0	140.00	125.00	110.00	95.00	80.00	65.00	50.00	170.0	0.6 (1.3)

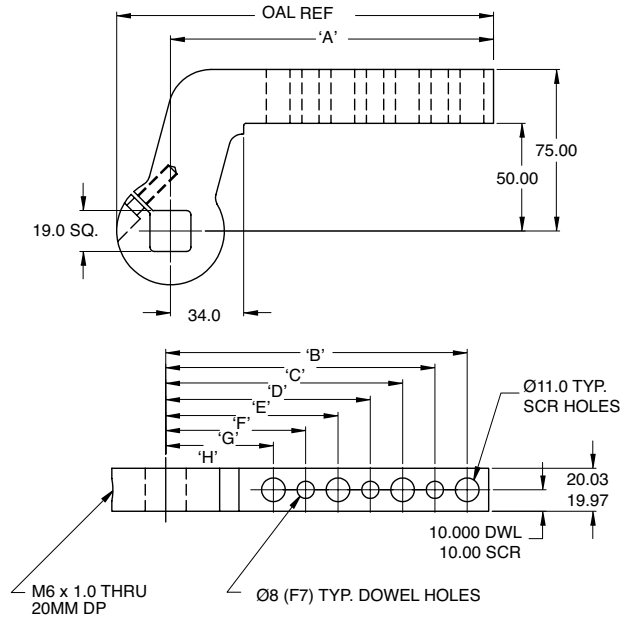
UNP50 - NAAMS Arm - 25mm Offset



PART NO.	NAAMS CODE	DIM 'A' +1.5/-0	DIM 'B'	DIM 'C'	DIM 'D'	DIM 'E'	DIM 'F'	DIM 'G'	DIM 'H'	OAL (REF)	WEIGHT Kg (lbs)
N216M	ACA216M	90.0	80.00	65.00	50.00					110.0	0.5 (1.1)
N217M	ACA217M	120.0	110.00	95.00	80.00	65.00	50.00			140.0	0.6 (1.3)
N218M	ACA218M	150.0	140.00	125.00	110.00	95.00	80.00	65.00	50.00	170.0	0.7 (1.5)

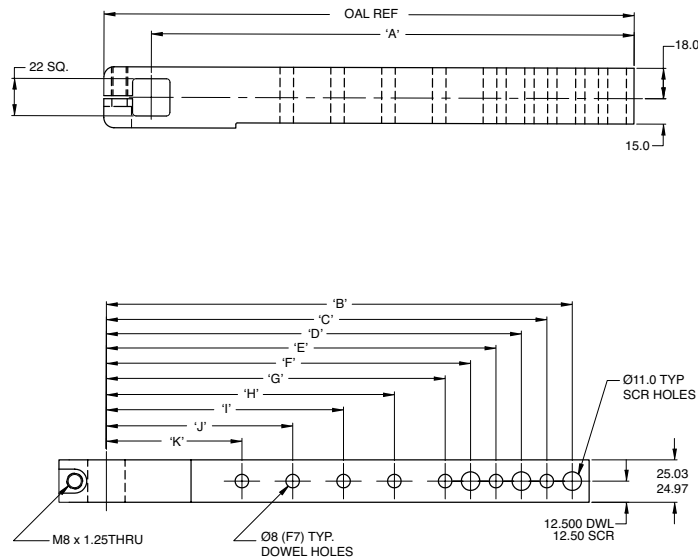


UNP50 - NAAMS Arm - 50mm Offset



PART NO.	NAAMS CODE	DIM 'A' +1.5/-0	DIM 'B'	DIM 'C'	DIM 'D'	DIM 'E'	DIM 'F'	DIM 'G'	DIM 'H'	OAL (REF)	WEIGHT Kg (lbs)
N226M	ACA226M	90.0	80.00	65.00	50.00					110.0	0.6 (1.3)
N227M	ACA227M	120.0	110.00	95.00	80.00	65.00	50.00			140.0	0.7 (1.5)
N228M	ACA228M	150.0	140.00	125.00	110.00	95.00	80.00	65.00	50.00	170.0	0.8 (1.7)

UNP63 - NAAMS Arm - Straight

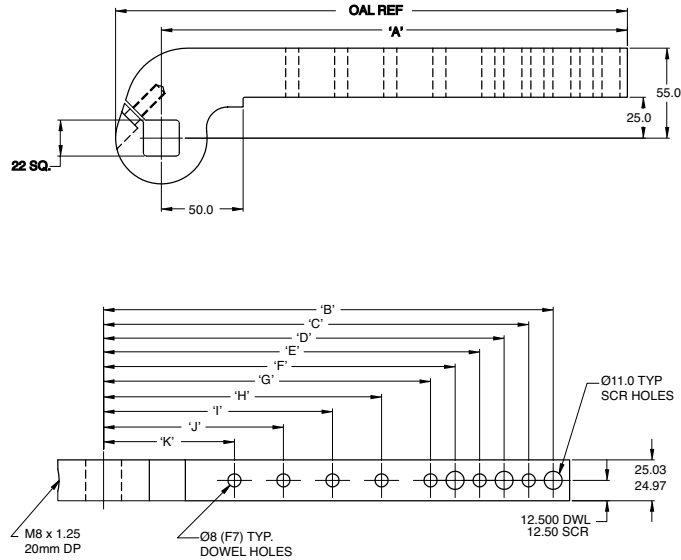


PART NO.	NAAMS CODE	DIM 'A' +1.5/-0	DIM 'B'	DIM 'C'	DIM 'D'	DIM 'E'	DIM 'F'	DIM 'G'	DIM 'H'	DIM 'I'	DIM 'J'	DIM 'K'	OAL (REF)	WEIGHT Kg (lbs)
N007M	ACA007M	135.0	125.00	110.00	95.00	80.00	65.00						163.0	1.2 (2.6)
N008M	ACA008M	165.0	155.00	140.00	125.00	110.00	95.00	80.00					193.0	1.4 (3.0)
N009M	ACA009M	195.0	185.00	170.00	155.00	140.00	125.00	110.00	80.00				223.0	1.6 (3.5)
N010M	ACA010M	225.0	215.00	200.00	185.00	170.00	155.00	140.00	110.00	80.00			253.0	1.9 (4.2)
N011M	ACA011M	255.0	245.00	230.00	215.00	200.00	185.00	170.00	140.00	110.00	80.00		283.0	2.1 (4.6)
N012M	ACA012M	285.0	275.00	260.00	245.00	230.00	215.00	200.00	170.00	140.00	110.00	80.00	313.0	2.3 (5.0)



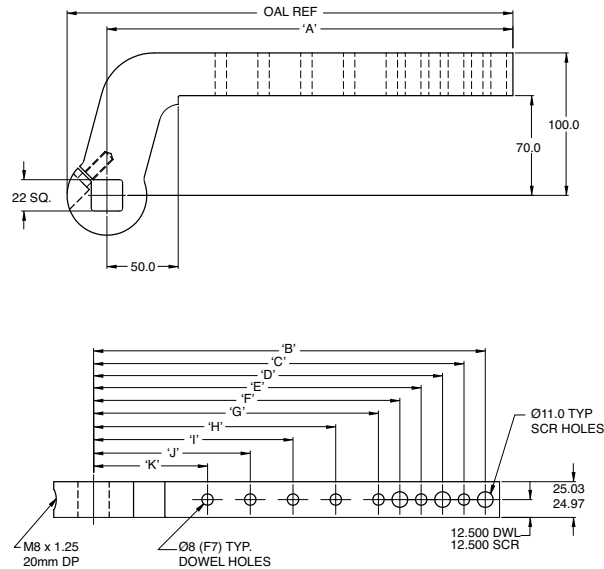
UNP Series Pneumatic Power Clamp

UNP63 - NAAMS Arm - 25mm Offset



PART NO.	NAAMS CODE	DIM 'A' +1.5/-0	DIM 'B'	DIM 'C'	DIM 'D'	DIM 'E'	DIM 'F'	DIM 'G'	DIM 'H'	DIM 'I'	DIM 'J'	DIM 'K'	OAL (REF)	WEIGHT Kg (lbs)
N019M	ACA019M	135.0	125.00	110.00	95.00	80.00	65.00						163.0	1.1 (2.4)
N020M	ACA020M	165.0	155.00	140.00	125.00	110.00	95.00	80.00					193.0	1.3 (2.8)
N021M	ACA021M	195.0	185.00	170.00	155.00	140.00	125.00	110.00	80.00				223.0	1.4 (3.0)
N022M	ACA022M	225.0	215.00	200.00	185.00	170.00	155.00	140.00	110.00	80.00			253.0	1.5 (3.3)
N023M	ACA023M	255.0	245.00	230.00	215.00	200.00	185.00	170.00	140.00	110.00	80.00		283.0	1.6 (3.5)
N024M	ACA024M	285.0	275.00	260.00	245.00	230.00	215.00	200.00	170.00	140.00	110.00	80.00	313.0	1.9 (4.2)

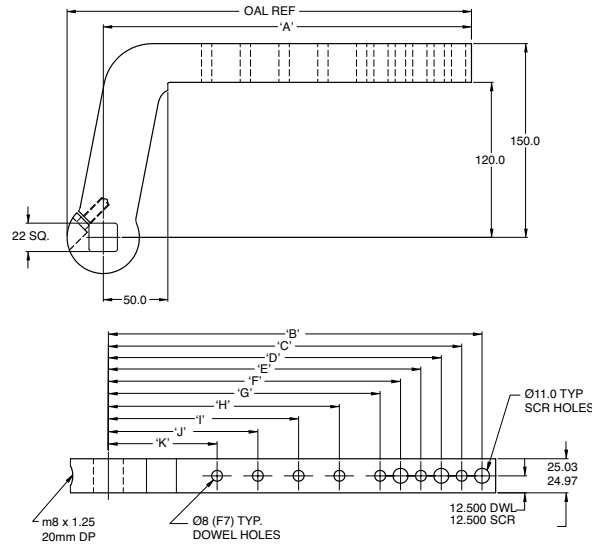
UNP63 - NAAMS Arm - 70mm Offset



PART NO.	NAAMS CODE	DIM 'A' +1.5/-0	DIM 'B'	DIM 'C'	DIM 'D'	DIM 'E'	DIM 'F'	DIM 'G'	DIM 'H'	DIM 'I'	DIM 'J'	DIM 'K'	OAL (REF)	WEIGHT Kg (lbs)
N031M	ACA031M	135.0	125.00	110.00	95.00	80.00	65.00						163.0	1.5 (3.3)
N032M	ACA032M	165.0	155.00	140.00	125.00	110.00	95.00	80.00					193.0	1.7 (3.7)
N033M	ACA033M	195.0	185.00	170.00	155.00	140.00	125.00	110.00	80.00				223.0	1.7 (3.7)
N034M	ACA034M	225.0	215.00	200.00	185.00	170.00	155.00	140.00	110.00	80.00			253.0	1.9 (4.2)
N035M	ACA035M	255.0	245.00	230.00	215.00	200.00	185.00	170.00	140.00	110.00	80.00		283.0	2.0 (4.4)
N036M	ACA036M	285.0	275.00	260.00	245.00	230.00	215.00	200.00	170.00	140.00	110.00	80.00	313.0	2.2 (4.8)

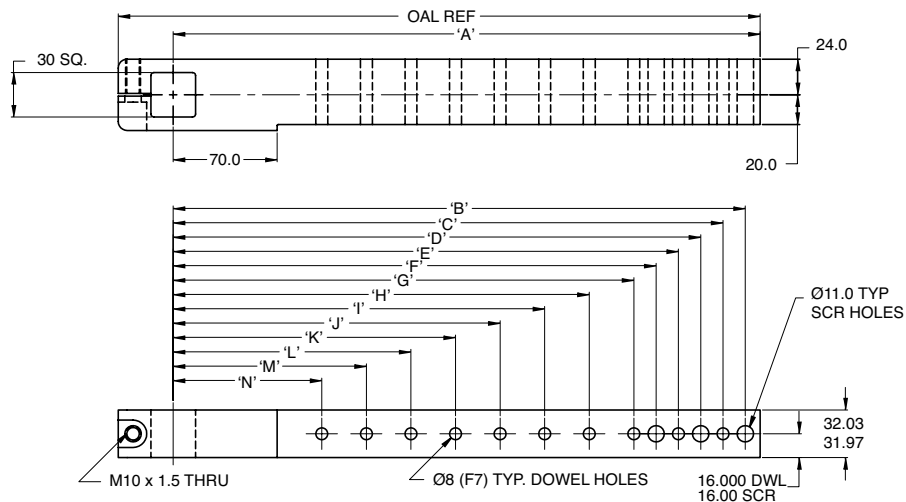


UNP63 - NAAMS Arm - 120mm Offset



PART NO.	NAAMS CODE	DIM 'A' +1.5/-0	DIM 'B'	DIM 'C'	DIM 'D'	DIM 'E'	DIM 'F'	DIM 'G'	DIM 'H'	DIM 'I'	DIM 'J'	DIM 'K'	OAL (REF)	WEIGHT Kg (lbs)
N043M	ACA043M	135.0	125.00	110.00	95.00	80.00	65.00						163.0	1.9 (4.2)
N044M	ACA044M	165.0	155.00	140.00	125.00	110.00	95.00	80.00					193.0	2.0 (4.4)
N045M	ACA045M	195.0	185.00	170.00	155.00	140.00	125.00	110.00	80.00				223.0	2.1 (4.6)
N046M	ACA046M	225.0	215.00	200.00	185.00	170.00	155.00	140.00	110.00	80.00			253.0	2.2 (4.8)
N047M	ACA047M	255.0	245.00	230.00	215.00	200.00	185.00	170.00	140.00	110.00	80.00		283.0	2.4 (5.3)
N048M	ACA048M	285.0	275.00	260.00	245.00	230.00	215.00	200.00	170.00	140.00	110.00	80.00	313.0	2.6 (5.7)

UNP80 - NAAMS Arm - Straight

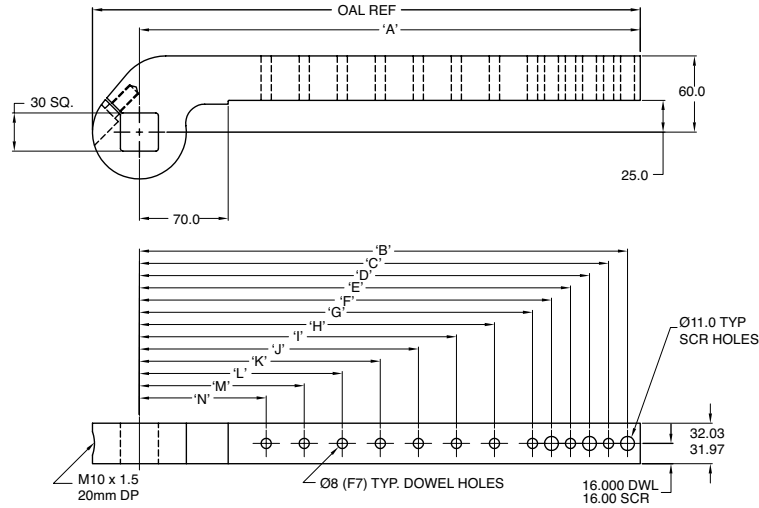


PART NO.	NAAMS CODE	DIM 'A' +1.5/-0	DIM 'B'	DIM 'C'	DIM 'D'	DIM 'E'	DIM 'F'	DIM 'G'	DIM 'H'	DIM 'I'	DIM 'J'	DIM 'K'	DIM 'L'	DIM 'M'	DIM 'N'	OAL (REF)	WEIGHT Kg (lbs)
N110M	ACA110M	155.0	145.00	130.00	115.00	100.00	85.00									192.0	1.9 (4.2)
N111M	ACA111M	185.0	175.00	160.00	145.00	130.00	115.00	100.00								222.0	2.2 (4.8)
N112M	ACA112M	215.0	205.00	190.00	175.00	160.00	145.00	130.00	100.00							252.0	2.5 (5.5)
N113M	ACA113M	245.0	235.00	220.00	205.00	190.00	175.00	160.00	130.00	100.00						282.0	2.8 (6.2)
N114M	ACA114M	275.0	265.00	250.00	235.00	220.00	205.00	190.00	160.00	130.00	100.00					312.0	3.1 (6.8)
N115M	ACA115M	305.0	295.00	280.00	265.00	250.00	235.00	220.00	190.00	160.00	130.00	100.00				342.0	3.4 (7.5)
N116M	ACA116M	335.0	325.00	310.00	295.00	280.00	265.00	250.00	220.00	190.00	160.00	130.00	100.00			372.0	3.8 (8.4)
N117M	ACA117M	365.0	355.00	340.00	325.00	310.00	295.00	280.00	250.00	220.00	190.00	160.00	130.00	100.00		402.0	4.1 (9.0)
N118M	ACA118M	395.0	385.00	370.00	355.00	340.00	325.00	310.00	280.00	250.00	220.00	190.00	160.00	130.00	100.00	432.0	4.4 (9.7)



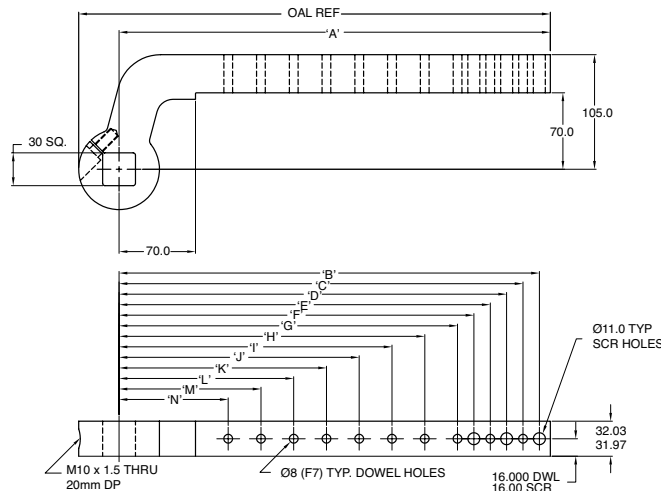
UNP Series Pneumatic Power Clamp

UNP80 - NAAMS Arm - 25mm Offset



PART NO.	NAAMS CODE	DIM 'A' +1.5/-0	DIM 'B'	DIM 'C'	DIM 'D'	DIM 'E'	DIM 'F'	DIM 'G'	DIM 'H'	DIM 'I'	DIM 'J'	DIM 'K'	DIM 'L'	DIM 'M'	DIM 'N'	OAL (REF)	WEIGHT Kg (lbs)
N130M	ACA130M	155.0	145.00	130.00	115.00	100.00	85.00									192.0	2.1 (4.6)
N131M	ACA131M	185.0	175.00	160.00	145.00	130.00	115.00	100.00								222.0	2.3 (5.0)
N132M	ACA132M	215.0	205.00	190.00	175.00	160.00	145.00	130.00	100.00							252.0	2.6 (5.7)
N133M	ACA133M	245.0	235.00	220.00	205.00	190.00	175.00	160.00	130.00	100.00						282.0	2.8 (6.2)
N134M	ACA134M	275.0	265.00	250.00	235.00	220.00	205.00	190.00	160.00	130.00	100.00					312.0	3.1 (6.8)
N135M	ACA135M	305.0	295.00	280.00	265.00	250.00	235.00	220.00	190.00	160.00	130.00	100.00				342.0	3.3 (7.3)
N136M	ACA136M	335.0	325.00	310.00	295.00	280.00	265.00	250.00	220.00	190.00	160.00	130.00	100.00			372.0	3.6 (7.9)
N137M	ACA137M	365.0	355.00	340.00	325.00	310.00	295.00	280.00	250.00	220.00	190.00	160.00	130.00	100.00		402.0	3.8 (8.4)
N138M	ACA138M	395.0	385.00	370.00	355.00	340.00	325.00	310.00	280.00	250.00	220.00	190.00	160.00	130.00	100.00	432.0	4.1 (9.0)

UNP80 - NAAMS Arm - 70mm Offset

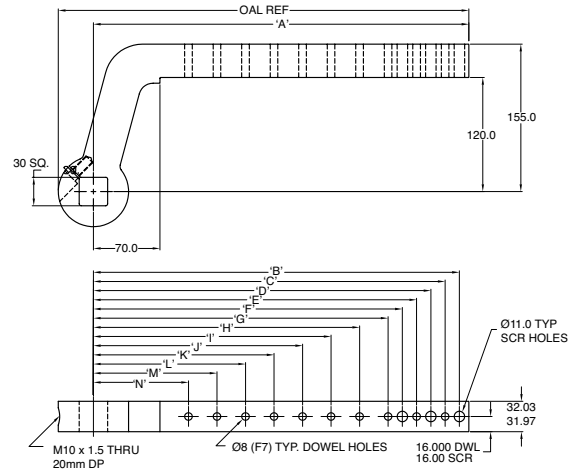


PART NO.	NAAMS CODE	DIM 'A' +1.5/-0	DIM 'B'	DIM 'C'	DIM 'D'	DIM 'E'	DIM 'F'	DIM 'G'	DIM 'H'	DIM 'I'	DIM 'J'	DIM 'K'	DIM 'L'	DIM 'M'	DIM 'N'	OAL (REF)	WEIGHT Kg (lbs)
N150M	ACA150M	155.0	145.00	130.00	115.00	100.00	85.00									192.0	2.4 (5.3)
N151M	ACA151M	185.0	175.00	160.00	145.00	130.00	115.00	100.00								222.0	2.6 (5.7)
N152M	ACA152M	215.0	205.00	190.00	175.00	160.00	145.00	130.00	100.00							252.0	2.9 (6.4)
N153M	ACA153M	245.0	235.00	220.00	205.00	190.00	175.00	160.00	130.00	100.00						282.0	3.1 (6.8)
N154M	ACA154M	275.0	265.00	250.00	235.00	220.00	205.00	190.00	160.00	130.00	100.00					312.0	3.4 (7.5)
N155M	ACA155M	305.0	295.00	280.00	265.00	250.00	235.00	220.00	190.00	160.00	130.00	100.00				342.0	3.6 (7.9)
N156M	ACA156M	335.0	325.00	310.00	295.00	280.00	265.00	250.00	220.00	190.00	160.00	130.00	100.00			372.0	3.9 (8.6)
N157M	ACA157M	365.0	355.00	340.00	325.00	310.00	295.00	280.00	250.00	220.00	190.00	160.00	130.00	100.00		402.0	4.1 (9.0)
N158M	ACA158M	395.0	385.00	370.00	355.00	340.00	325.00	310.00	280.00	250.00	220.00	190.00	160.00	130.00	100.00	432.0	4.4 (9.7)



UNP Series Pneumatic Power Clamp

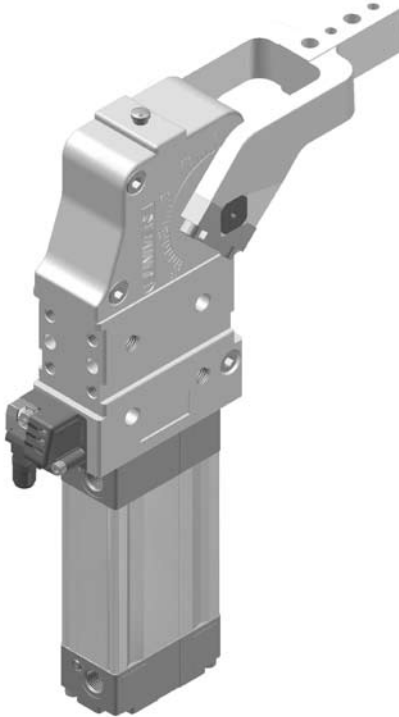
UNP80 - NAAMS Arm - 120mm Offset



PART NO.	NAAMS CODE	DIM 'A' +1.5/-0	DIM 'B'	DIM 'C'	DIM 'D'	DIM 'E'	DIM 'F'	DIM 'G'	DIM 'H'	DIM 'I'	DIM 'J'	DIM 'K'	DIM 'L'	DIM 'M'	DIM 'N'	OAL (REF)	WEIGHT Kg (lbs)
N170M	ACA170M	155.0	145.00	130.00	115.00	100.00	85.00									192.0	2.8 (6.2)
N171M	ACA171M	185.0	175.00	160.00	145.00	130.00	115.00	100.00								222.0	3.0 (6.6)
N172M	ACA172M	215.0	205.00	190.00	175.00	160.00	145.00	130.00	100.00							252.0	3.3 (7.3)
N173M	ACA173M	245.0	235.00	220.00	205.00	190.00	175.00	160.00	130.00	100.00						282.0	3.5 (7.7)
N174M	ACA174M	275.0	265.00	250.00	235.00	220.00	205.00	190.00	160.00	130.00	100.00					312.0	3.8 (8.4)
N175M	ACA175M	305.0	295.00	280.00	265.00	250.00	235.00	220.00	190.00	160.00	130.00	100.00				342.0	4.0 (8.8)
N176M	ACA176M	335.0	325.00	310.00	295.00	280.00	265.00	250.00	220.00	190.00	160.00	130.00	100.00			372.0	4.3 (9.5)
N177M	ACA177M	365.0	355.00	340.00	325.00	310.00	295.00	280.00	250.00	220.00	190.00	160.00	130.00	100.00		402.0	4.5 (9.9)
N178M	ACA178M	395.0	385.00	370.00	355.00	340.00	325.00	310.00	280.00	250.00	220.00	190.00	160.00	130.00	100.00	432.0	4.8 (10.6)



UBP Series Pneumatic Power Clamp



Features

- Blade and foot mounting
- Fully adjustable opening angle
- Opening angle can be set with or without air pressure
- Unique linkage design ensures positional repeatability
- Linear and rotary motion guided by roller bearings
- Remains locked in closed position even when air pressure is removed
- Pneumatic ports on both sides of the cylinder
- Manual release button to open mechanism when air pressure is removed
- Unique “programmable” all metal sensor with M12 swivel connector

General Specifications

Weight:

UBP40: 1.7 Kg (3.7 lbs)

UBP50: 3.2 Kg (7.1 lbs)

UBP63: 3.6 Kg (7.9 lbs)

UBP80: 11.5 Kg (25.4 lbs)

Operating Pressure:

Minimum: 2.75 Bar (40 PSI)

Maximum: 8 Bar (115 PSI)

Operating Temperature: 5° to 45° C (40° to 113°F)

Class Protection: IP65

Opening Angles:

UBP40: Fully adjustable from 0° to 125°

UBP50, 63, 80: Fully adjustable from 0° to 135°

Holding Capacity:

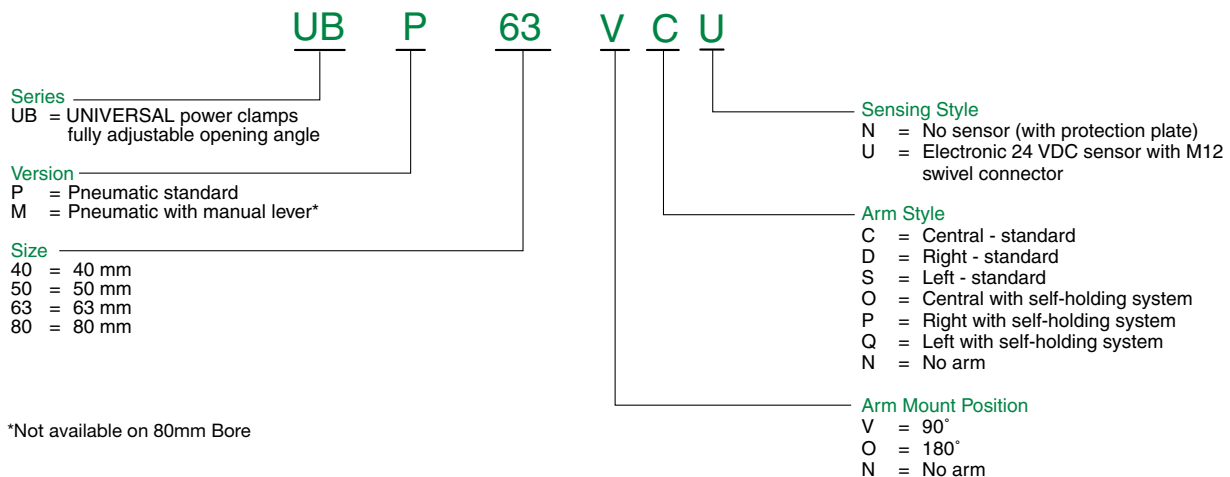
UBP40: 600 Nm (5310 in-lbs)

UBP50: 1250 Nm (11063 in-lbs)

UBP63: 1750 Nm (15488 in-lbs)

UBP80: 4000 Nm (35402 in-lbs)

How to Order

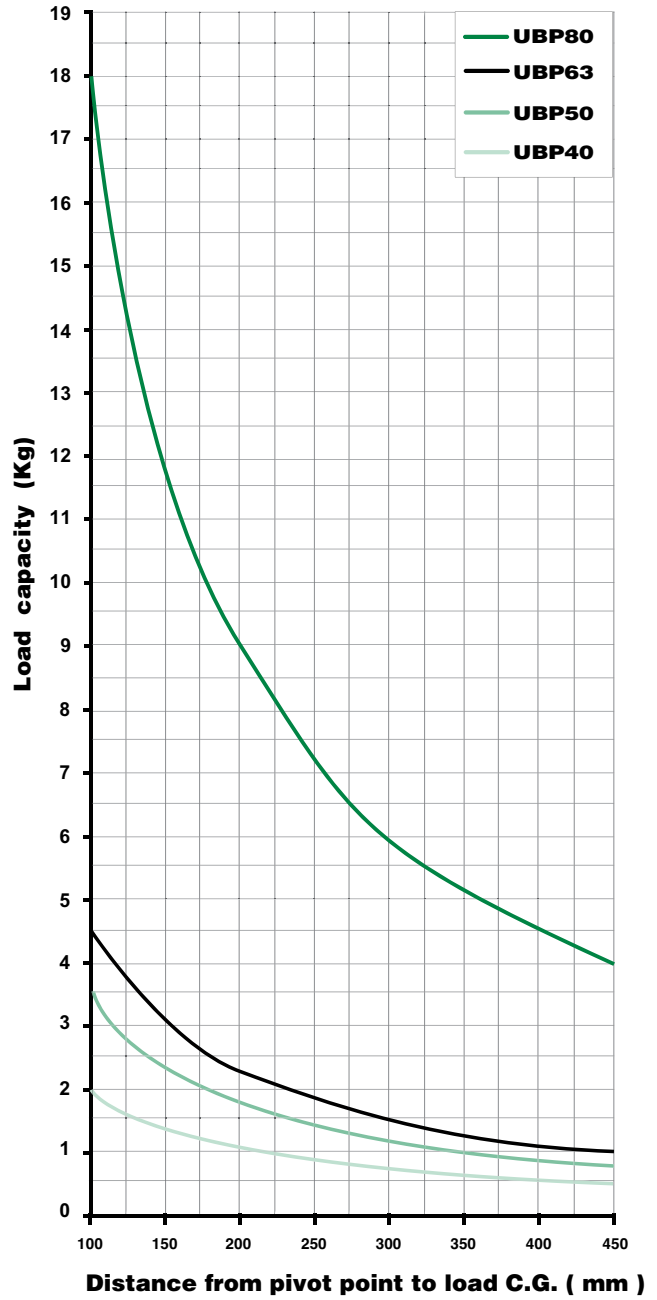
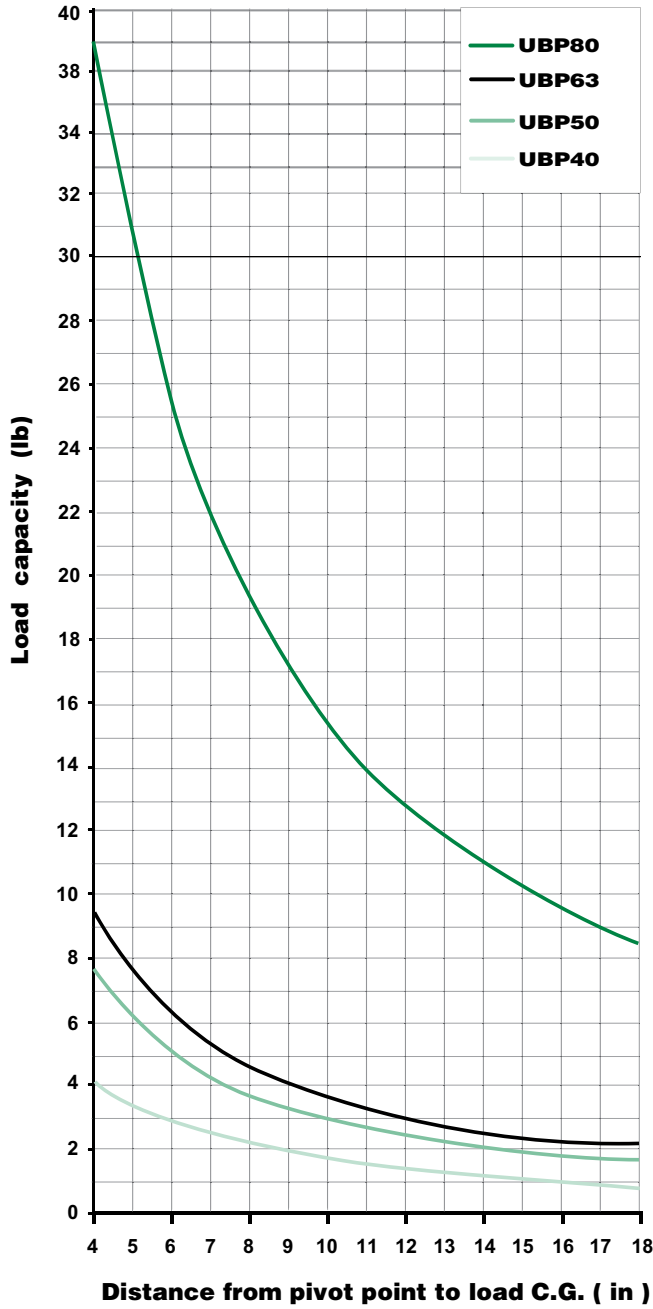




Maximum Applicable Load

English
operating pressure : 70 PSI

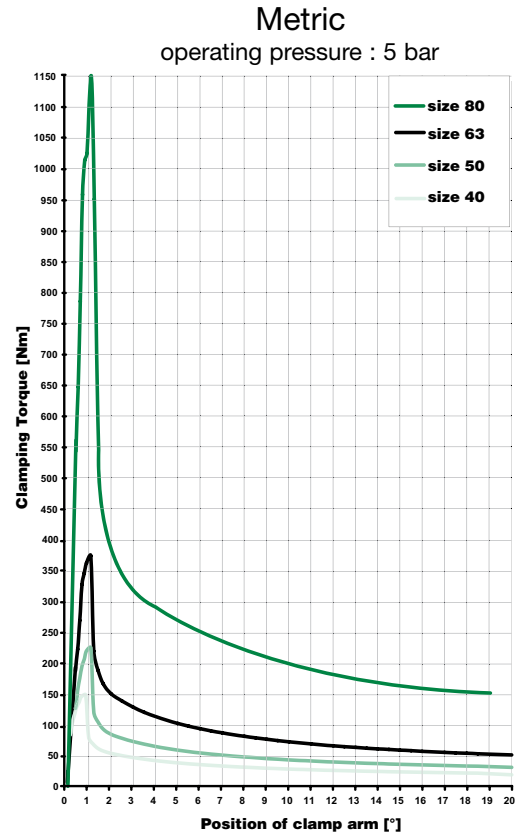
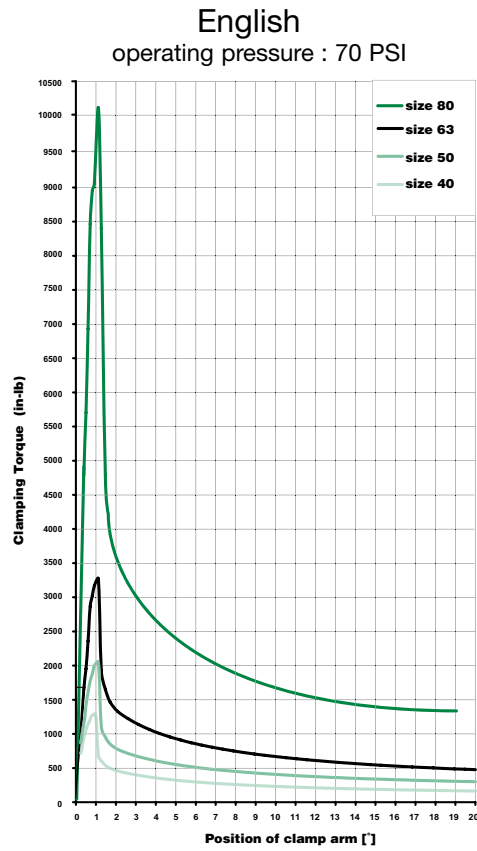
Metric
operating pressure : 5 bar



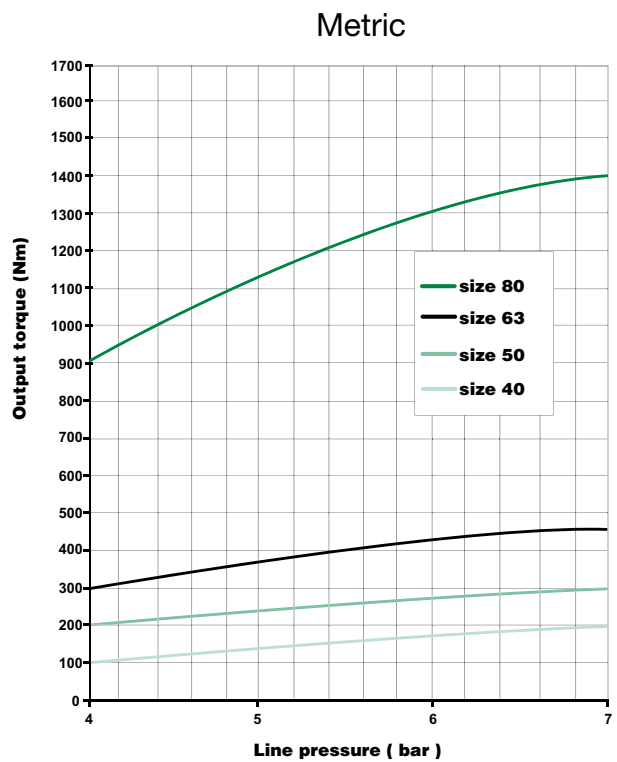
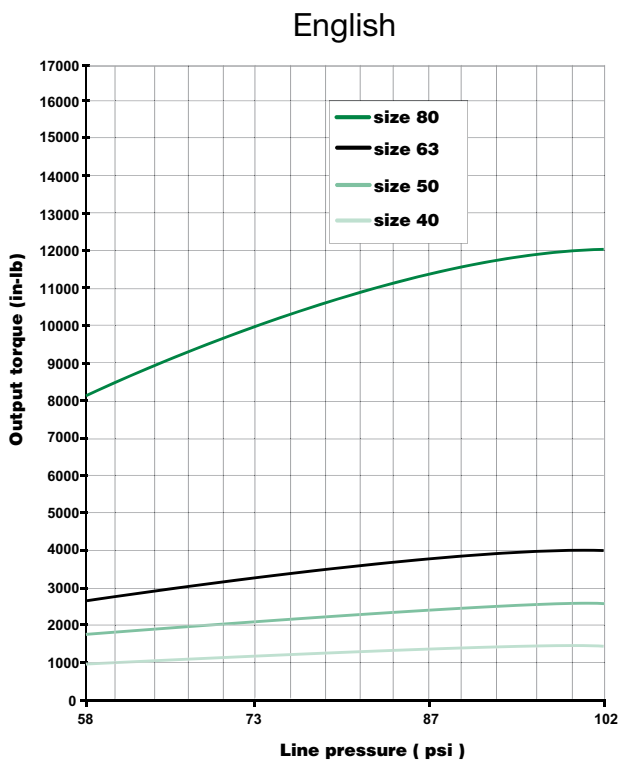


UBP Series Pneumatic Power Clamp

Maximum Clamping Torque

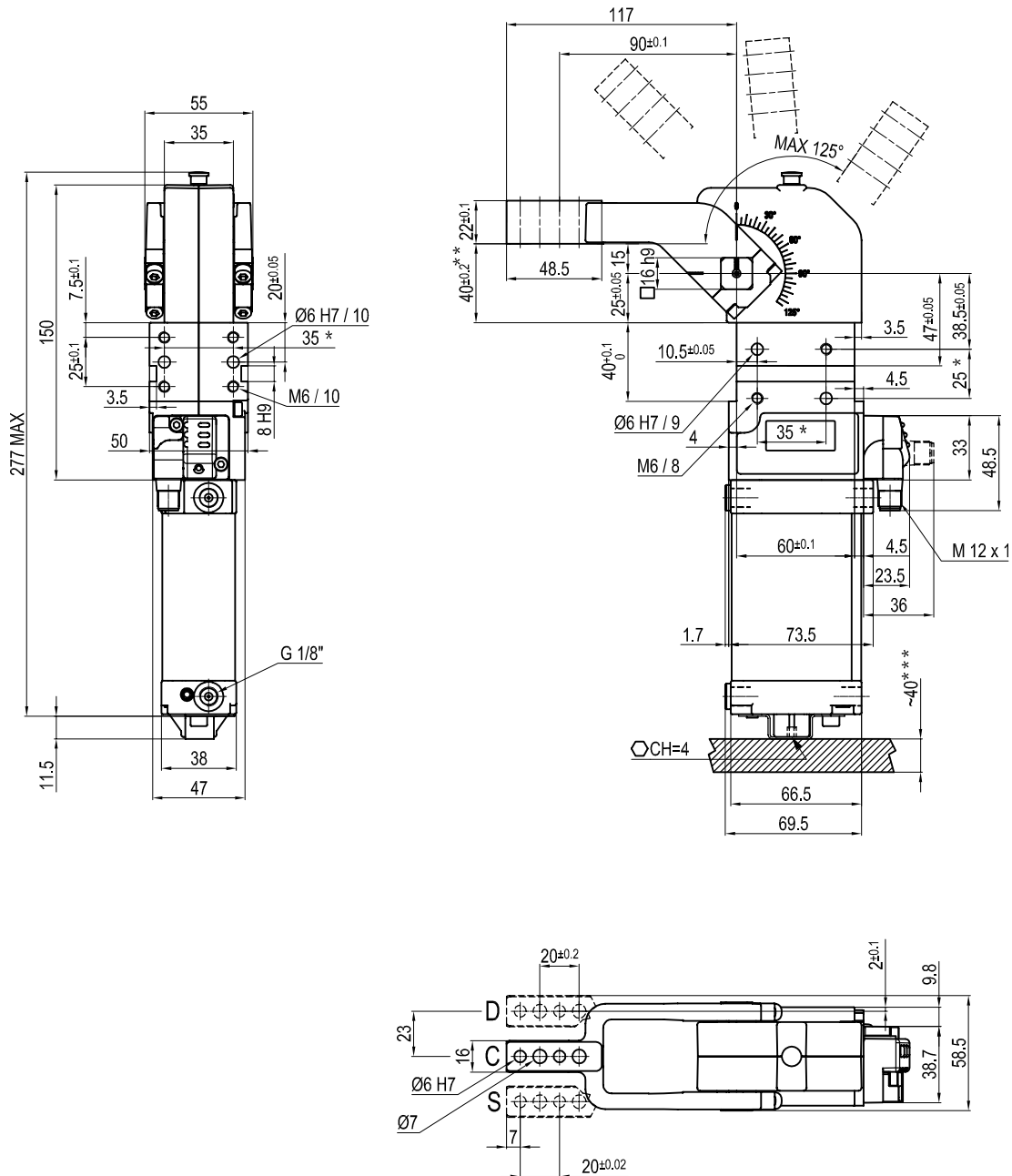


Maximum Output Torque





UBP40V_U Pneumatic Power Clamp



* : TOLERANCE BETWEEN DOWELS ± 0.02, TO SCREW HOLES ± 0.1

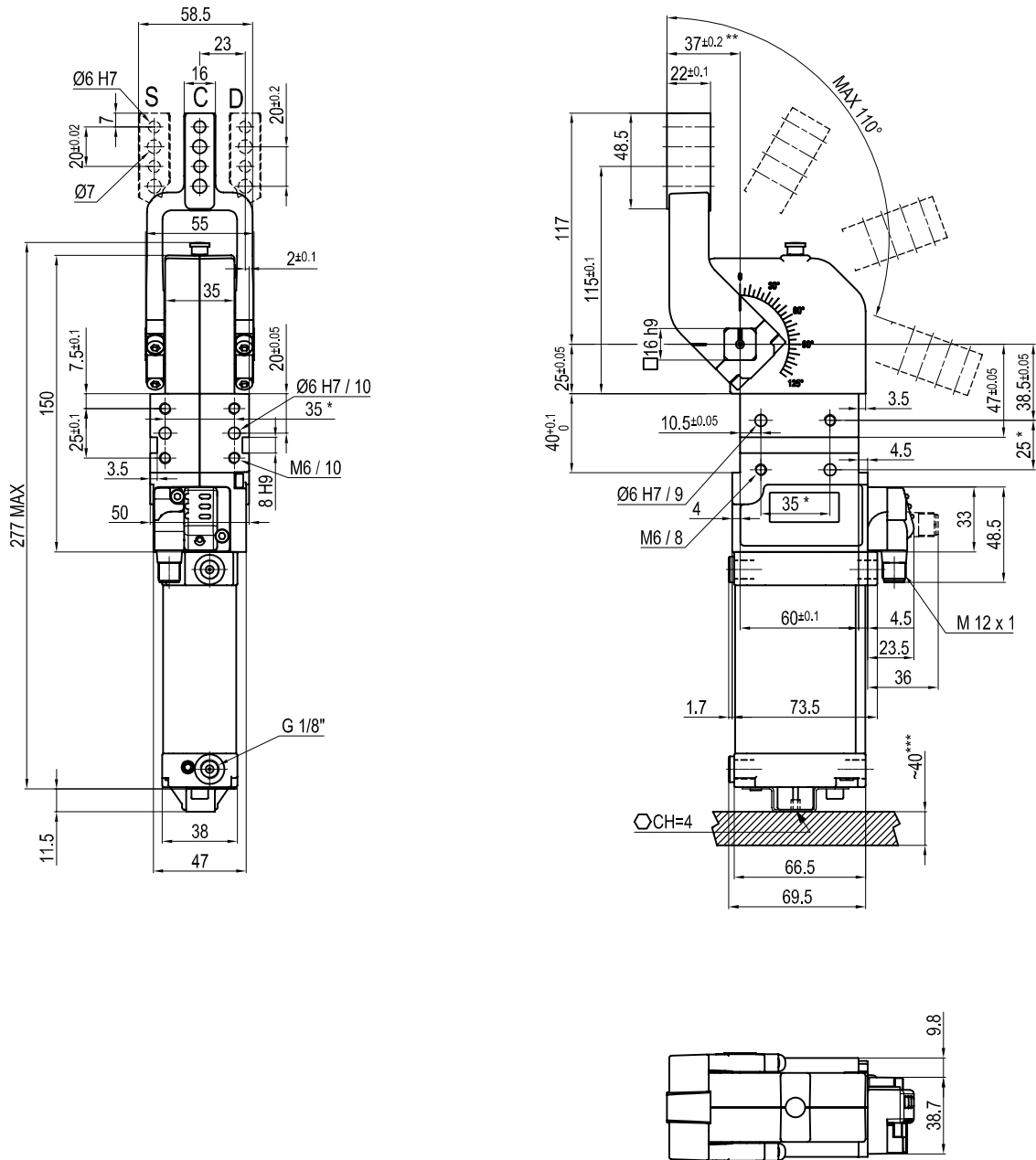
** : TOLERANCE AT 80mm FROM PIVOT POINT

*** : AREA TO ACCESS ANGLE ADJUSTMENT



UBP Series Pneumatic Power Clamp

UBP400_U Pneumatic Power Clamp



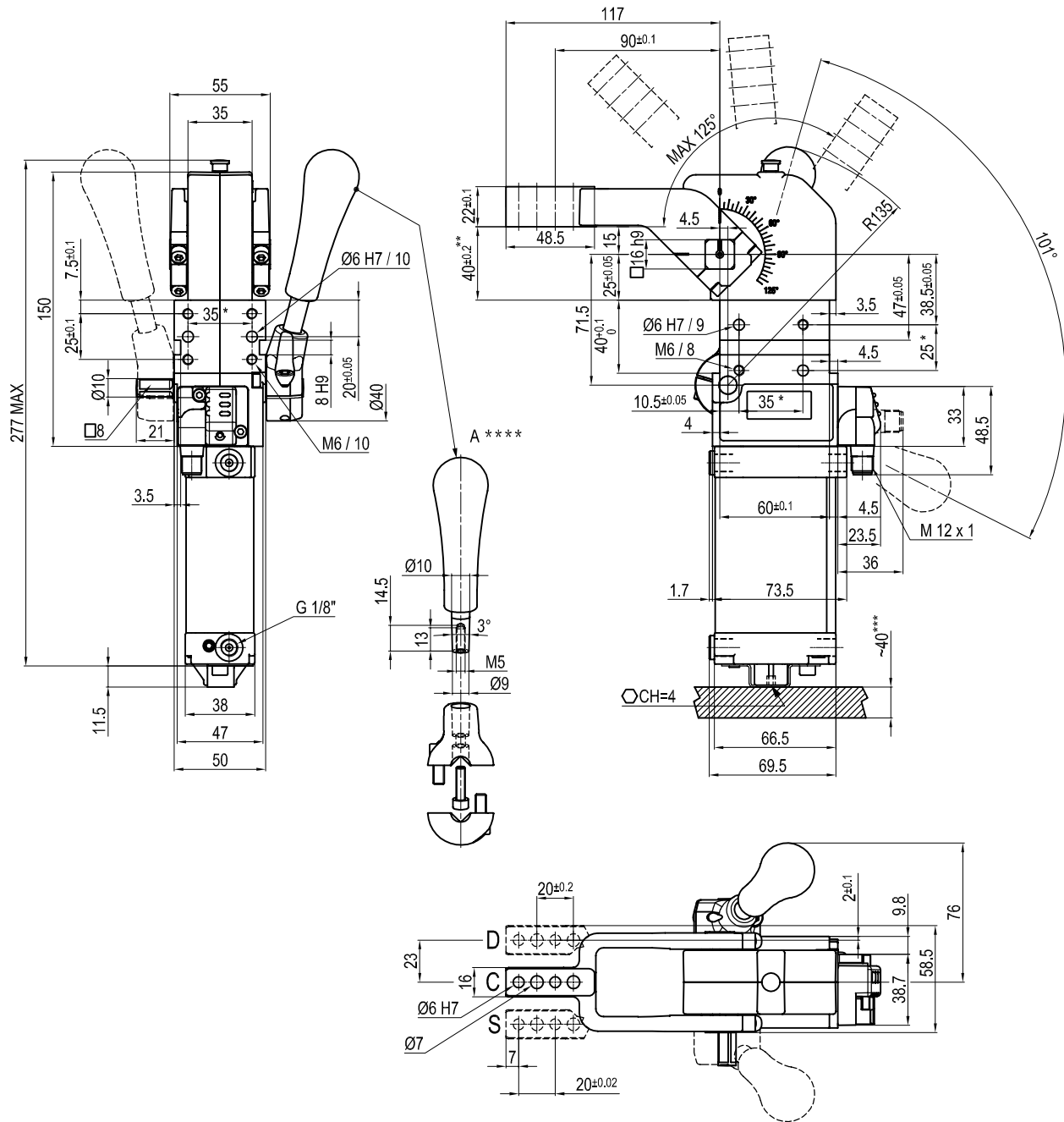
* : TOLERANCE BETWEEN DOWELS ± 0.02, TO SCREW HOLES ± 0.1

** : TOLERANCE AT 80mm FROM PIVOT POINT

*** : AREA TO ACCESS ANGLE ADJUSTMENT



UBM40V_U Pneumatic Power Clamp with Manual Lever



* : TOLERANCE BETWEEN DOWELS ± 0.02, TO SCREW HOLES ± 0.1

** : TOLERANCE AT 80mm FROM PIVOT POINT

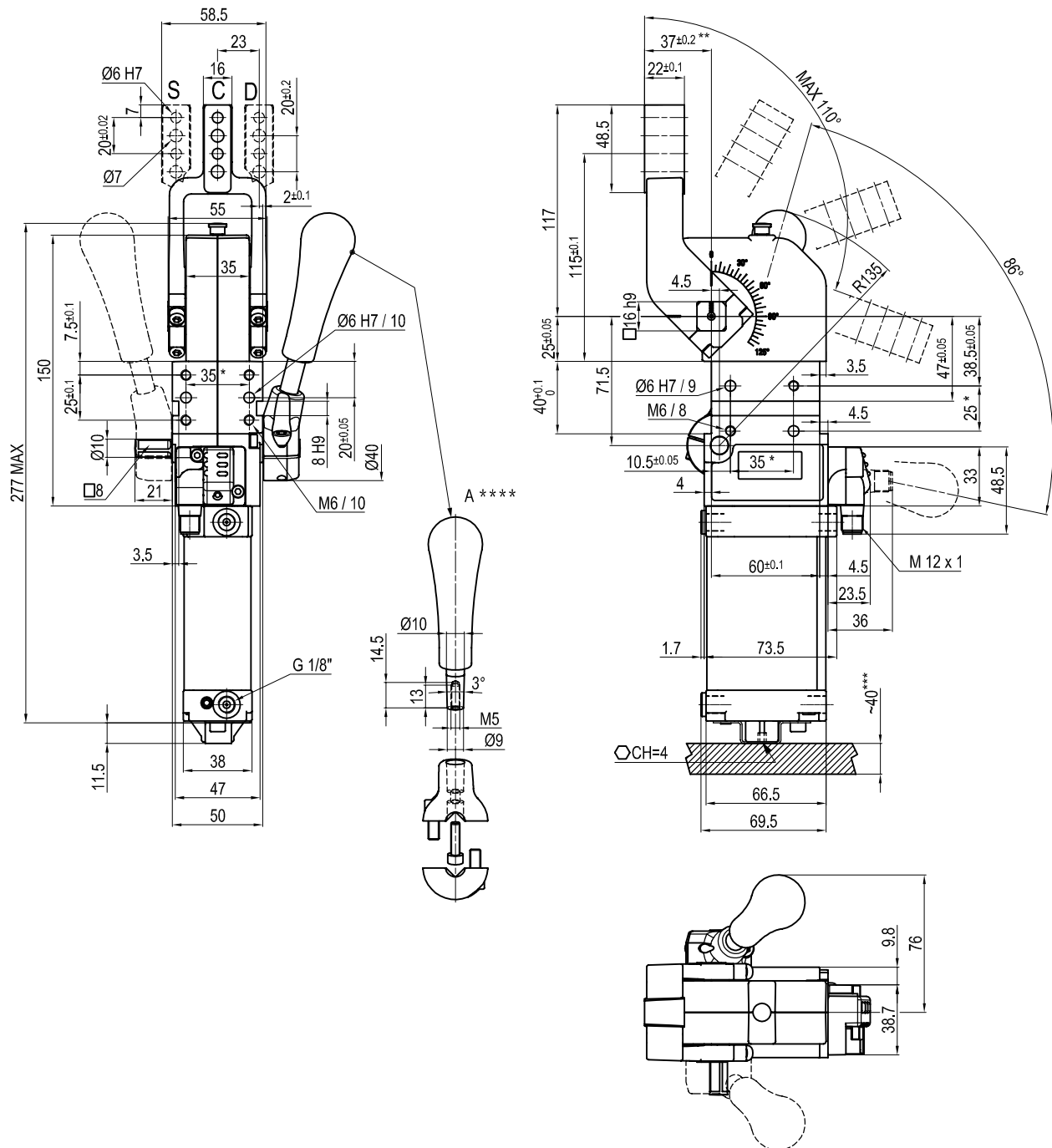
*** : AREA TO ACCESS ANGLE ADJUSTMENT

**** : DIMENSIONS TO BE RESPECTED IN CASE OTHER MANUAL LEVERS ARE USED



UBP Series Pneumatic Power Clamp

UBM400_U Pneumatic Power Clamp with Manual Lever



* : TOLERANCE BETWEEN DOWELS ± 0.02 , TO SCREW HOLES ± 0.1

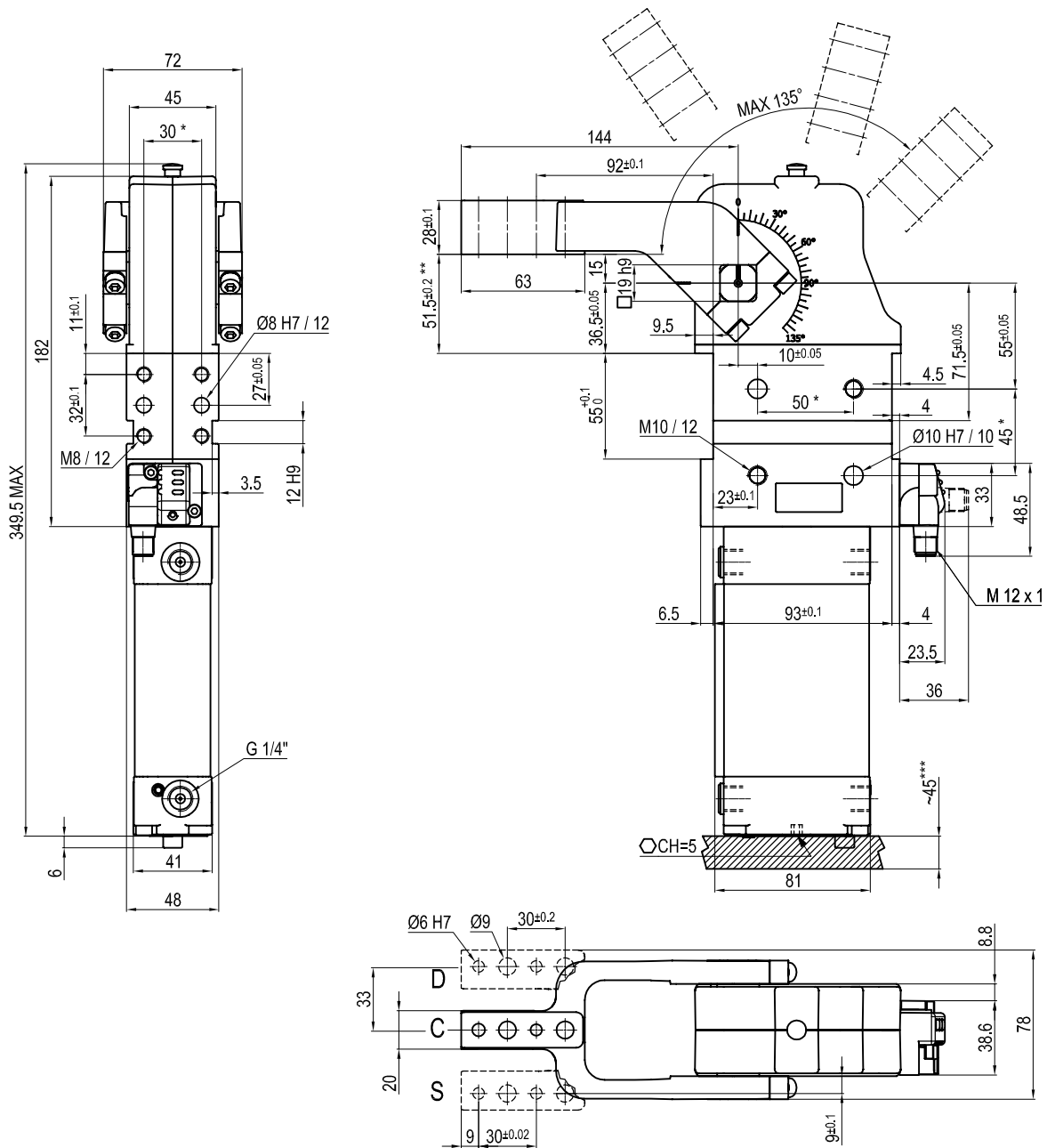
** : TOLERANCE AT 80mm FROM PIVOT POINT

*** : AREA TO ACCESS ANGLE ADJUSTMENT

**** : DIMENSIONS TO BE RESPECTED IN CASE OTHER MANUAL LEVERS ARE USED



UBP50V_U Pneumatic Power Clamp



* : TOLERANCE BETWEEN DOWELS ± 0.02, TO SCREW HOLES ± 0.1

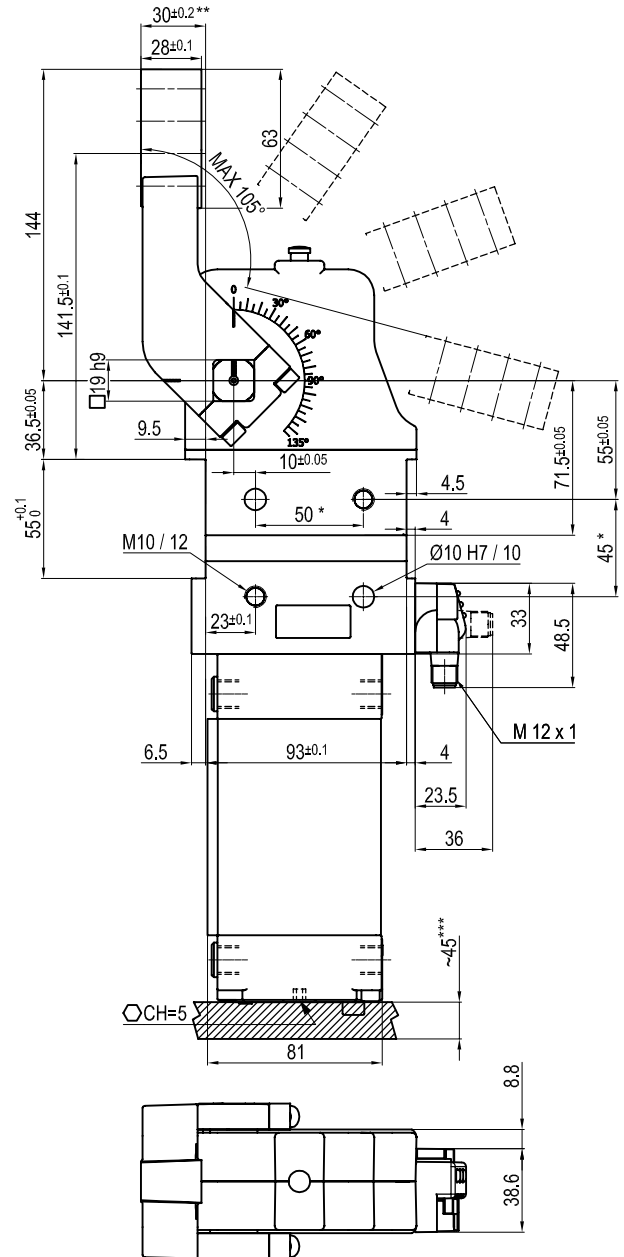
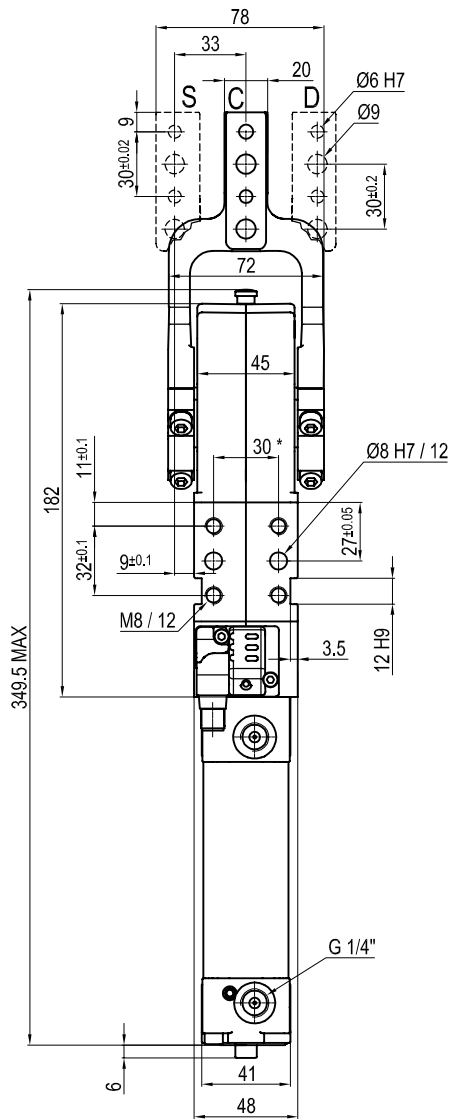
** : TOLERANCE AT 80mm FROM PIVOT POINT

*** : AREA TO ACCESS ANGLE ADJUSTMENT



UBP Series Pneumatic Power Clamp

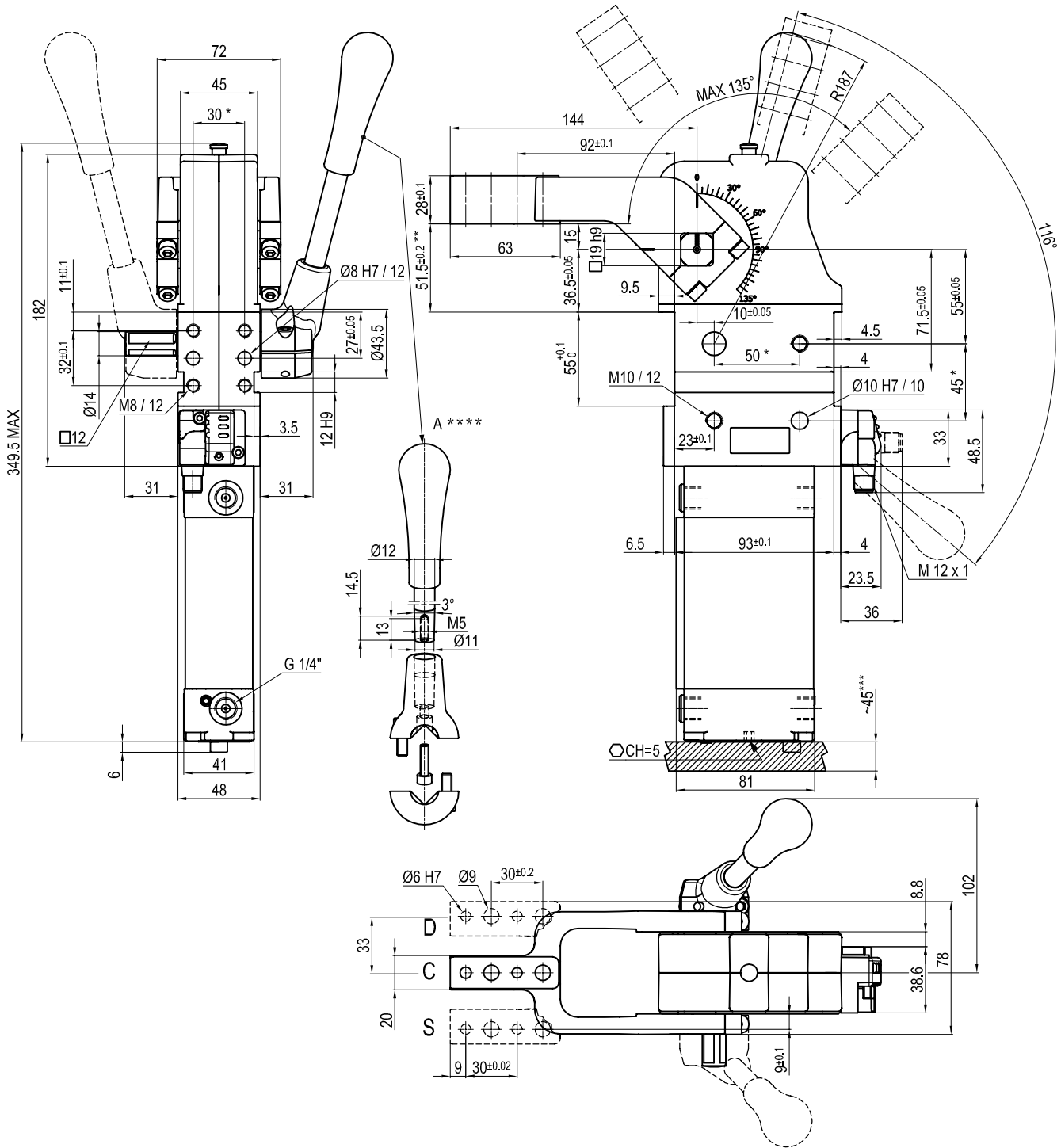
UBP500_U Pneumatic Power Clamp



- * : TOLERANCE BETWEEN DOWELS ± 0.02, TO SCREW HOLES ± 0.1
- ** : TOLERANCE AT 80mm FROM PIVOT POINT
- *** : AREA TO ACCESS ANGLE ADJUSTMENT



UBM50V_U Pneumatic Power Clamp with Manual Lever

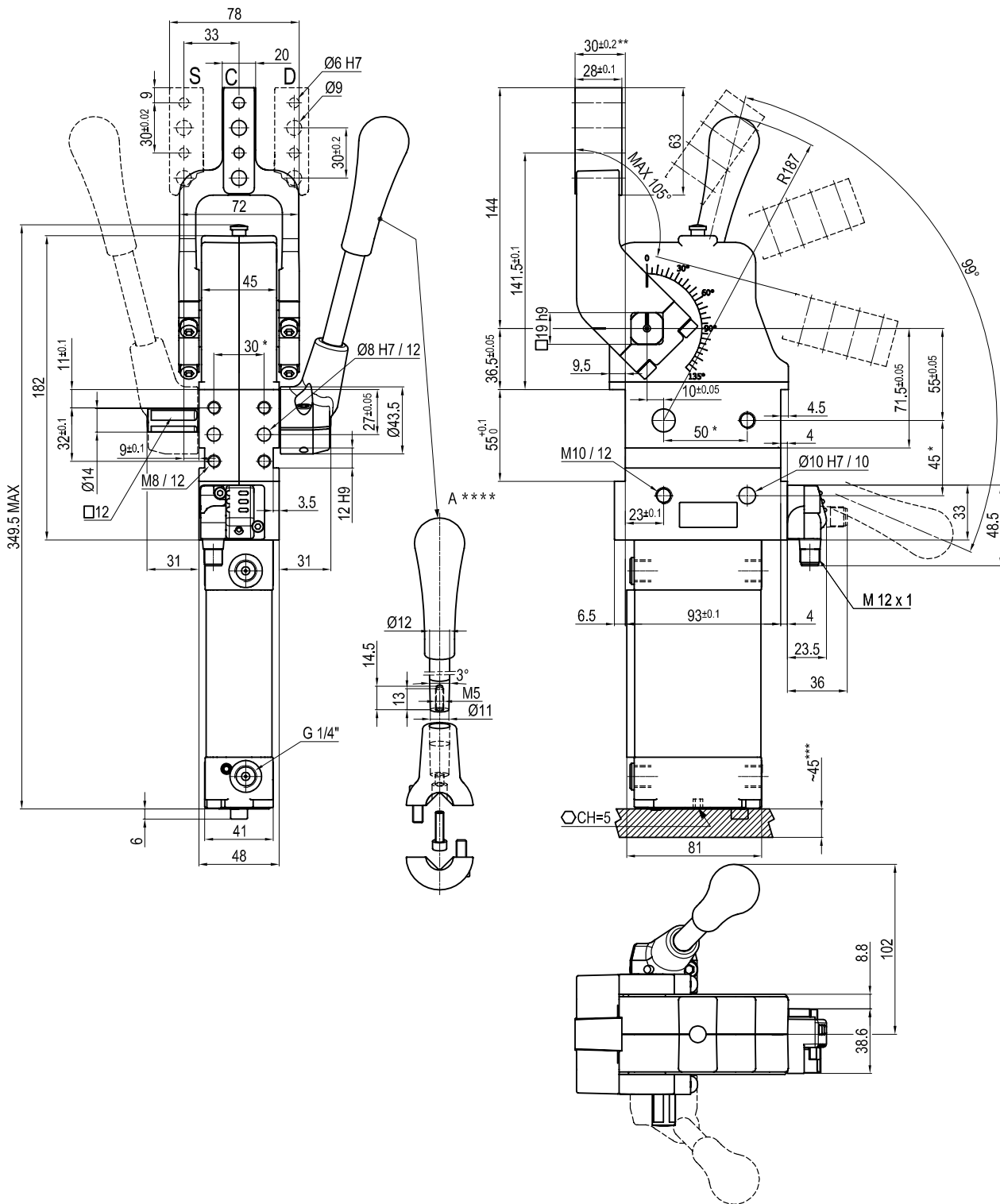


- * : TOLERANCE BETWEEN DOWELS ± 0.02 , TO SCREW HOLES ± 0.1
- ** : TOLERANCE AT 80mm FROM PIVOT POINT
- *** : AREA TO ACCESS ANGLE ADJUSTMENT
- **** : DIMENSIONS TO BE RESPECTED IN CASE OTHER MANUAL LEVERS ARE USED



UBP Series Pneumatic Power Clamp

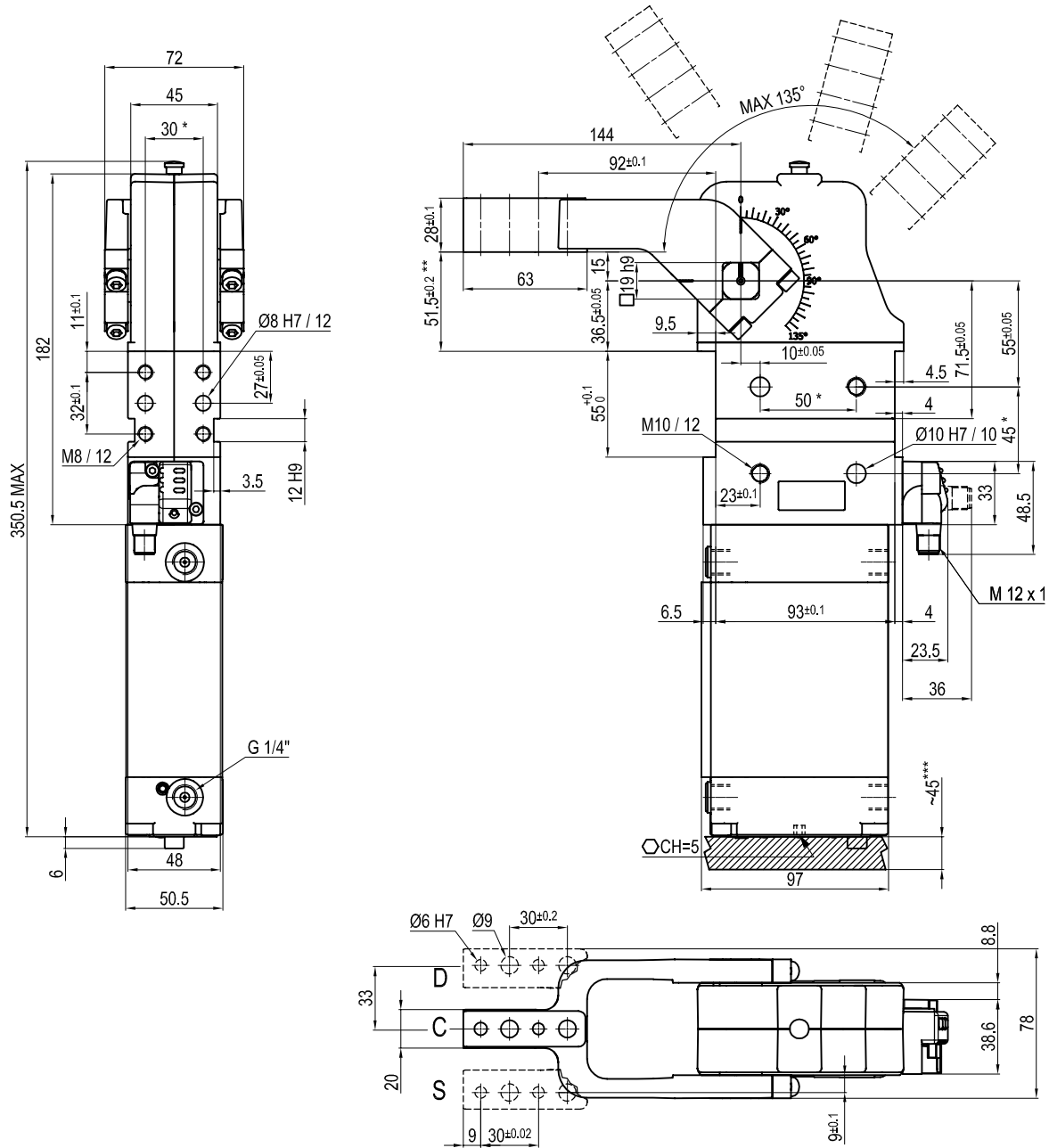
UBM500_U Pneumatic Power Clamp with Manual Lever



- * : TOLERANCE BETWEEN DOWELS ± 0.02 , TO SCREW HOLES ± 0.1
- ** : TOLERANCE AT 80mm FROM PIVOT POINT
- *** : AREA TO ACCESS ANGLE ADJUSTMENT
- **** : DIMENSIONS TO BE RESPECTED IN CASE OTHER MANUAL LEVERS ARE USED



UBP63V_U Pneumatic Power Clamp



* : TOLERANCE BETWEEN DOWELS ± 0.02 , TO SCREW HOLES ± 0.1

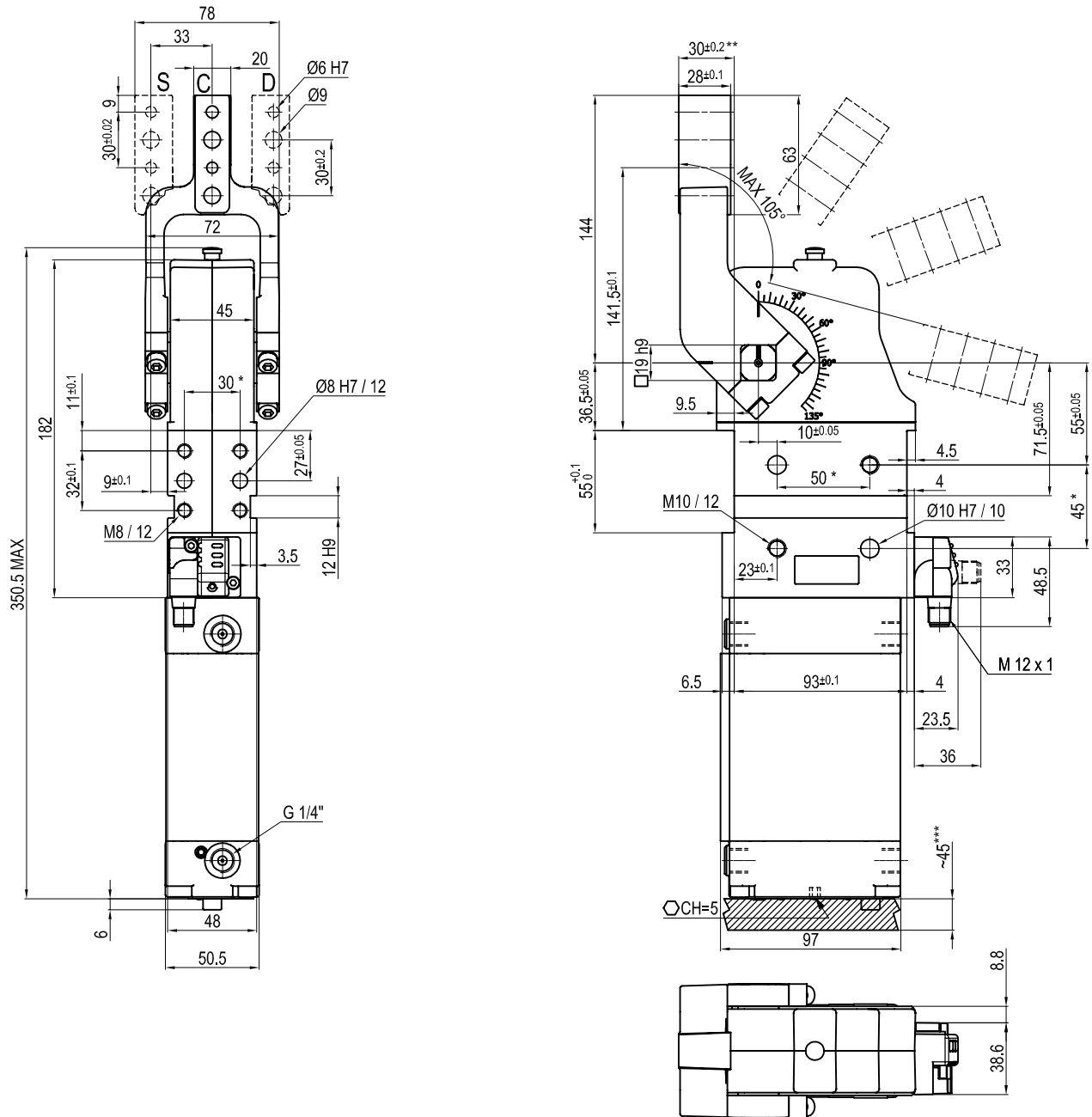
** : TOLERANCE AT 80mm FROM PIVOT POINT

*** : AREA TO ACCESS ANGLE ADJUSTMENT



UBP Series Pneumatic Power Clamp

UBP630_U Pneumatic Power Clamp



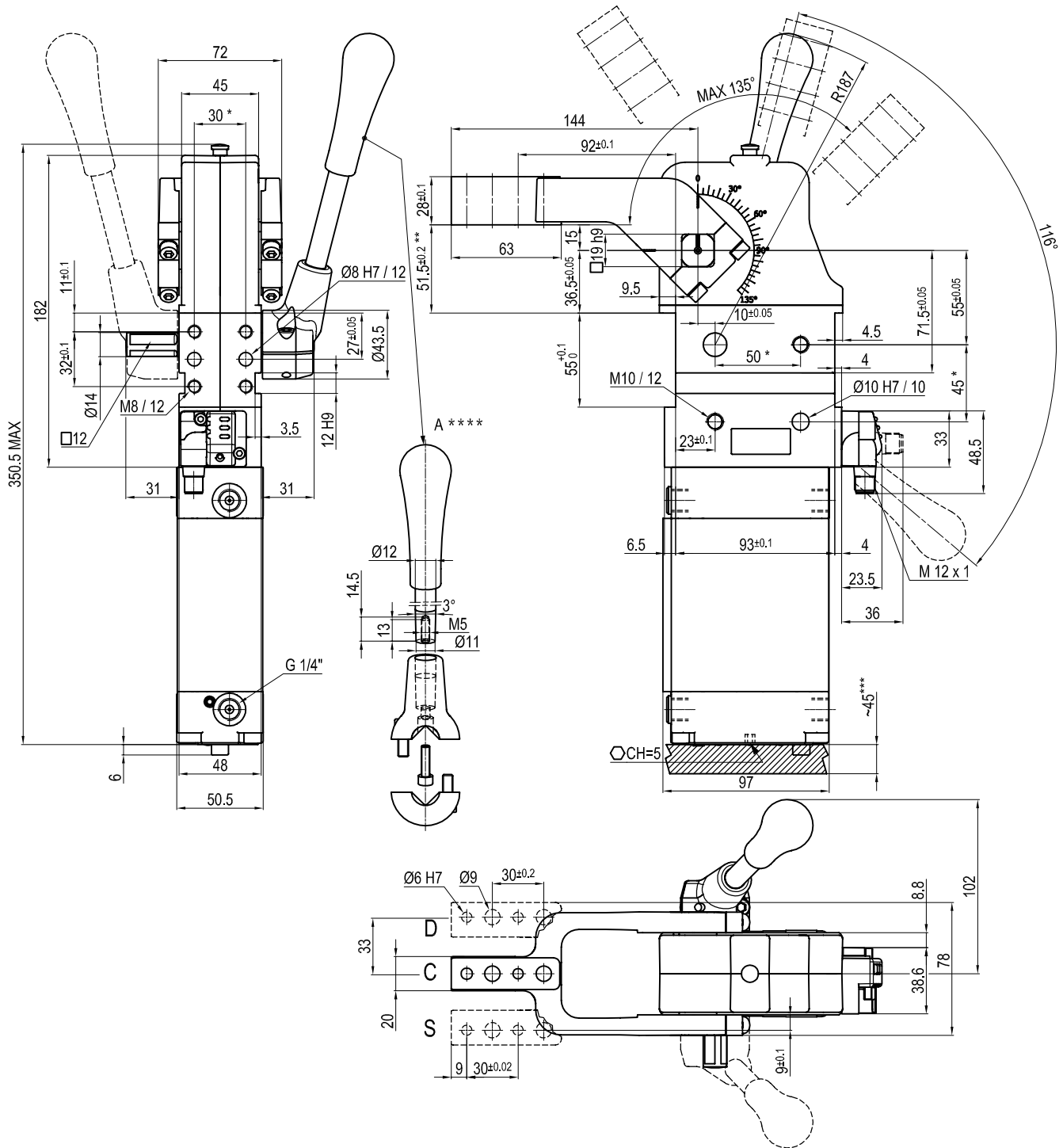
* : TOLERANCE BETWEEN DOWELS ± 0.02, TO SCREW HOLES ± 0.1

** : TOLERANCE AT 80mm FROM PIVOT POINT

*** : AREA TO ACCESS ANGLE ADJUSTMENT



UBM63V_U Pneumatic Power Clamp with Manual Lever



* : TOLERANCE BETWEEN DOWELS ± 0.02, TO SCREW HOLES ± 0.1

** : TOLERANCE AT 80mm FROM PIVOT POINT

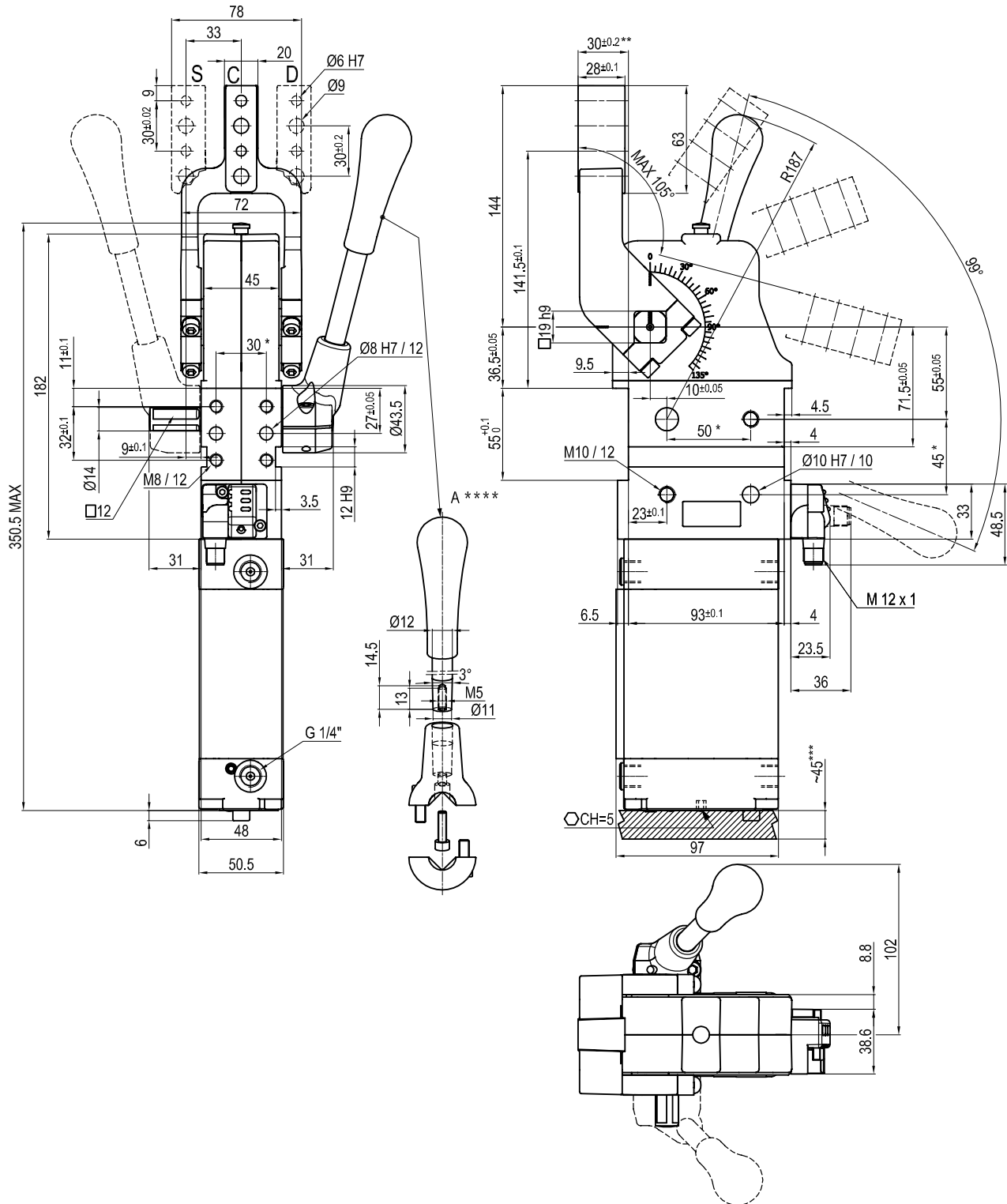
*** : AREA TO ACCESS ANGLE ADJUSTMENT

**** : DIMENSIONS TO BE RESPECTED IN CASE OTHER MANUAL LEVERS ARE USED



UBP Series Pneumatic Power Clamp

UBM630_U Pneumatic Power Clamp with Manual Lever



* : TOLERANCE BETWEEN DOWELS ± 0.02 , TO SCREW HOLES ± 0.1

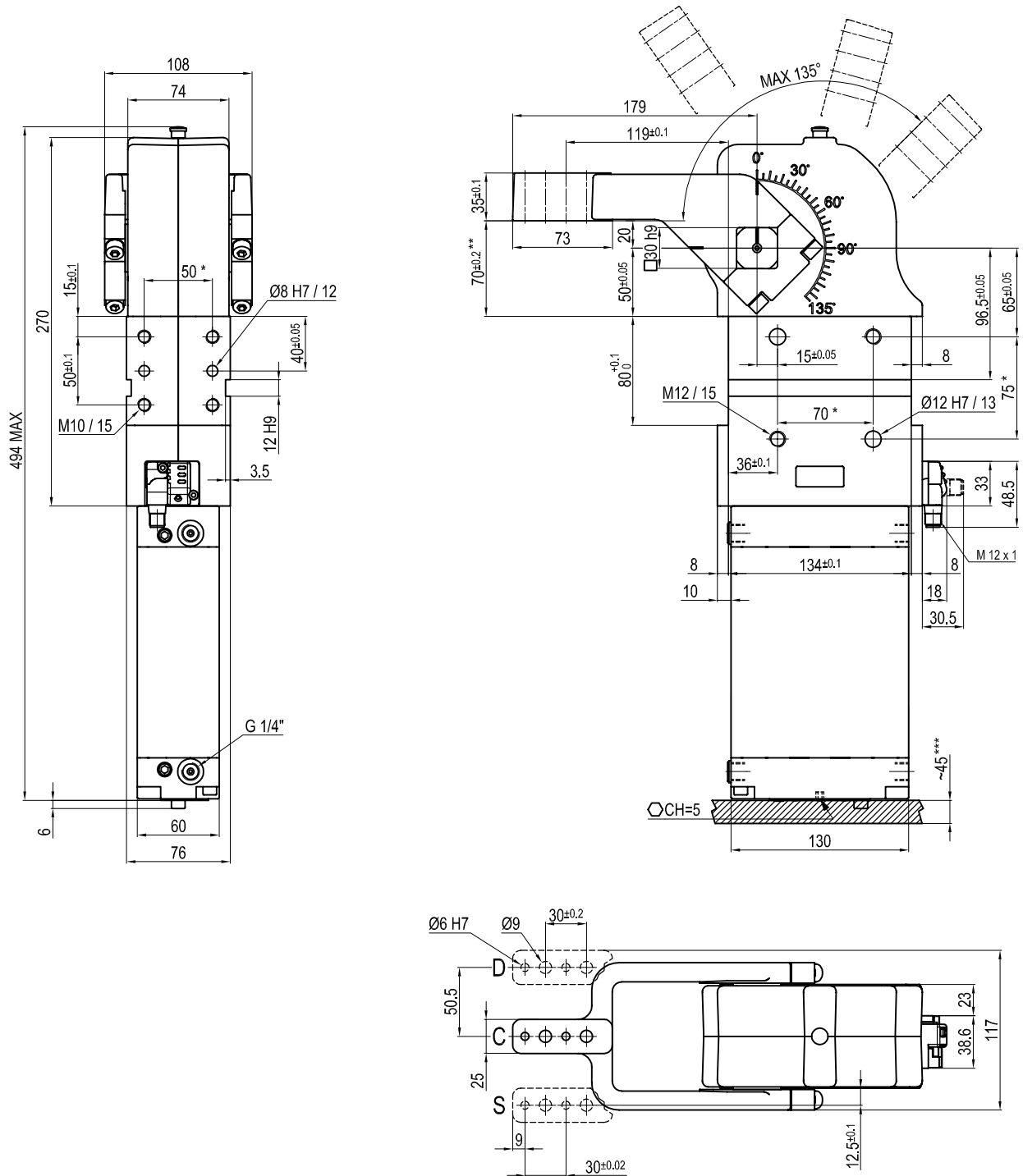
** : TOLERANCE AT 80mm FROM PIVOT POINT

*** : AREA TO ACCESS ANGLE ADJUSTMENT

**** : DIMENSIONS TO BE RESPECTED IN CASE OTHER MANUAL LEVERS ARE USED



UBP80V_U Pneumatic Power Clamp



* : TOLERANCE BETWEEN DOWELS ± 0.02 , TO SCREW HOLES ± 0.1

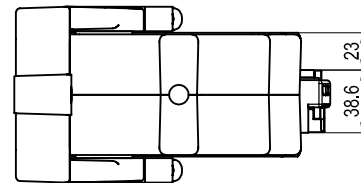
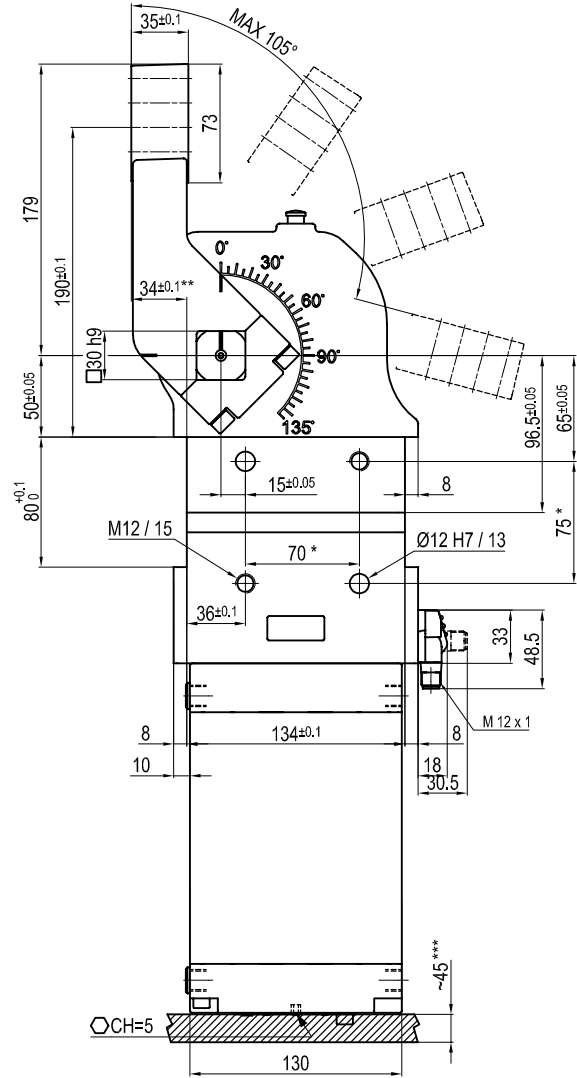
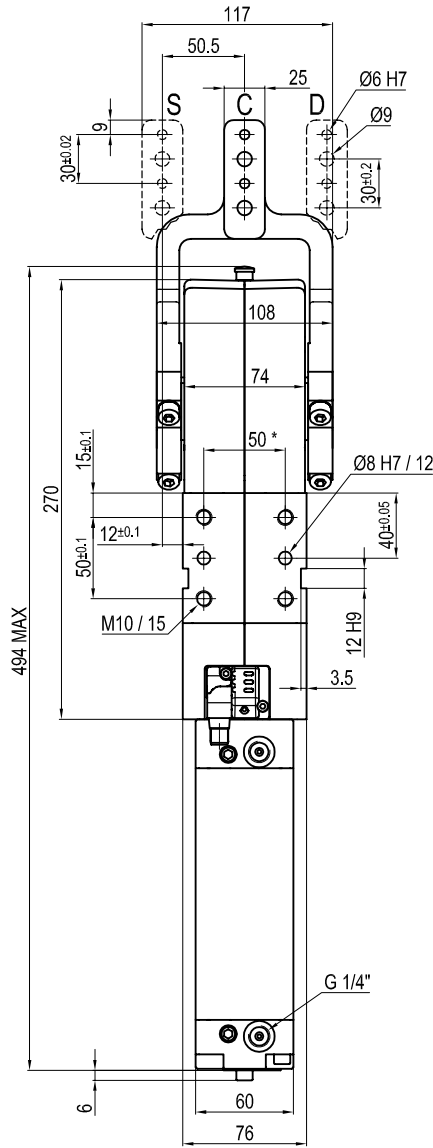
** : TOLERANCE AT 80mm FROM PIVOT POINT

*** : AREA TO ACCESS ANGLE ADJUSTMENT



UBP Series Pneumatic Power Clamp

UBP800_U Pneumatic Power Clamp



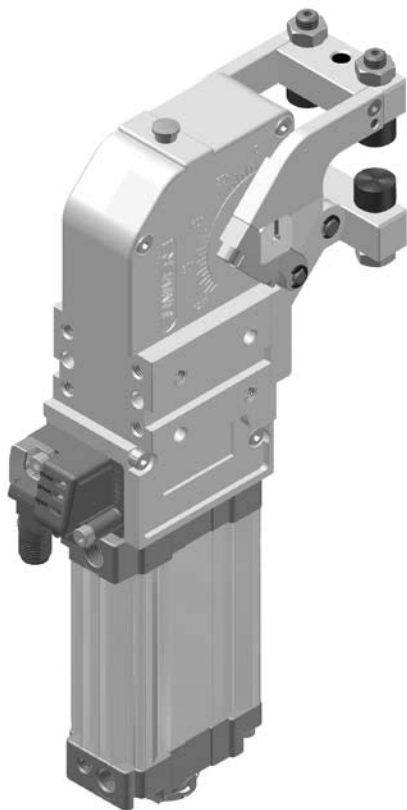
* : TOLERANCE BETWEEN DOWELS ± 0.02 , TO SCREW HOLES ± 0.1

** : TOLERANCE AT 80mm FROM PIVOT POINT

*** : AREA TO ACCESS ANGLE ADJUSTMENT



UGP Series Pneumatic Gripper



Features

- Single and Double Moving Jaws
- Single and Double Tips
- Fully Adjustable opening angle
- Opening angle can be set with or without air pressure
- Linear and rotary motion guided by roller bearings
- Remains locked in closed position even when air pressure is removed
- Pneumatic ports on both sides of the cylinder
- Manual release button to open mechanism when air pressure is removed
- Unique “programmable” all metal sensor with M12 swivel connector

General Specifications

Weight:

UGP40: 1.8 Kg (4.0 lbs)

Operating Pressure:

Minimum: 2.75 Bar (40 PSI)

Maximum: 8 Bar (115 PSI)

Operating Temperature: 5° to 45° C (40° to 113°F)

Class Protection: IP65

Opening Angles:

UGP40VB: Adjustable from 0° to 77°

UGP40VF: Adjustable from 0° to 77°

UGP40VL: Adjustable from 0° to 95°

UGP40OL: Adjustable from 0° to 53°

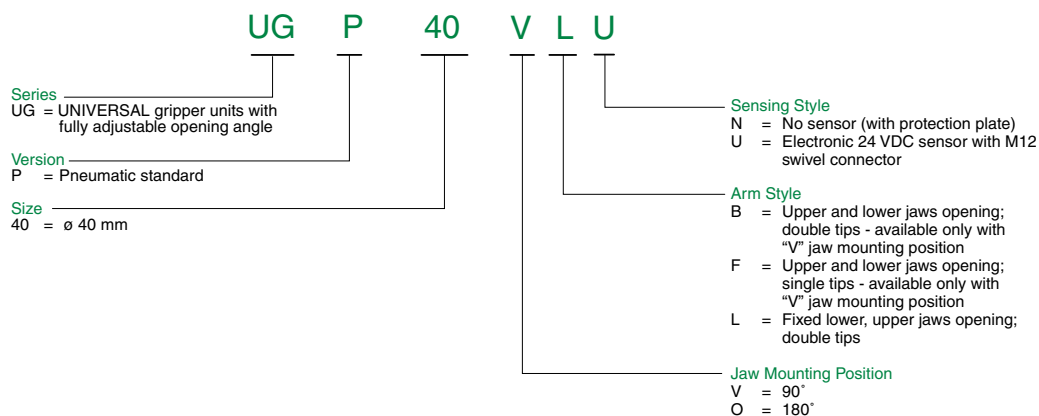
See dimensional drawings for more information

Holding Capacity: 600Nm (5310 in-lbs)

Maximum Grip Force

Model Number	4 Bar (58 PSI)	5 Bar (72 PSI)
UGP40V	1900 N (427 lbs)	2333 N (524 lbs)
UGP40O	1500 N (337 lbs)	1866 N (419 lbs)

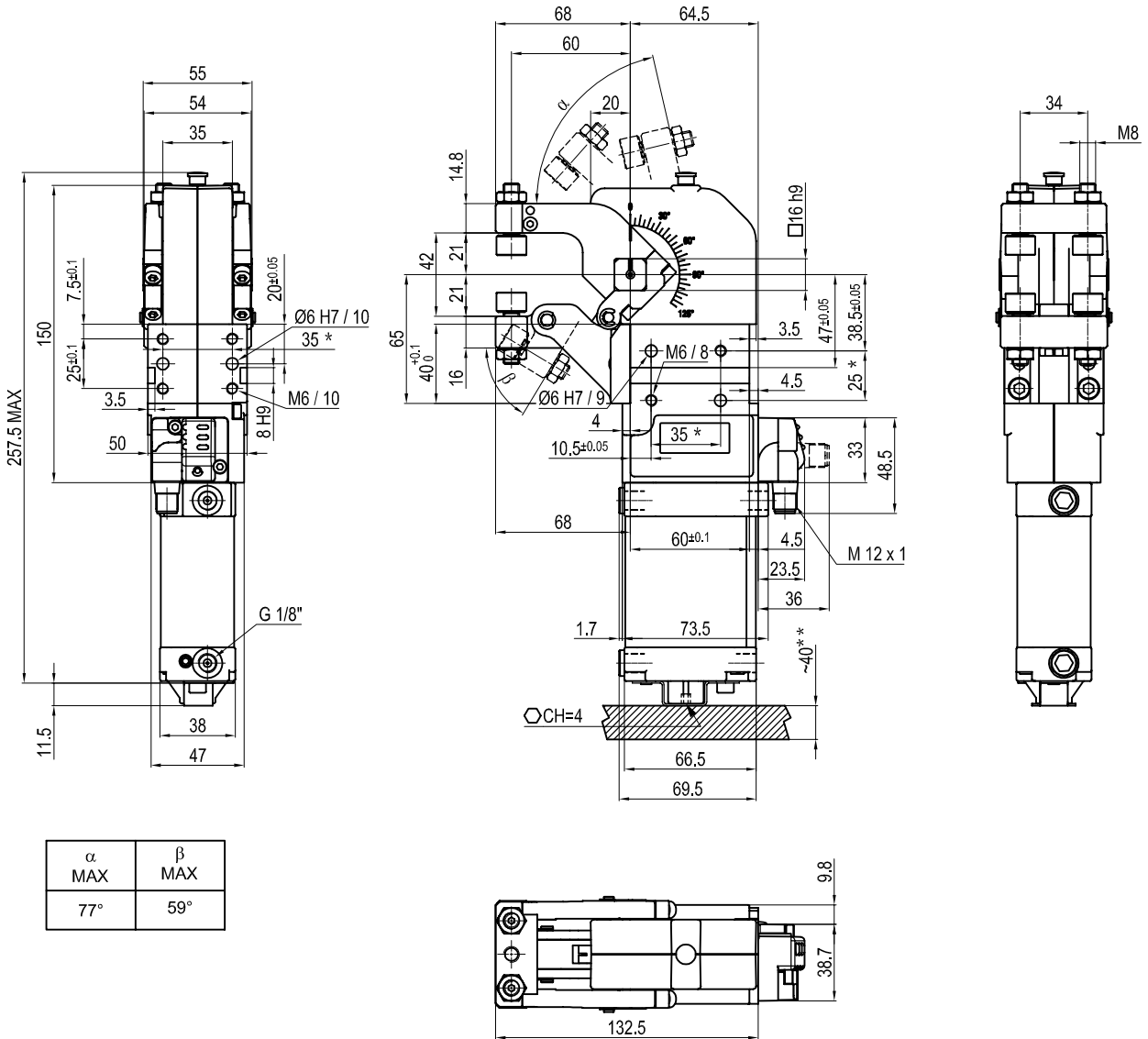
How to Order





UGP Series Pneumatic Gripper

UGP40VBU Pneumatic Gripper



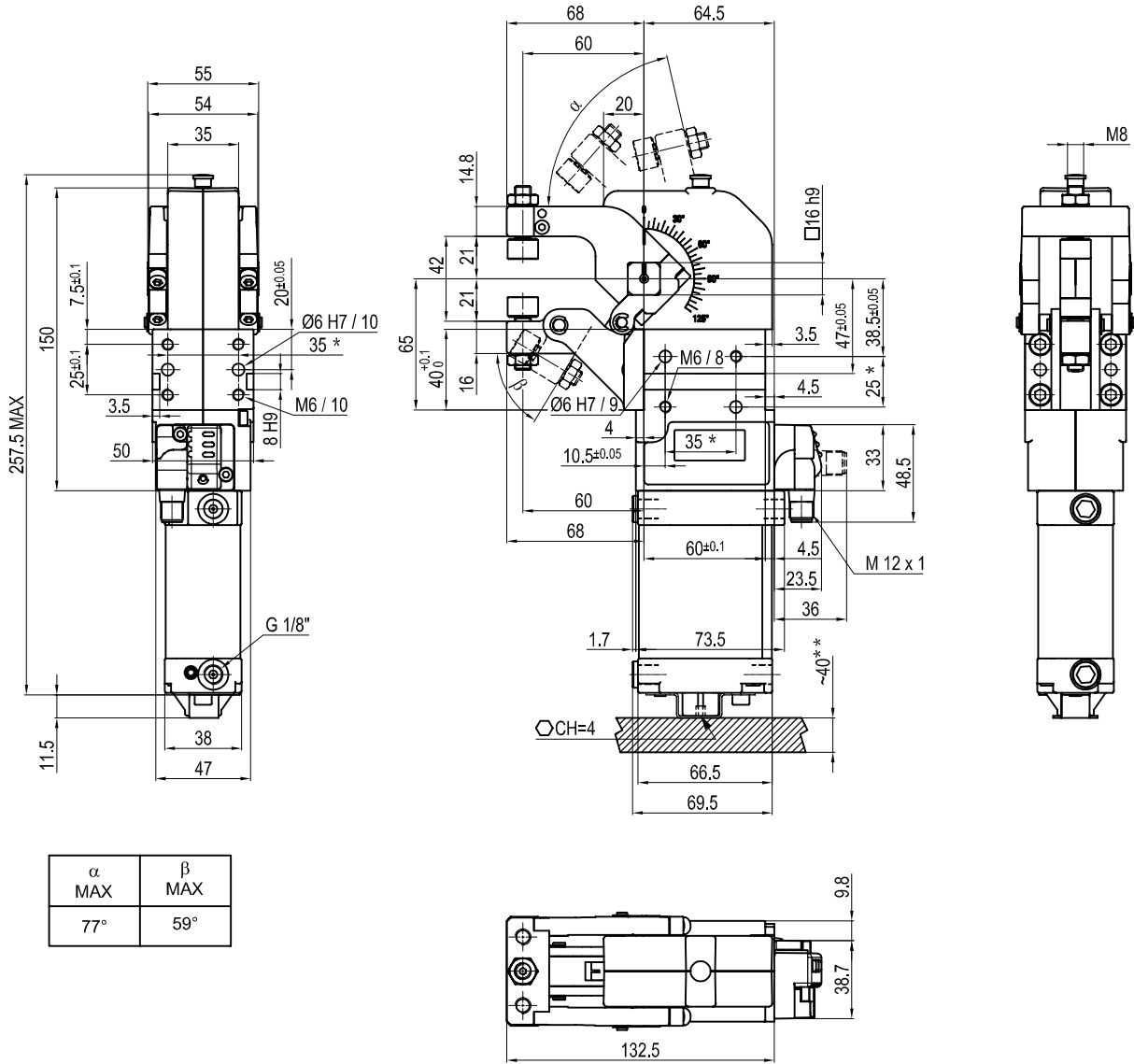
* : TOLERANCE BETWEEN DOWELS ± 0.02 , TO SCREW HOLES ± 0.1

** : AREA TO ACCESS ANGLE ADJUSTMENT



UGP Series Pneumatic Gripper

UGP40VFU Pneumatic Gripper



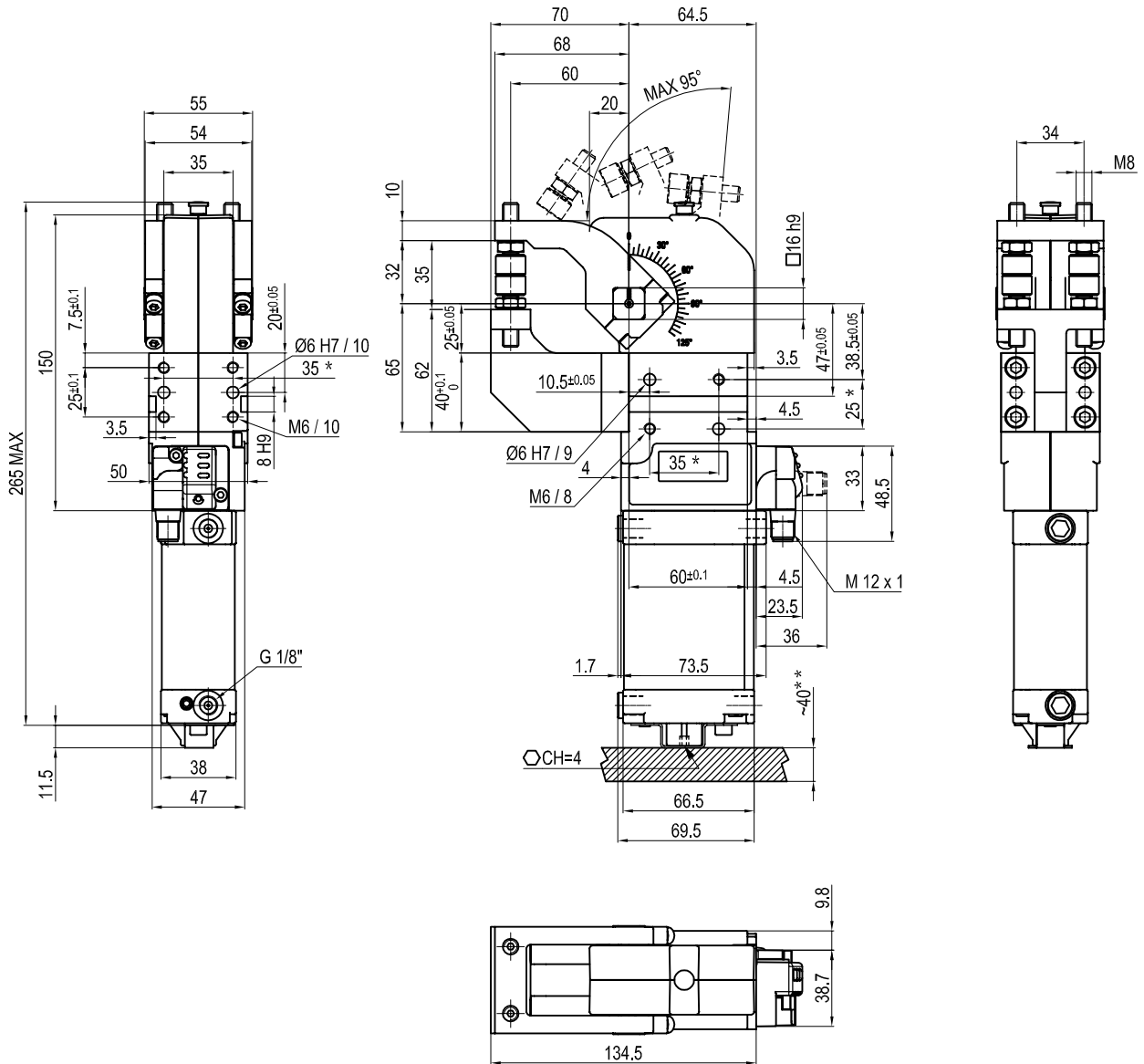
* : TOLERANCE BETWEEN DOWELS ± 0.02 , TO SCREW HOLES ± 0.1

** : AREA TO ACCESS ANGLE ADJUSTMENT



UGP Series Pneumatic Gripper

UGP40VLU Pneumatic Gripper

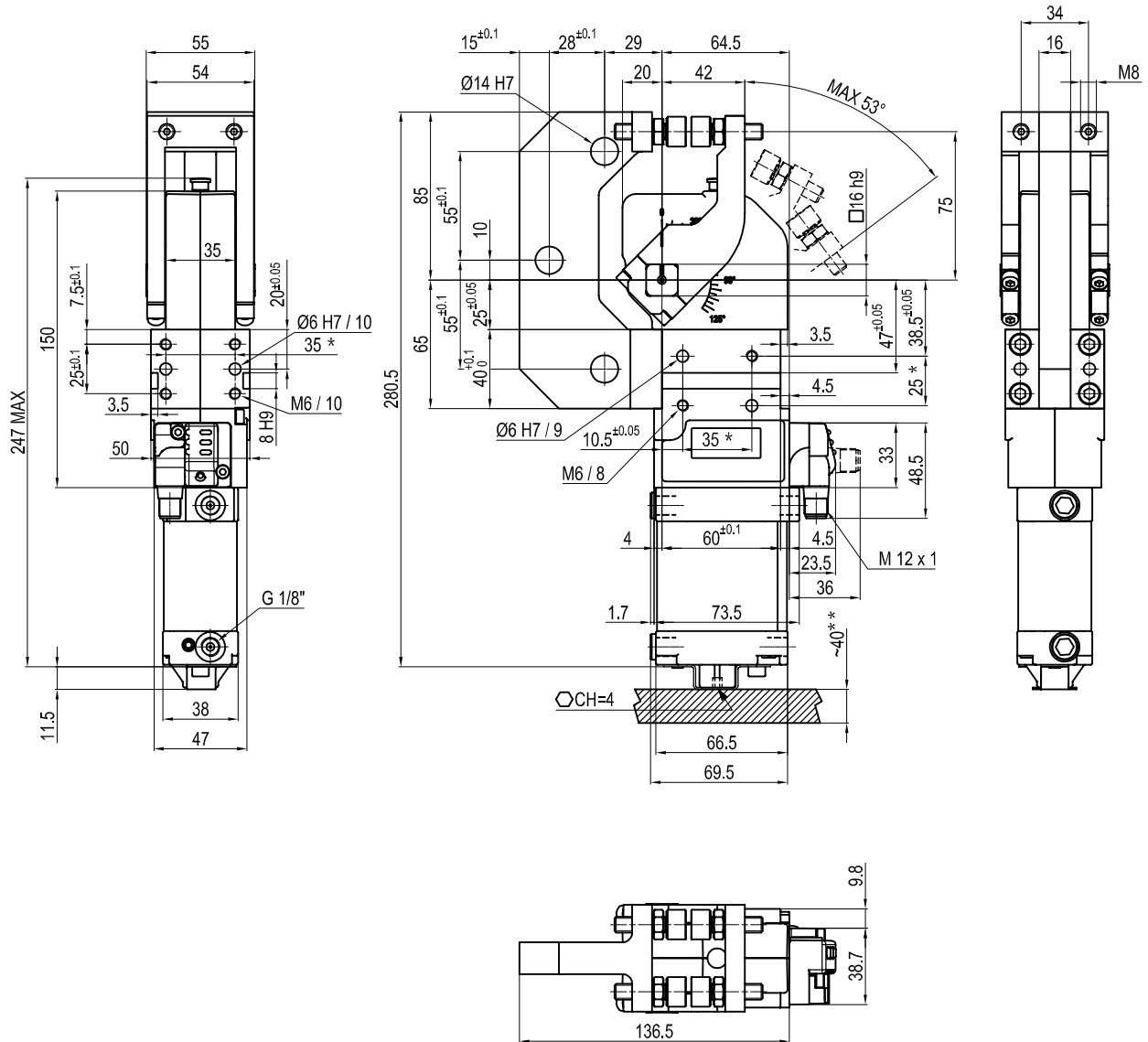


* : TOLERANCE BETWEEN DOWELS ± 0.02 , TO SCREW HOLES ± 0.1

** : AREA TO ACCESS ANGLE ADJUSTMENT



UGP40OLU Pneumatic Gripper

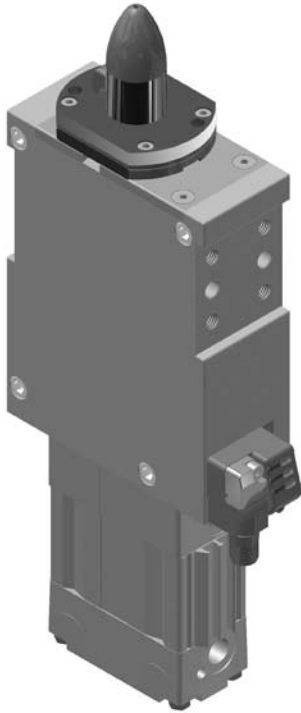


* : TOLERANCE BETWEEN DOWELS ± 0.02 , TO SCREW HOLES ± 0.1

** : AREA TO ACCESS ANGLE ADJUSTMENT



LSP Series Pneumatic Pin Clamp



Features

- Designed to both locate and clamp material
- Multiple pin sizes available
- Different working heights available
- Unique system prevents weld slag from entering unit
- Hardened pins, hooks and scrapers for extended life
- Orthogonal version for applications with very demanding dimensional limitations
- Remains locked in closed position even when air pressure is removed
- Pneumatic ports on both sides of the cylinder
- Unique “programmable” all metal sensor with M12 swivel connector

General Specifications

Weight:

LSP50G: 3.2 Kg (7.1 lbs)

LSP50U: 2.2 Kg (4.9 lbs)

Operating Pressure:

Minimum: 2.75 Bar (40 PSI)

Maximum: 8 Bar (115 PSI)

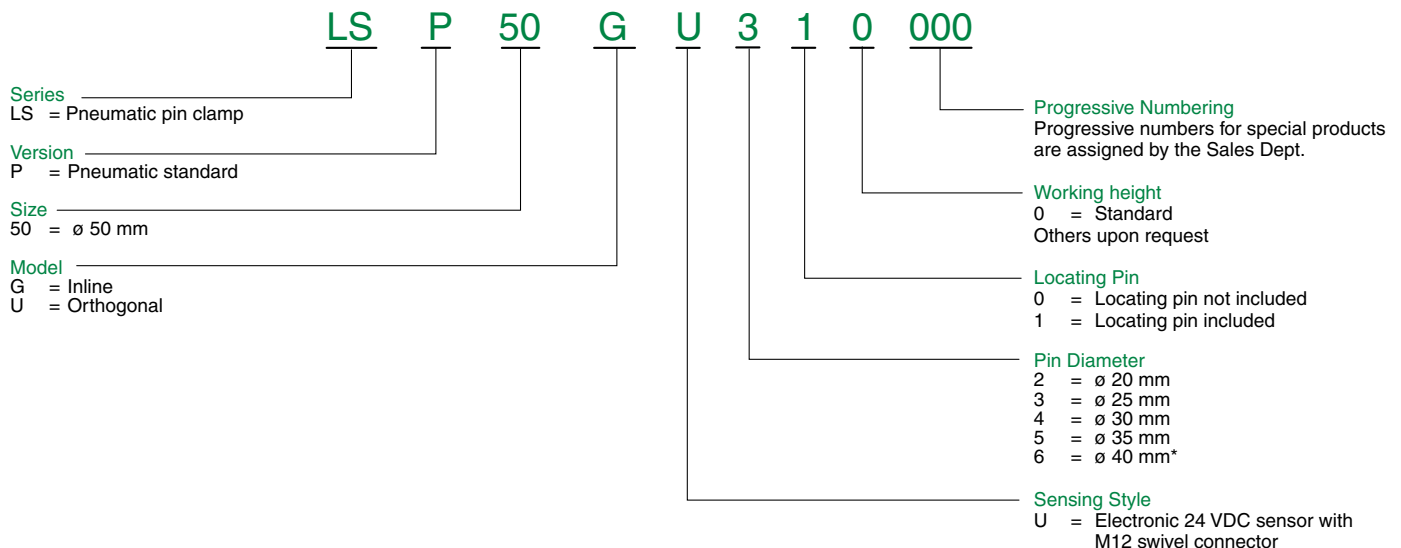
Operating Temperature: 5° to 45° C (40° to 113°F)

Class Protection: IP54

Maximum Clamping Force

Model Number	4 Bar (58 PSI)	5 Bar (72 PSI)
LSP50G	2850 N (640 lbs)	3500 (786 lbs)
LSP50U	3250 N (730 lbs)	4000 N (899 lbs)

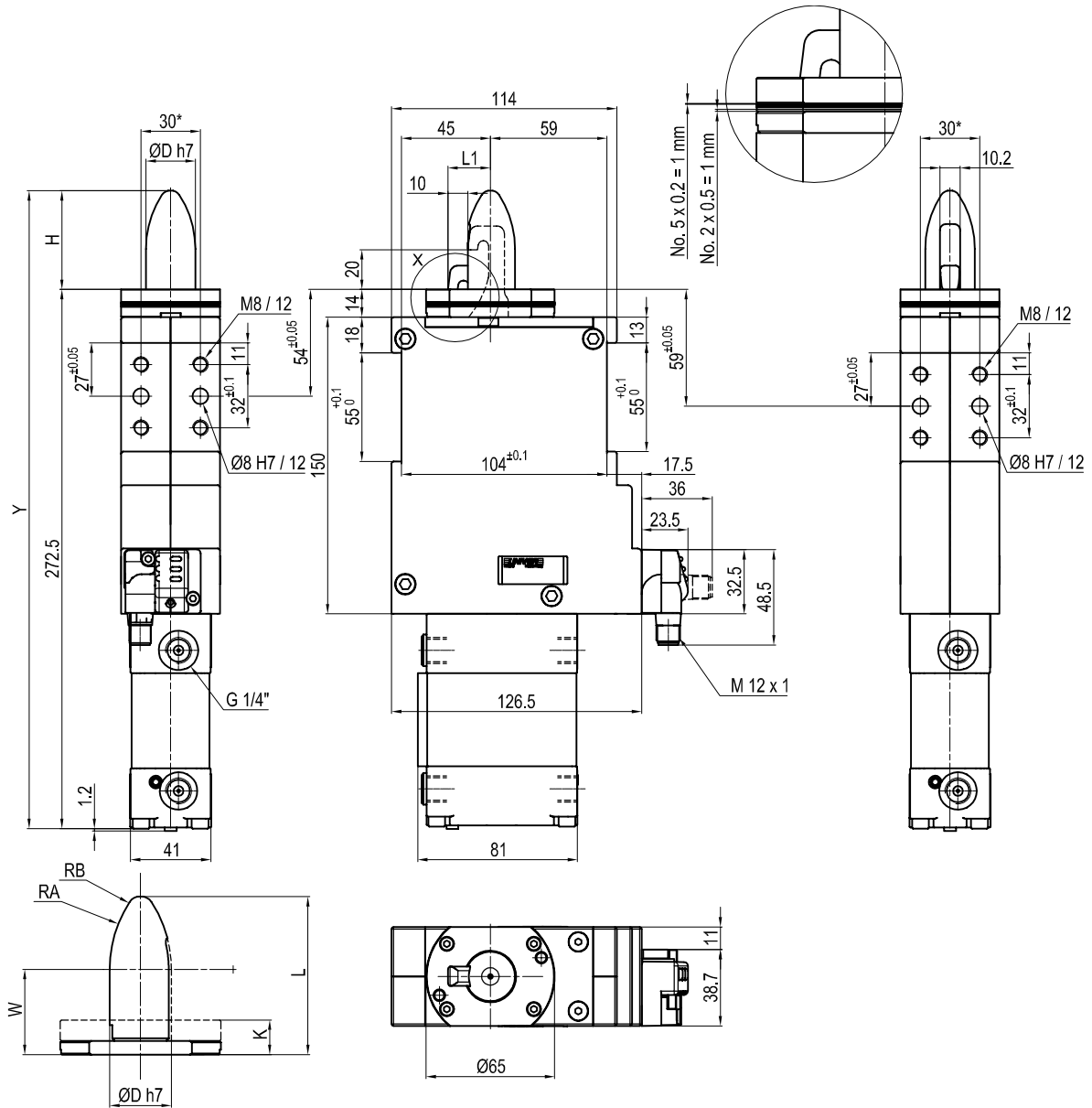
How to Order



*Not available on orthogonal version



LSP50GU_10 Pneumatic Pin Clamp



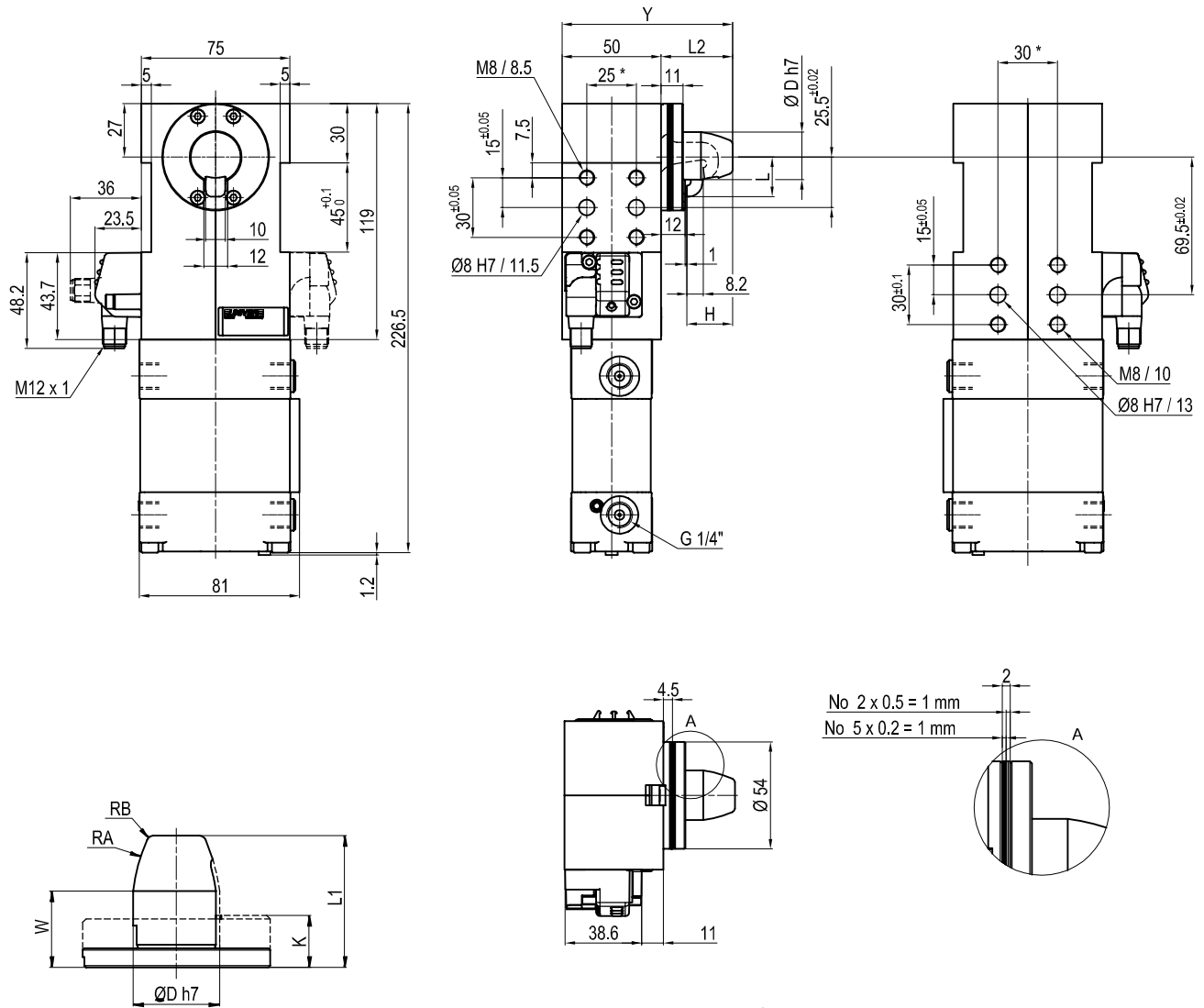
ØD	H	K	L	L1	RA	RB	W	Y
20	45	14	59	19	65	5	34.5	317.5
25	50	14	64	21.5	50	5	34.5	322.5
30	50	14	64	24	50	5	34.5	322.5
35	50	14	64	26.5	48	2	29	322.5
40	50	14	64	29	48	2	29	328.5

* : TOLERANCE BETWEEN DOWEL HOLES ± 0.02 , TO SCREW HOLES ± 0.1

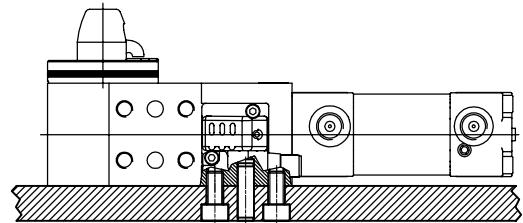


LSP Series Pneumatic Pin Clamp

LSP50UU_10 Pneumatic Pin Clamp



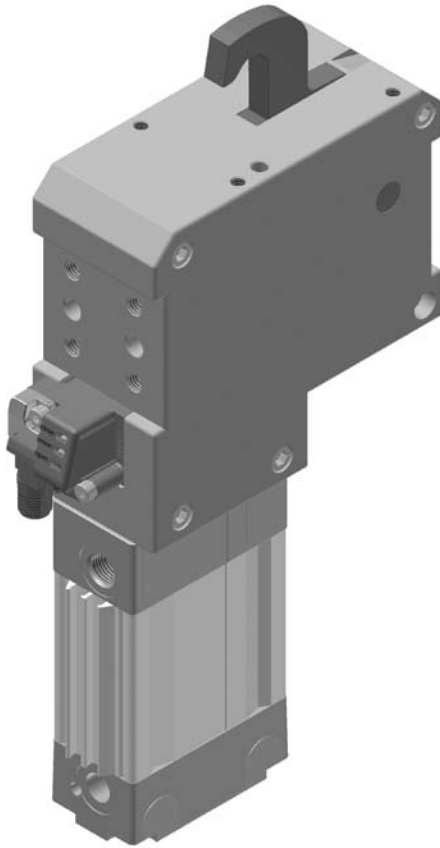
ØD	H	K	L	L1	L2	RA	RB	W	Y
20	23	14	17,5	38	36	70	2	22	86
25	23	14	20	38	36	55	2	22	86
30	30	14	22,5	45	42	33	2	22	92
35	30	14	25	45	42	28	2	22	92



* : TOLERANCE BETWEEN DOWEL HOLES ± 0.02 , TO SCREW HOLES ± 0.1
 THE SENSOR CAN BE MOUNTED ON EITHER RIGHT OR LEFT SIDE



LTP Series Pneumatic Pin Clamp



Features

- Vanishing hooks provides low profile
- Multiple pin sizes available
- Unique system prevents weld slag from entering unit
- Long travel of hook designed for increased engagement of sheet metal in oval slots
- Hardened pins, hooks and scrapers for extended life
- Remains locked in closed position even when air pressure is removed
- Pneumatic ports on both sides of the cylinder
- Unique “programmable” all metal sensor with M12 swivel connector

General Specifications

Weight:

LTP50T: 3.2 Kg (7.1 lbs)

Operating Pressure:

Minimum: 2.75 Bar (40 PSI)

Maximum: 8 Bar (115 PSI)

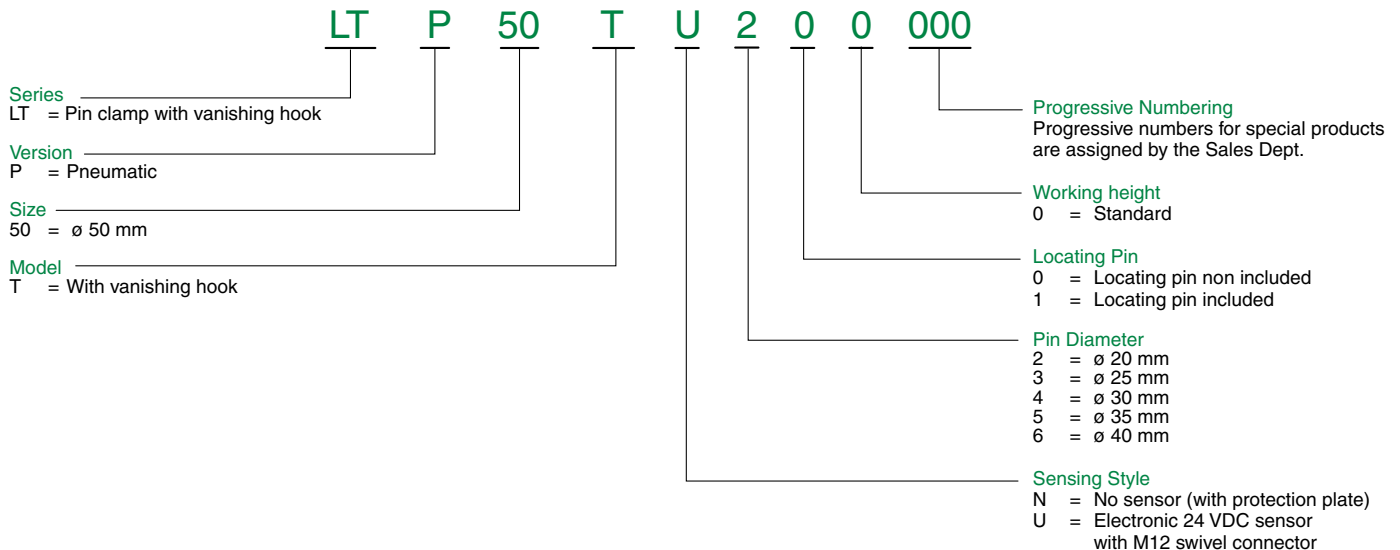
Operating Temperature: 5° to 45° C (40° to 113°F)

Class Protection: IP54

Maximum Clamping Force

Model Number	4 Bar (58 PSI)	5 Bar (72.5 PSI)
LTP50T	2850 N (640 lbs)	3500 (786 lbs)

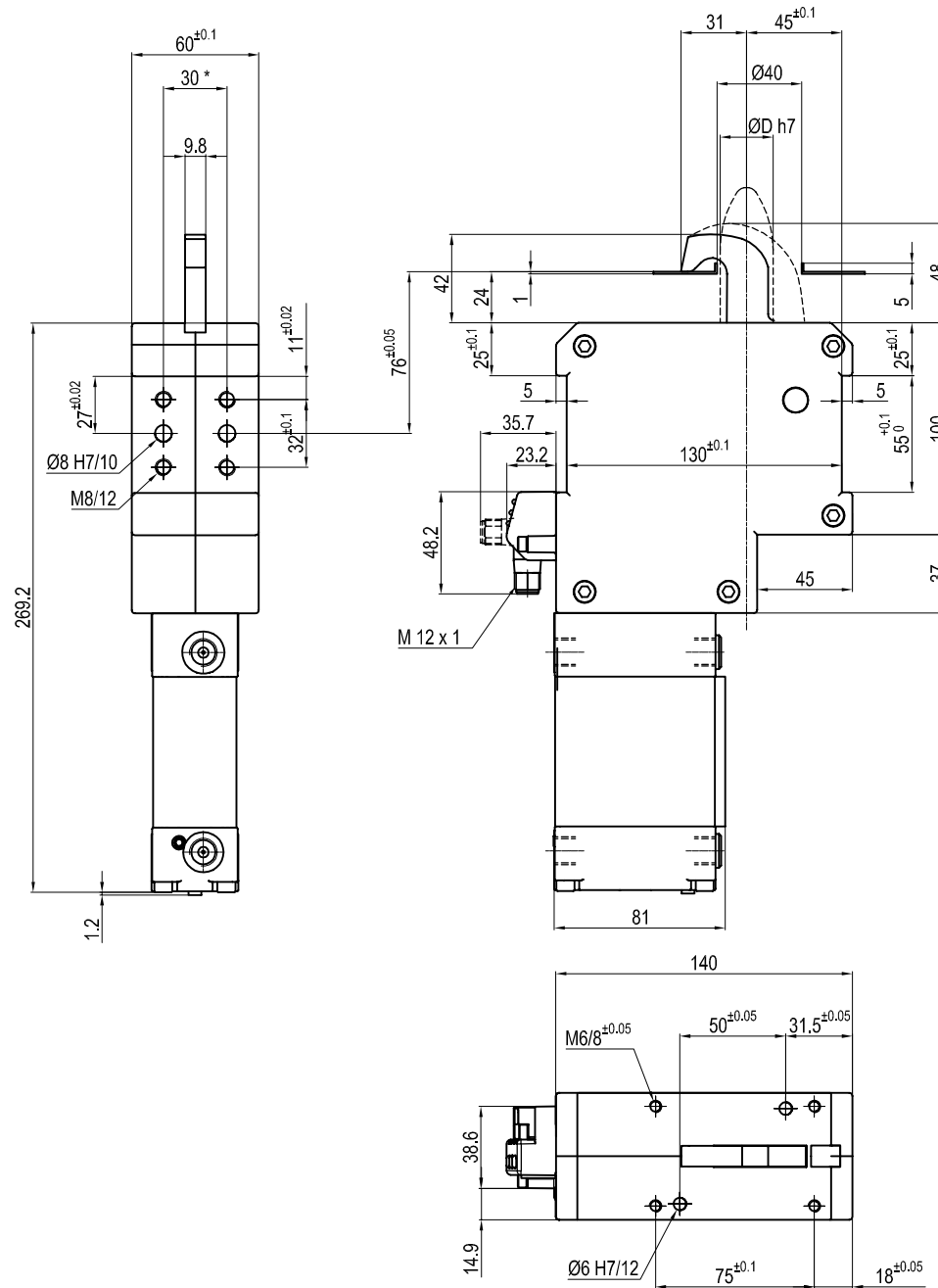
How to Order





LTP Series Pneumatic Pin Clamp

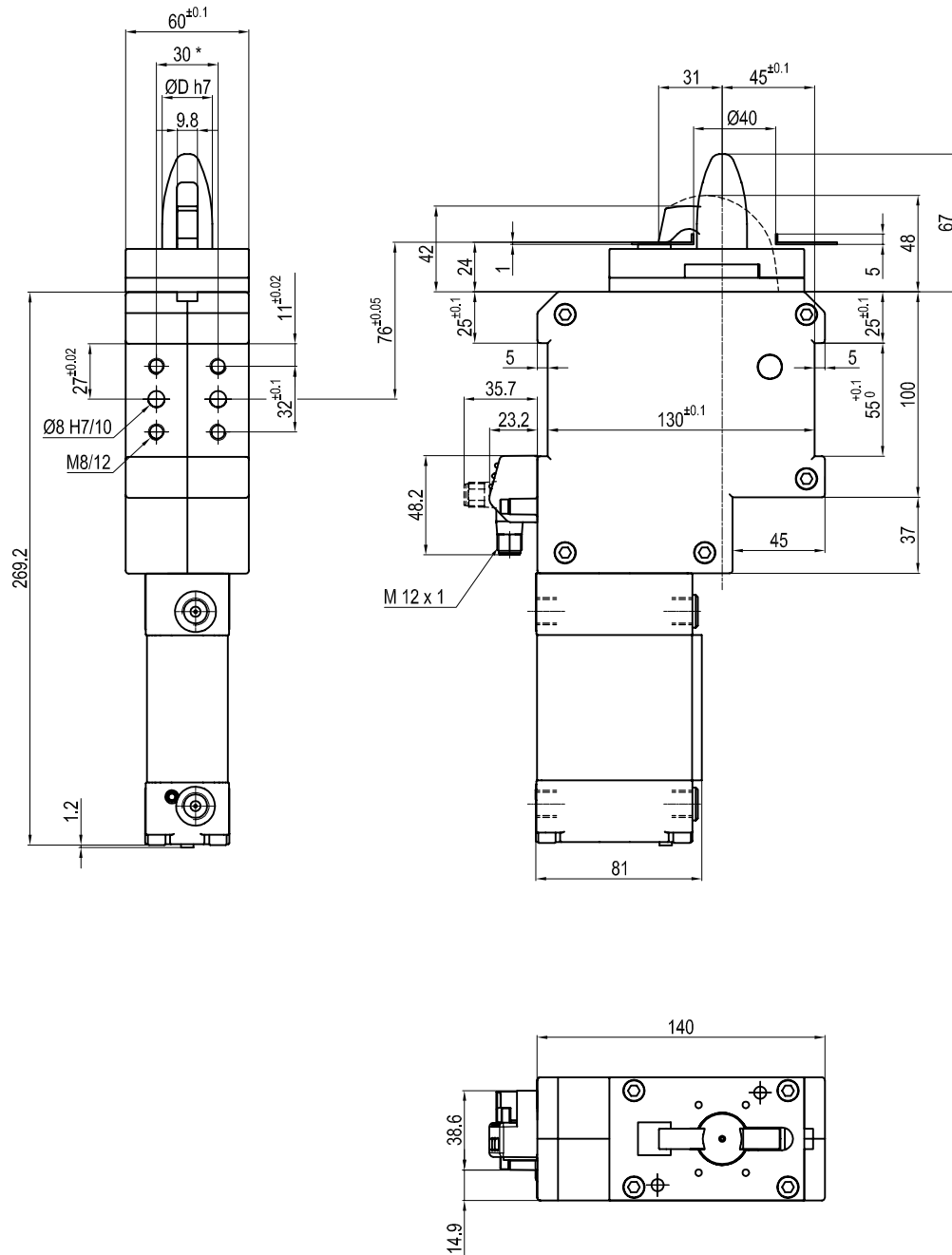
LTP50TU_OO Pneumatic Pin Clamp with Vanishing Hook



* : TOLERANCE BETWEEN DOWEL HOLES ± 0.02 , TO SCREW HOLES ± 0.1



LTP50TU_10 Pneumatic Pin Clamp with Vanishing Hook

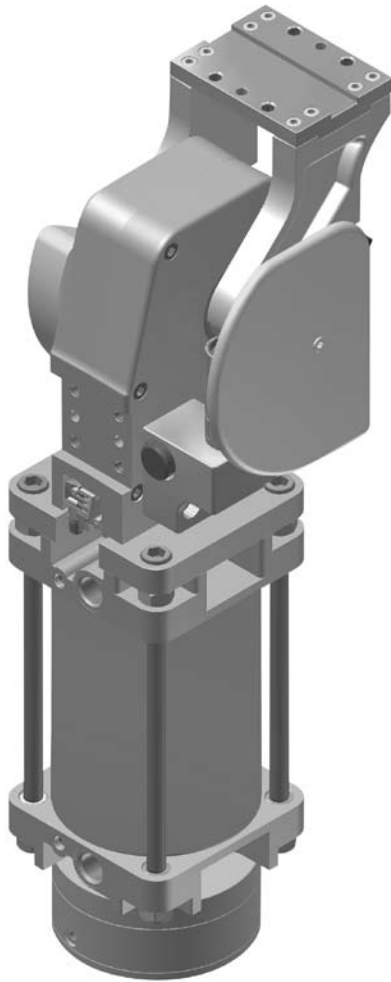


ØD
20
25
30
35
40

* : TOLERANCE BETWEEN DOWEL HOLES ± 0.02 , TO SCREW HOLES ± 0.1



UAGP Series Pneumatic Power Pivot



Features

- Available in three different sizes
- Manually adjustable opening angle in 15° increments
- Integrated shock absorbers
- Integrated stopping brake
- Saddle is chrome-plated steel that has a precision ground surface and is case hardened
- Linear motion guided by roller bearings and hardened steel guide
- Rotary motion guided by conical roller bearings
- External pre-stop assures accuracy and repeatability of saddle
- Remains locked in closed position even when air pressure is removed
- Unique "programmable" all metal sensor with M12 swivel connector

General Specifications

Weight:

UAGP170: 23 Kg (50.7 lbs)

UAGP300: 35 Kg (77.2 lbs)

UAGP600: 52 Kg (114.6 lbs)

Operating Pressure:

Minimum: 2.75 Bar (40 PSI)

Maximum: 8 Bar (115 PSI)

Note: Brake requires minimum pressure of 4.5 Bar (65 PSI)

Operating Temperature: 5° to 45° C (40° to 113°F)

Class Protection: IP65

Opening Angles:

UAGP170, 300: 15°, 30°, 45°, 60°, 75°, 90°, 105°, 120°

UAGP600: 30°, 45°, 60°, 75°, 90°, 105°, 120°

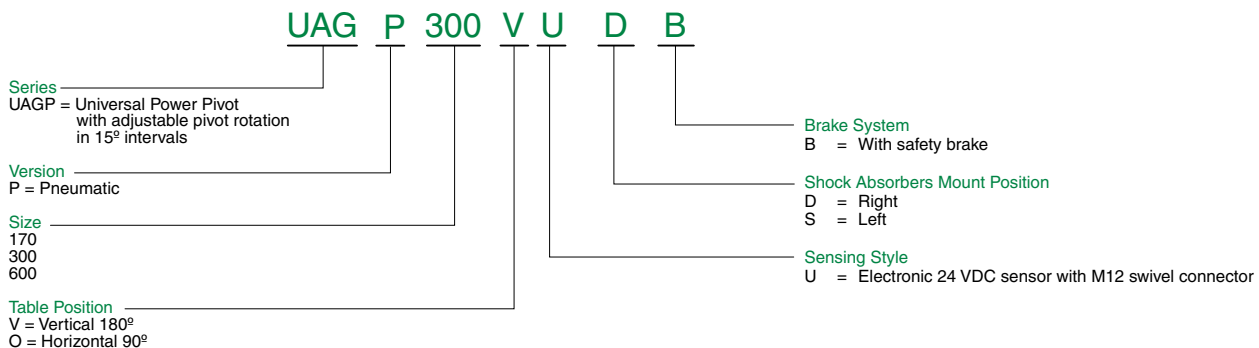
Holding Capacity

UAGP170: 4000 Nm (2950 ft-lbs)

UAGP300: 6000 Nm (4425 ft-lbs)

UAGP600: 8000 Nm (5900 ft-lbs)

How to Order



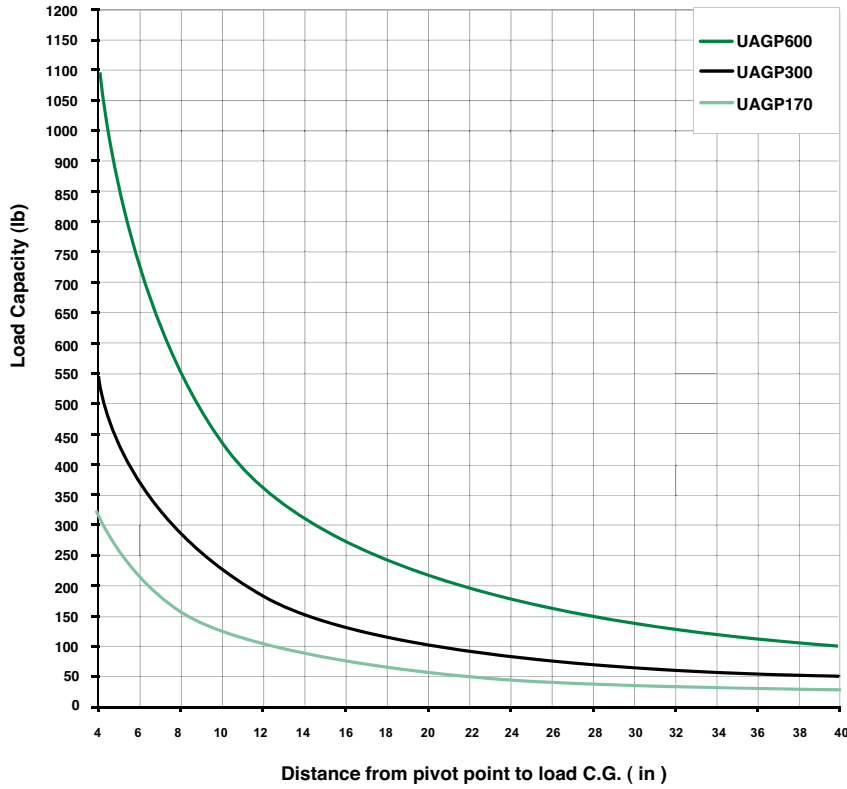


UAGP Series Pneumatic Power Pivot

Maximum Applicable Load

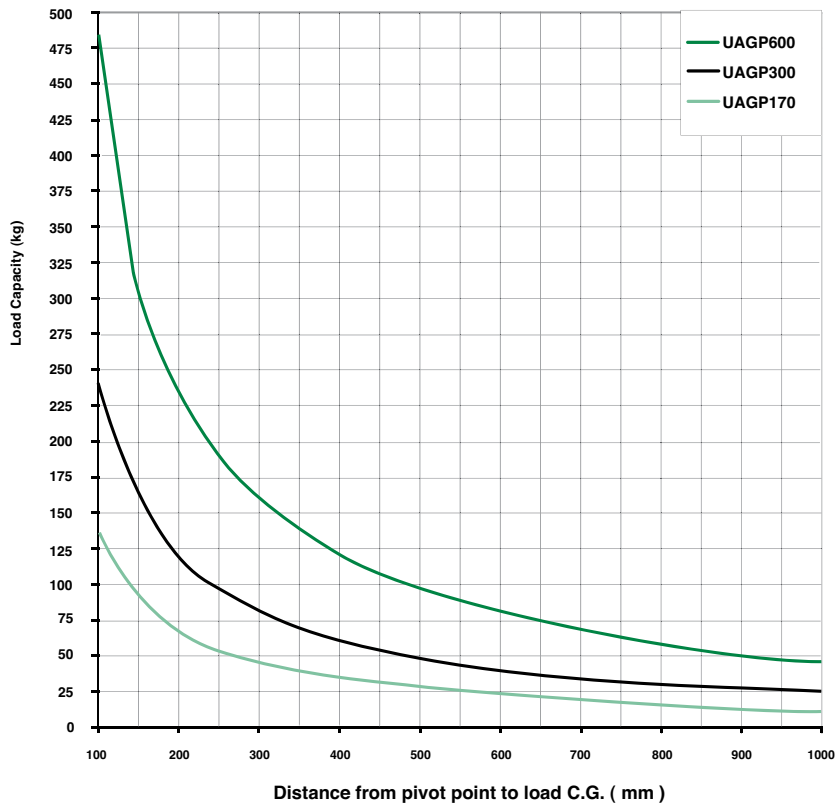
English

operating pressure : 60 PSI



Metric

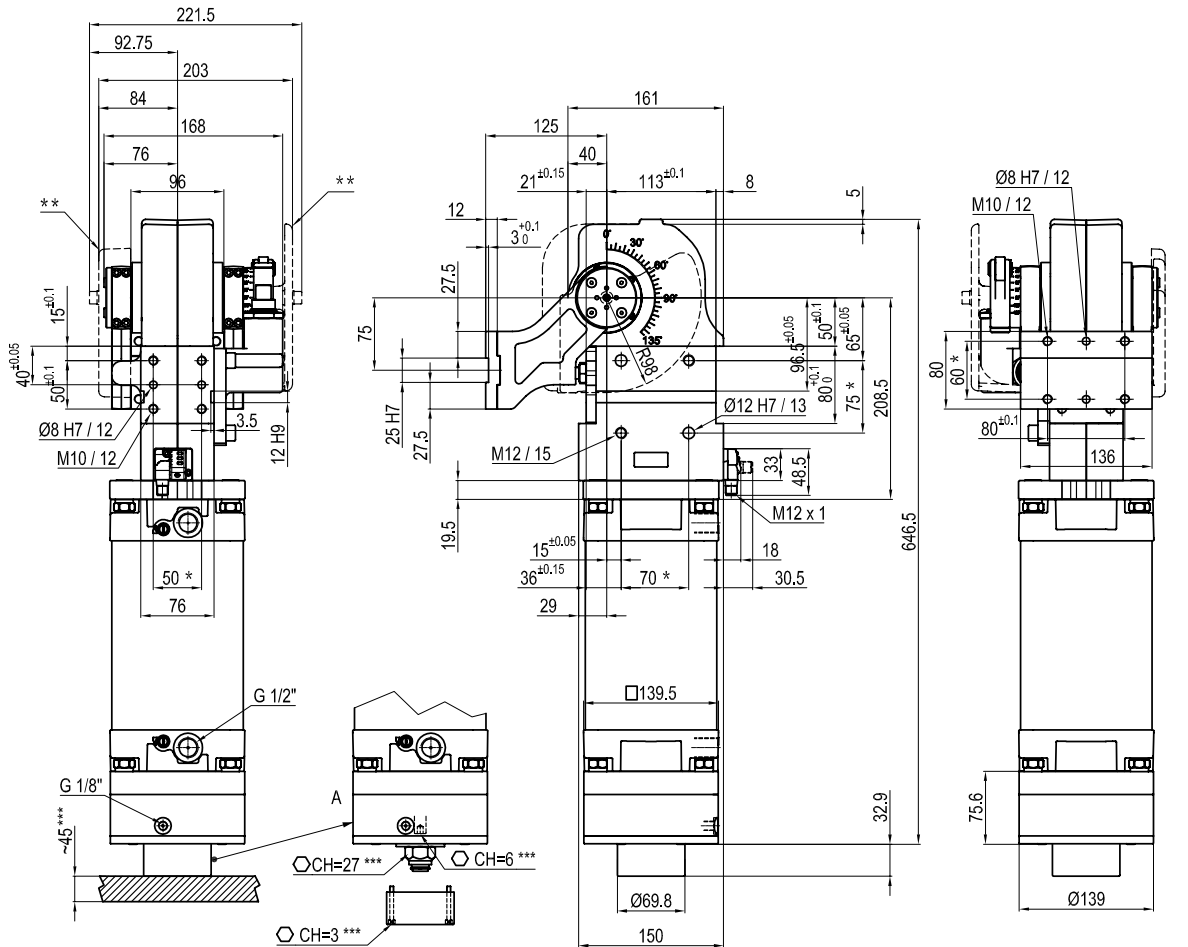
operating pressure : 4 bar



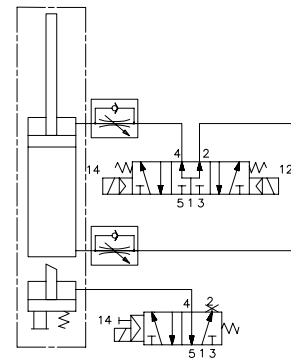
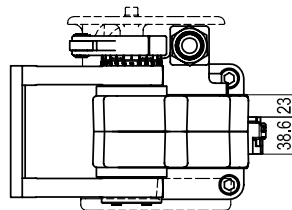


UAGP Series Pneumatic Power Pivot

UAGP170VU_B Pneumatic Power Pivot



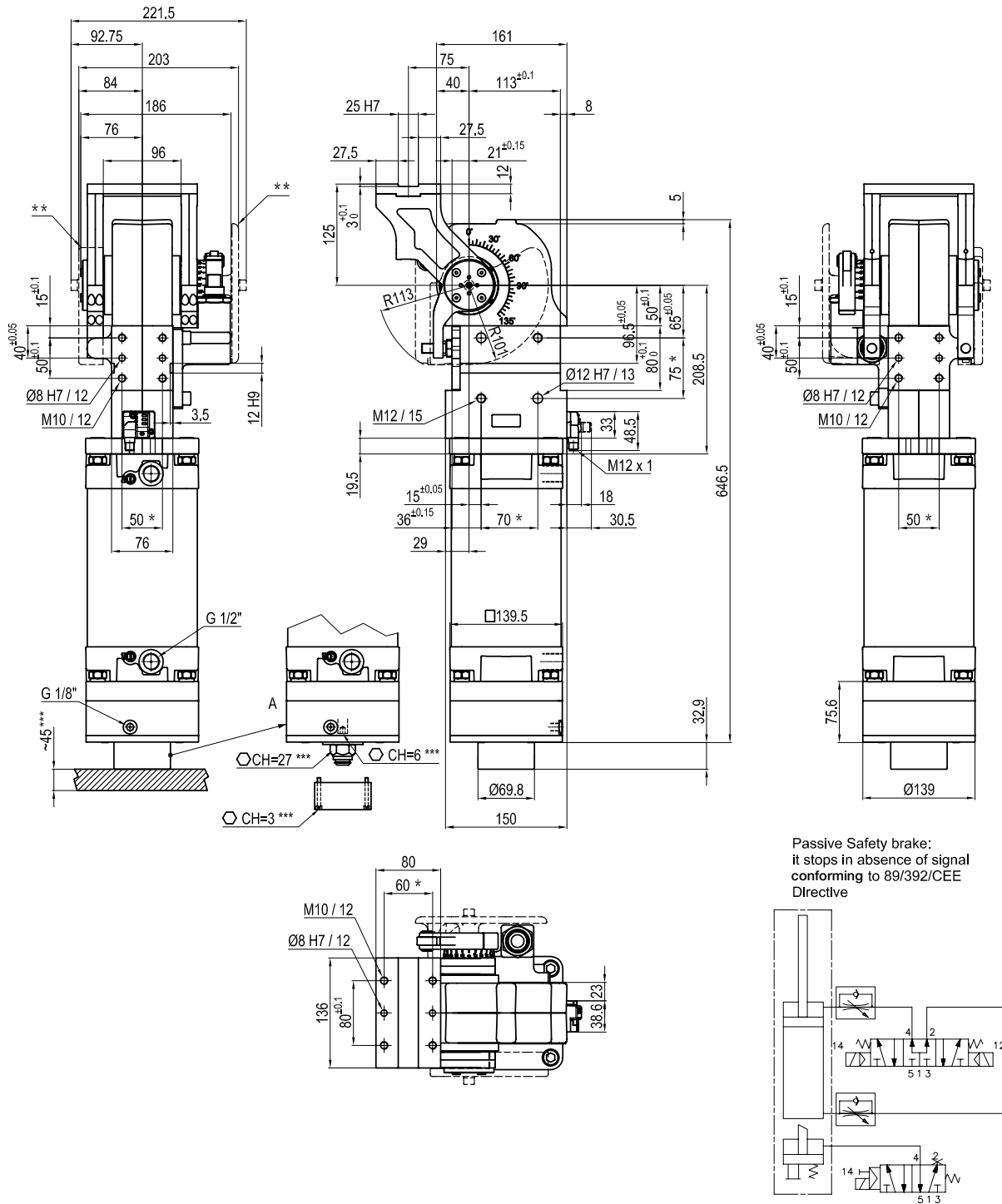
Passive Safety brake:
it stops in absence of signal
conforming to 89/392/CEE
Directive



- * : TOLERANCE BETWEEN DOWEL HOLES ± 0.02 , TO SCREW HOLES ± 0.1
- ** : TO BE ORDERED SEPARATELY
- *** : AREA TO ACCESS THE MANUAL UNBLOCKING OF THE SAFETY BRAKE



UAGP1700U_B Pneumatic Power Pivot

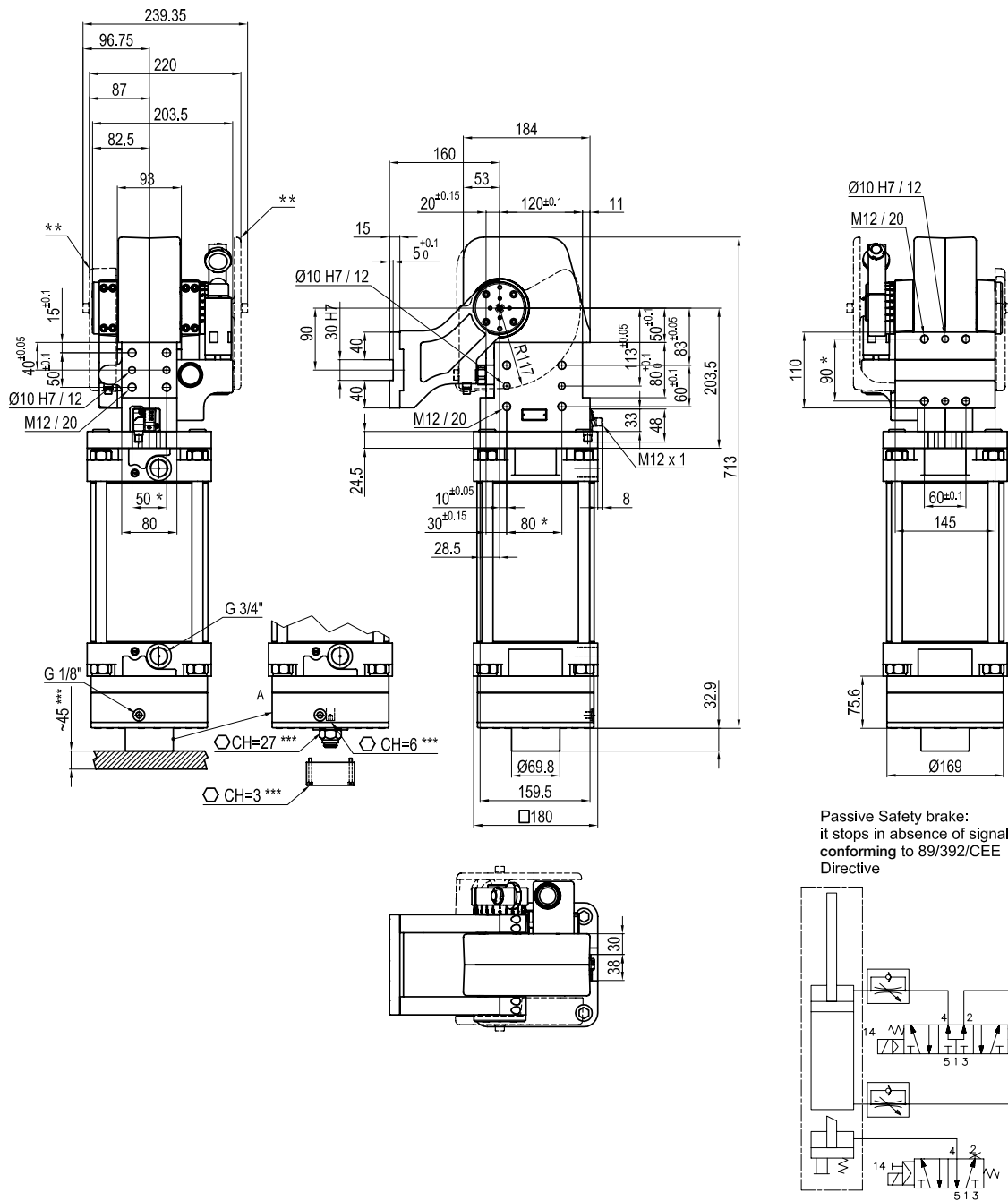


* : TOLERANCE BETWEEN DOWEL HOLES ± 0.02, TO SCREW HOLES ± 0.1
 ** : TO BE ORDERED SEPARATELY
 *** : AREA TO ACCESS THE MANUAL UNBLOCKING OF THE SAFETY BRAKE



UAGP Series Pneumatic Power Pivot

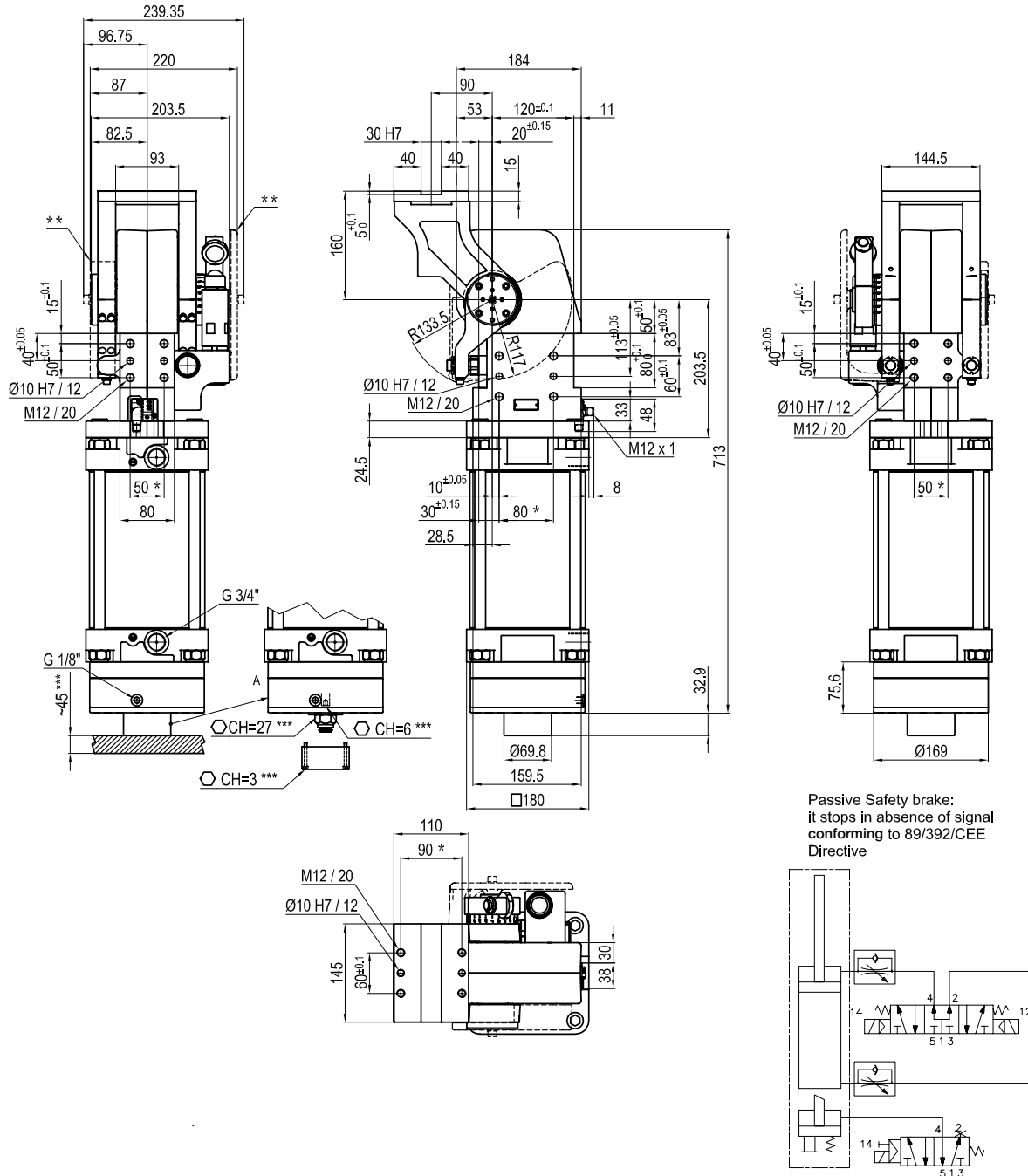
UAGP300VU_B Pneumatic Power Pivot



- * : TOLERANCE BETWEEN DOWEL HOLES ± 0.02, TO SCREW HOLES ± 0.1
- ** : TO BE ORDERED SEPARATELY
- *** : AREA TO ACCESS THE MANUAL UNBLOCKING OF THE SAFETY BRAKE



UAGP300OU_B Pneumatic Power Pivot

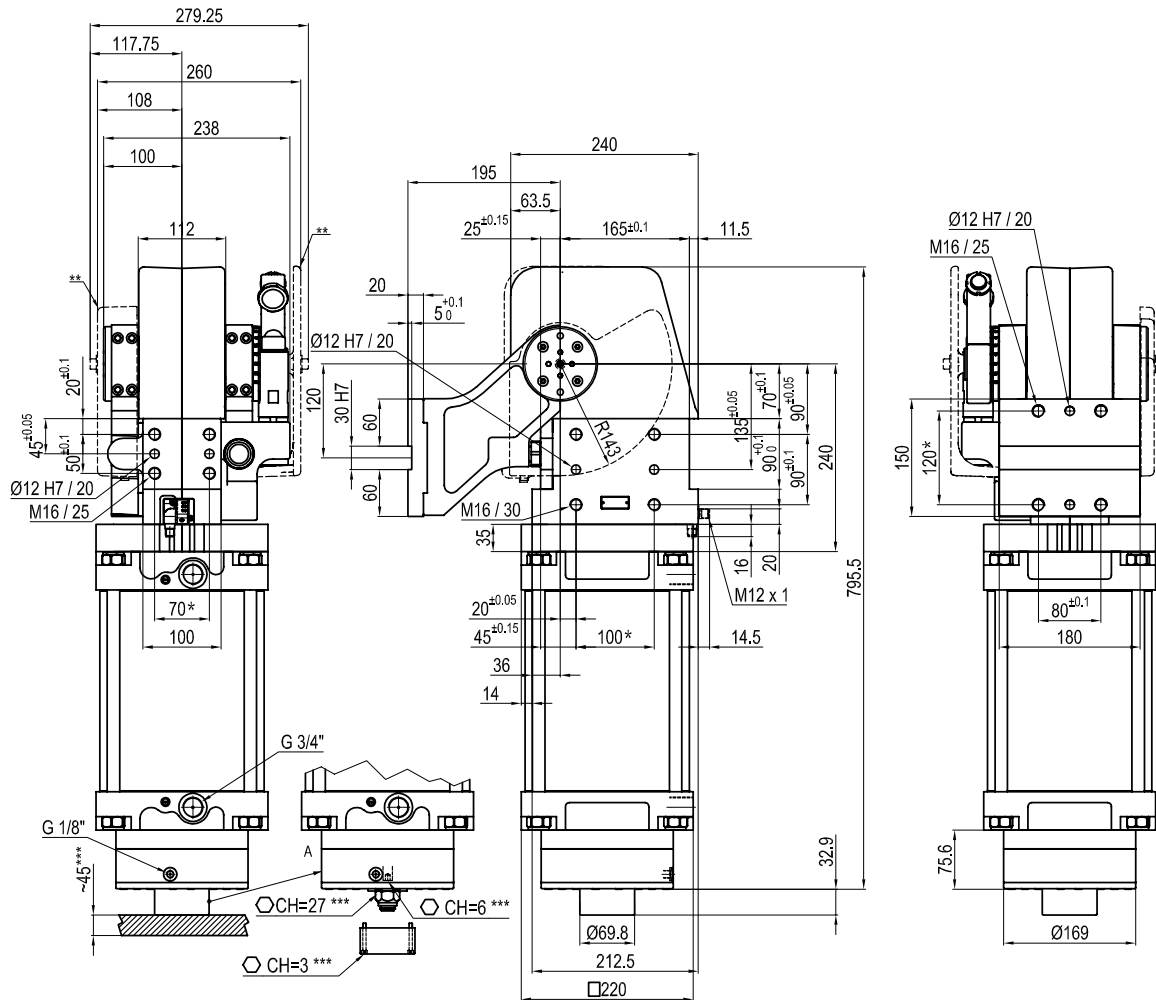


* : TOLERANCE BETWEEN DOWEL HOLES ± 0.02 , TO SCREW HOLES ± 0.1
 ** : TO BE ORDERED SEPARATELY
 *** : AREA TO ACCESS THE MANUAL UNBLOCKING OF THE SAFETY BRAKE

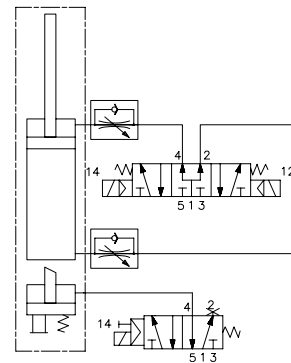


UAGP Series Pneumatic Power Pivot

UAGP600VU_B Pneumatic Power Pivot



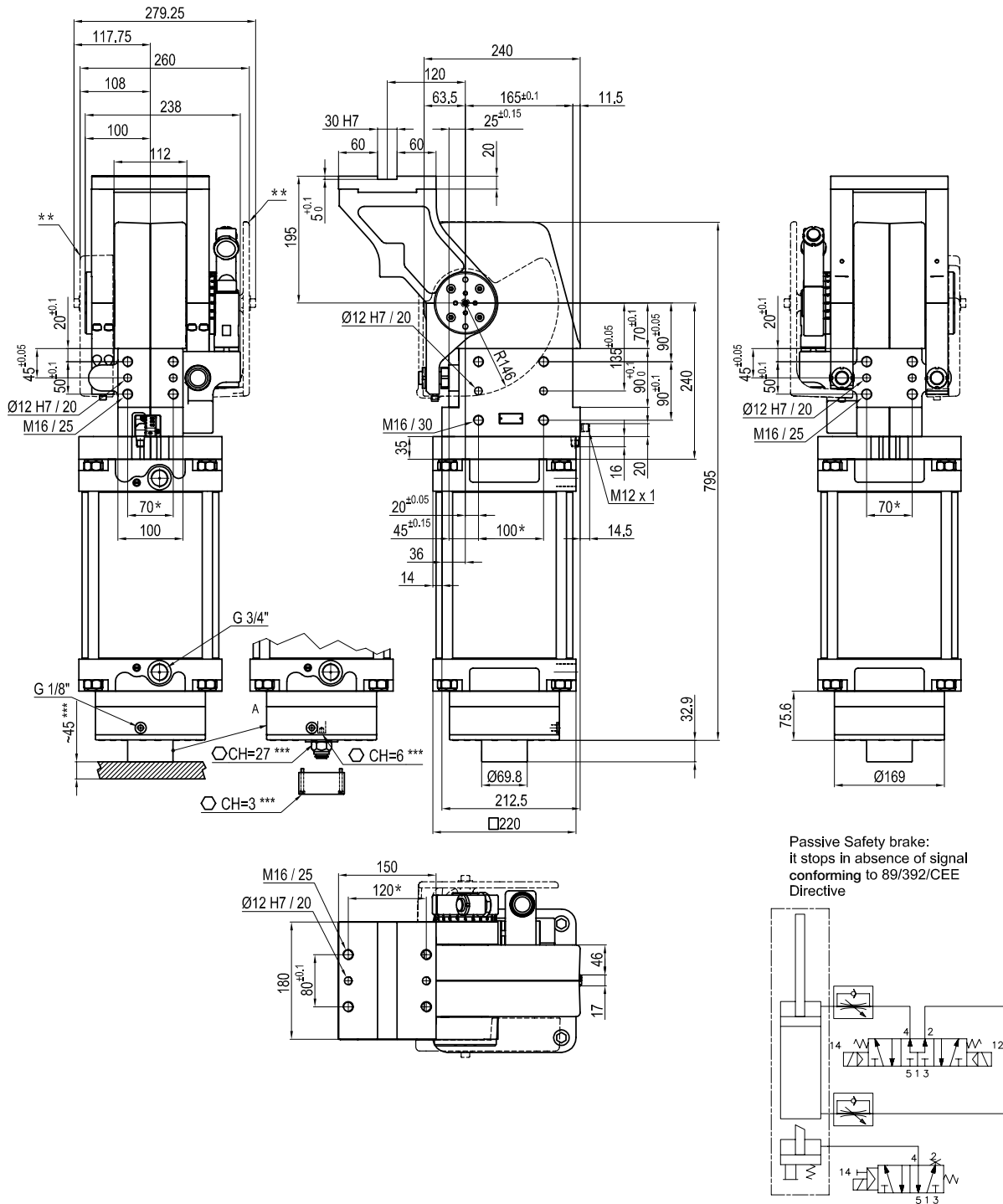
Passive Safety brake:
it stops in absence of signal
conforming to 89/392/CEE
Directive



- * : TOLERANCE BETWEEN DOWEL HOLES ± 0.02 , TO SCREW HOLES ± 0.1
- ** : TO BE ORDERED SEPARATELY
- *** : AREA TO ACCESS THE MANUAL UNBLOCKING OF THE SAFETY BRAKE



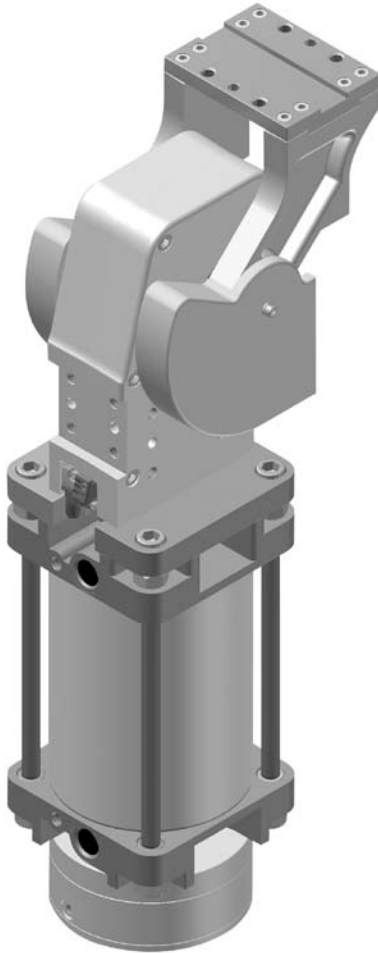
UAGP600OU_B Pneumatic Power Pivot



- * : TOLERANCE BETWEEN DOWEL HOLES ± 0.02 , TO SCREW HOLES ± 0.1
- ** : TO BE ORDERED SEPARATELY
- *** : AREA TO ACCESS THE MANUAL UNBLOCKING OF THE SAFETY BRAKE



LAGP Series Pneumatic Power Pivot



Features

- Available in three different sizes
- Four standard opening angles available
- Optional integrated stopping brake
- Saddle is chrome-plated steel that has a precision ground surface and is case hardened
- Linear motion guided by roller bearings and hardened steel guide
- Rotary motion guided by conical roller bearings
- External pre-stop assures accuracy and repeatability of saddle
- Remains locked in closed position even when air pressure is removed
- Unique "programmable" all metal sensor with M12 swivel connector

General Specifications

Weight:

LAGP170: 23 Kg (50.7 lbs)

LAGP300: 35 Kg (77.2 lbs)

LAGP600: 52 Kg (114.6 lbs)

Operating Pressure:

Minimum: 2.75 Bar (40 PSI)

Maximum: 8 Bar (115 PSI)

Note: Brake requires minimum pressure of 4.5 Bar (65 PSI)

Operating Temperature: 5° to 45° C (40° to 113°F)

Class Protection: IP65

Opening Angles: 45°, 60°, 90°, 120°

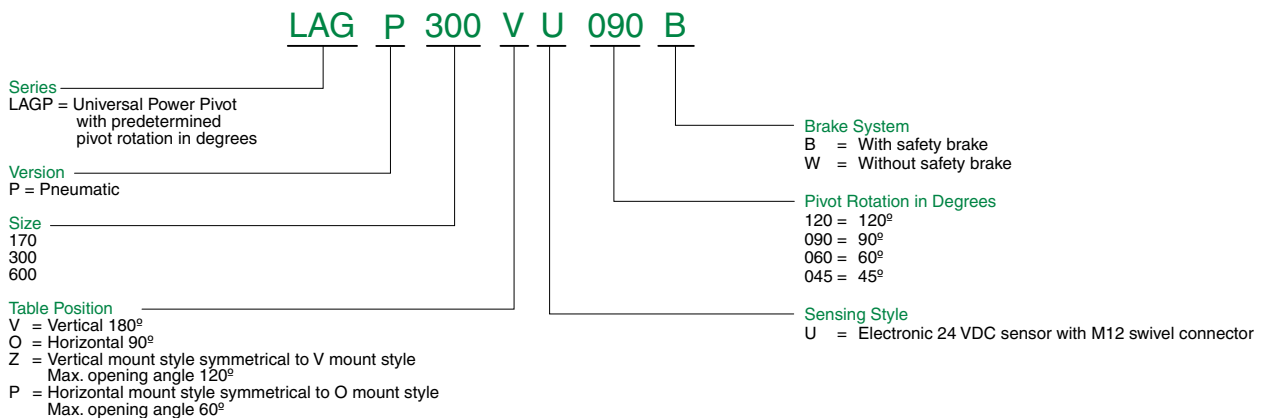
Holding Capacity

LAGP170: 4000 Nm (2950 ft-lbs)

LAGP300: 6000 Nm (4425 ft-lbs)

LAGP600: 8000 Nm (5900 ft-lbs)

How to Order



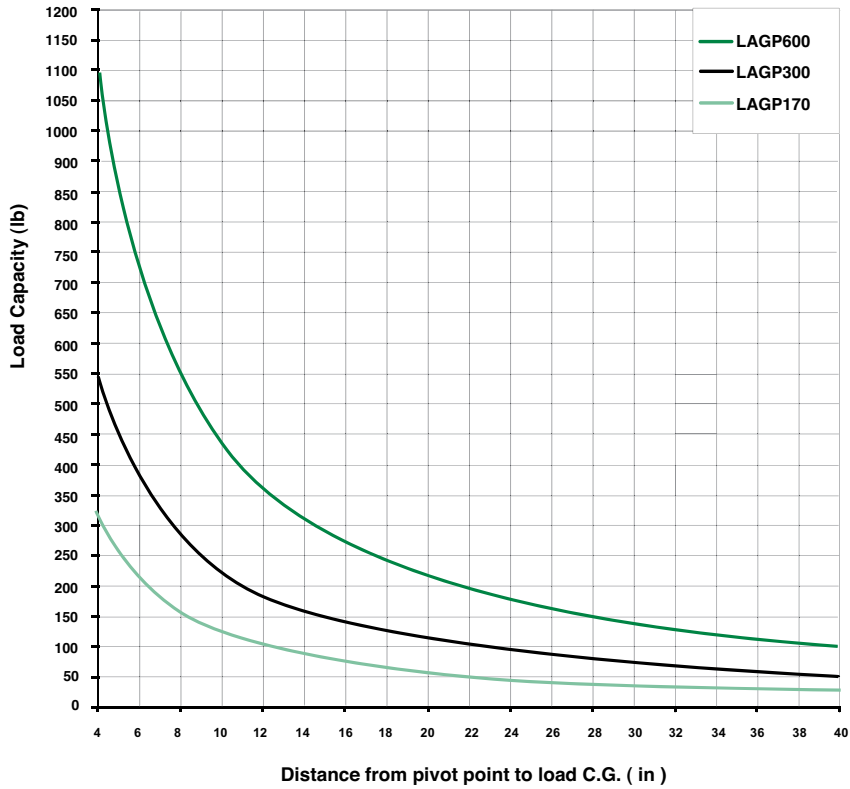


LAGP Series Pneumatic Power Pivot

Maximum Applicable Load

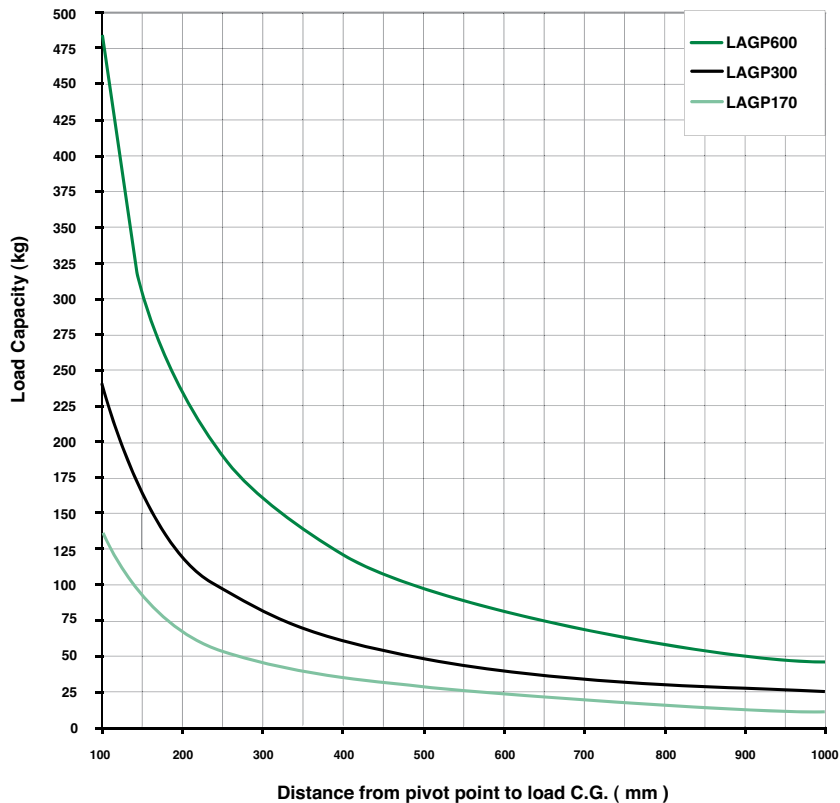
English

operating pressure : 60 PSI



Metric

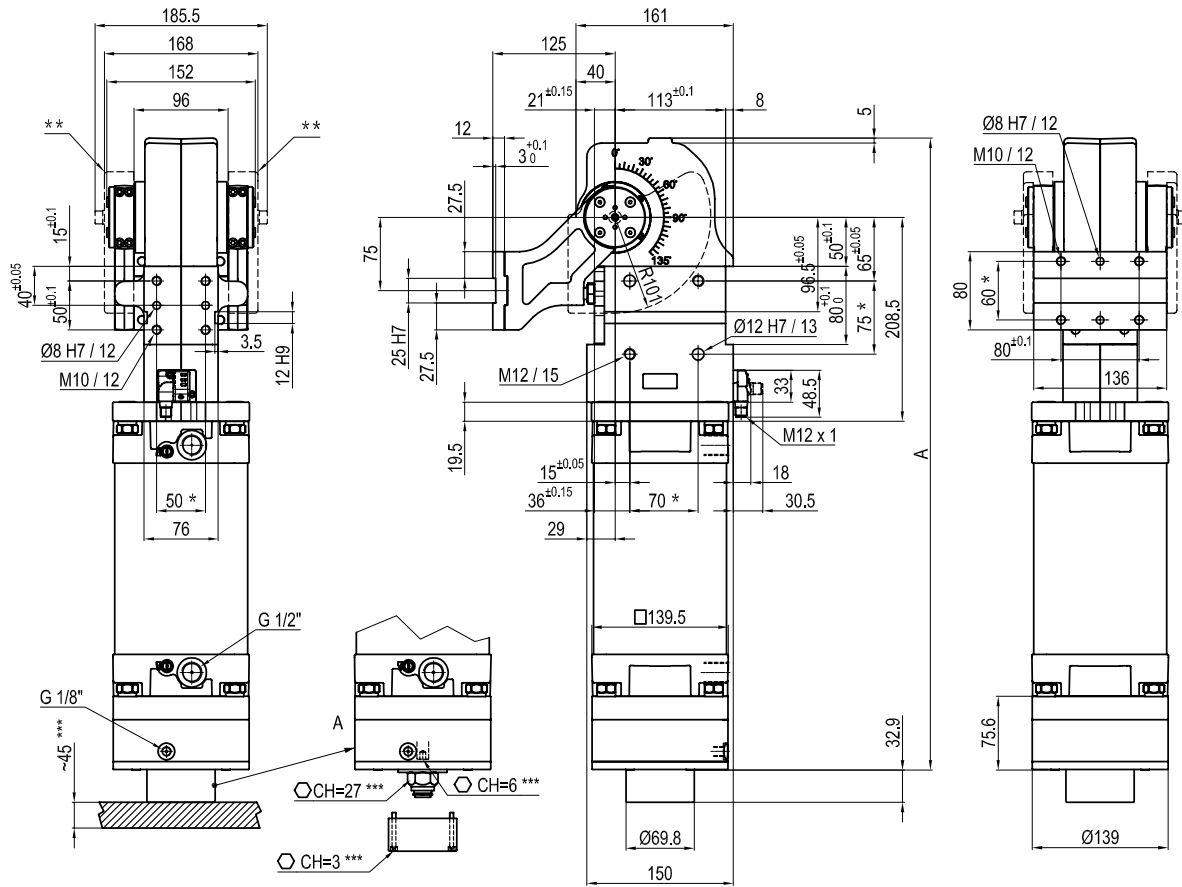
operating pressure : 4 bar





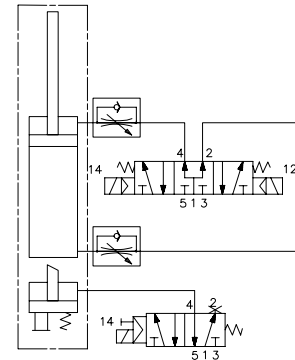
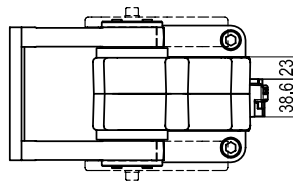
LAGP Series Pneumatic Power Pivot

LAGP170VU__ B Pneumatic Power Pivot



Passive Safety brake:
it stops in absence of signal
conforming to 89/392/CEE
Directive

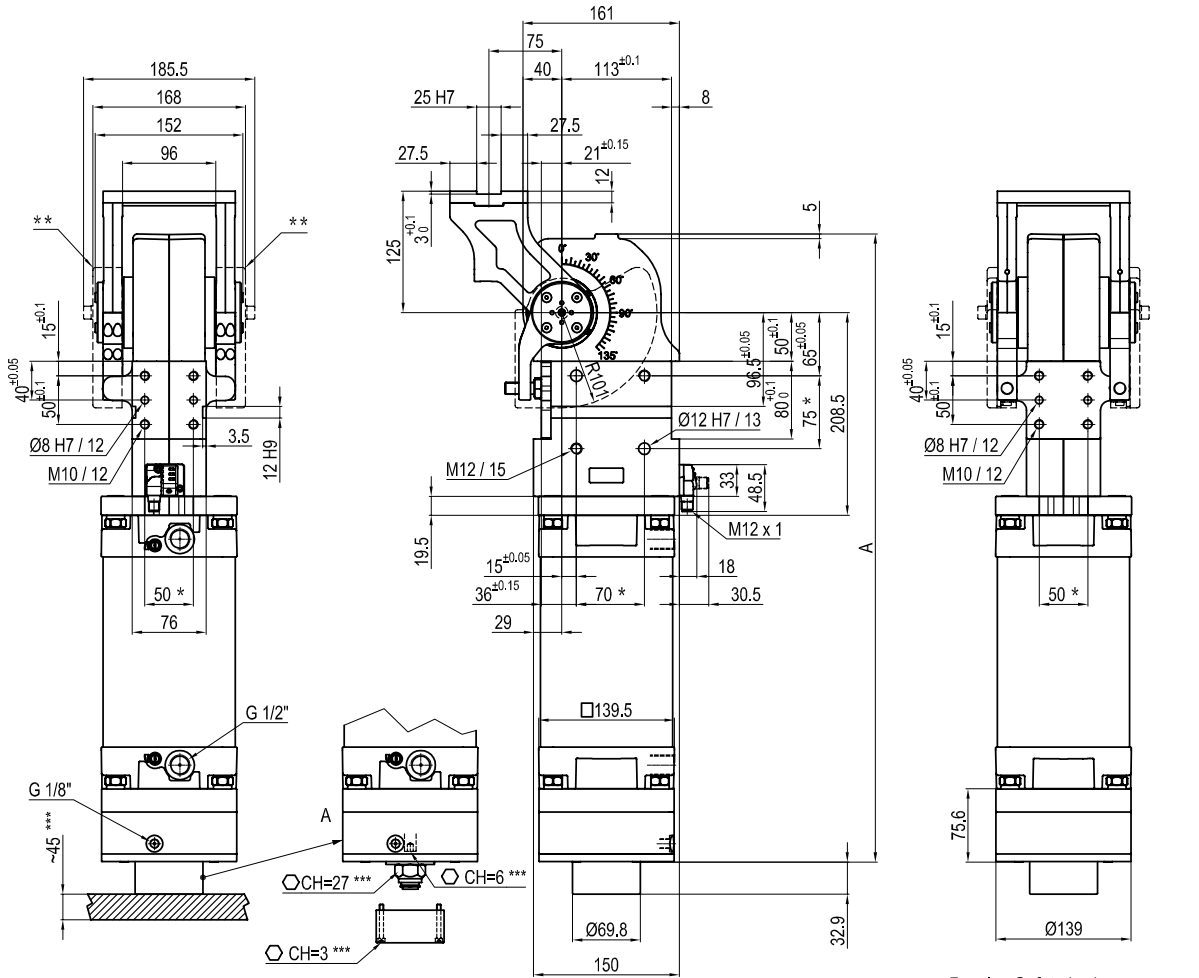
Pivot rotation in degrees	A
45°	584.5
60°	596
90°	621
120°	646.5



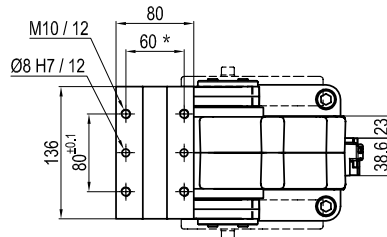
- * : TOLERANCE BETWEEN DOWEL HOLES ± 0.02 , TO SCREW HOLES ± 0.1
- ** : TO BE ORDERED SEPARATELY
- *** : AREA TO ACCESS THE MANUAL UNBLOCKING OF THE SAFETY BRAKE



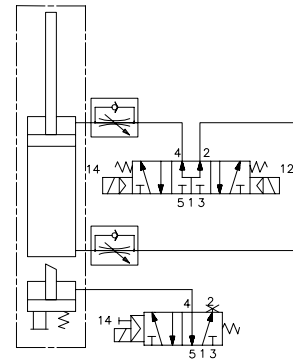
LAGP170OU__B Pneumatic Power Pivot



Pivot rotation in degrees	A
45°	584.5
60°	596
90°	621
120°	646.5



Passive Safety brake:
it stops in absence of signal
conforming to 89/392/CEE
Directive

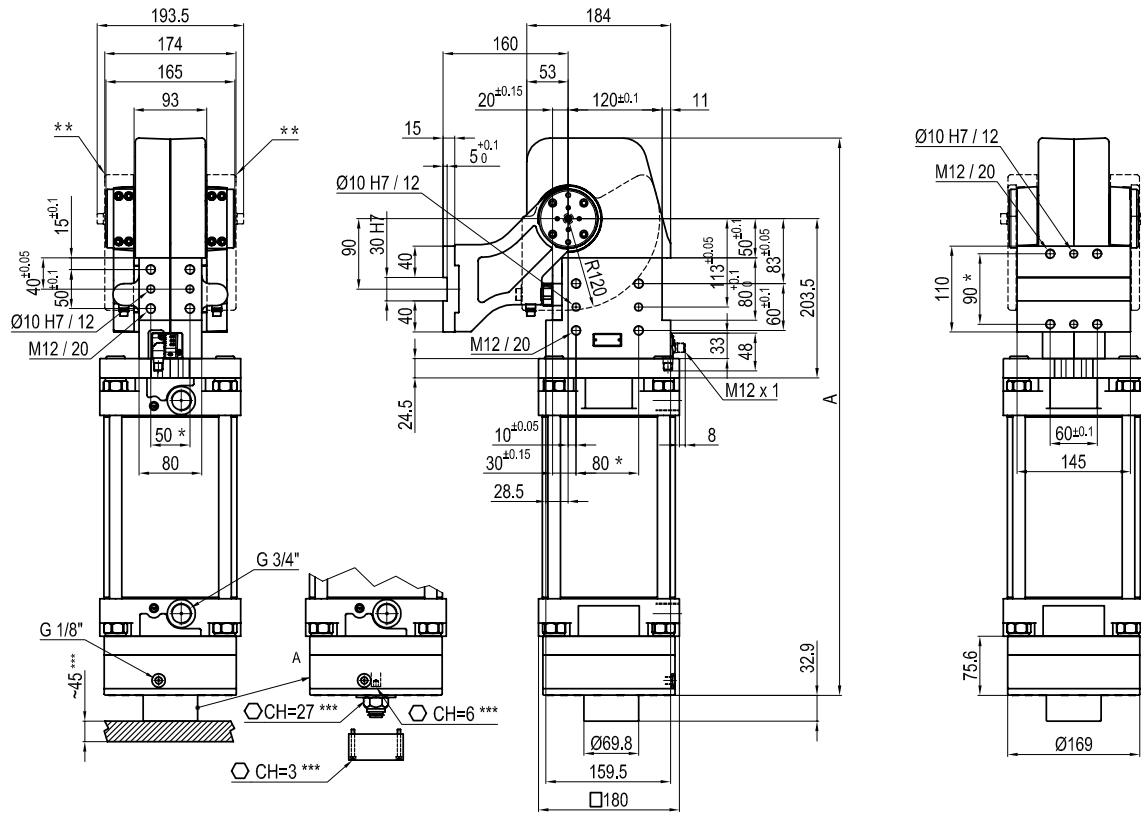


- * : TOLERANCE BETWEEN DOWEL HOLES ± 0.02, TO SCREW HOLES ± 0.1
- ** : TO BE ORDERED SEPARATELY
- *** : AREA TO ACCESS THE MANUAL UNBLOCKING OF THE SAFETY BRAKE



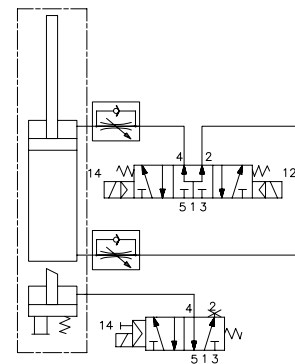
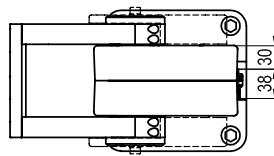
LAGP Series Pneumatic Power Pivot

LAGP300VU__B Pneumatic Power Pivot



Passive Safety brake:
it stops in absence of signal
conforming to 89/392/CEE
Directive

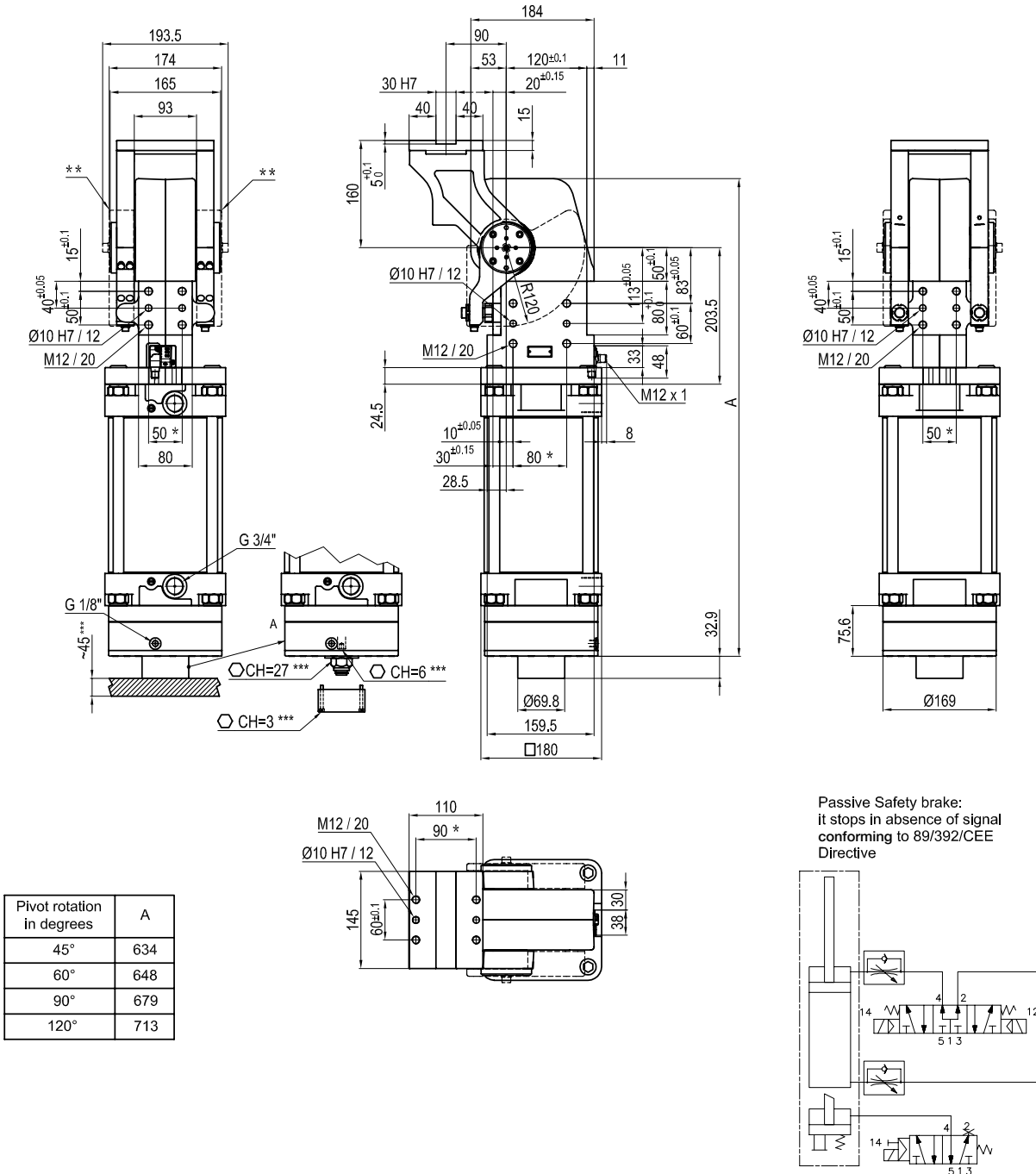
Pivot rotation in degrees	A
45°	634
60°	648
90°	679
120°	713



* : TOLERANCE BETWEEN DOWEL HOLES ± 0.02 , TO SCREW HOLES ± 0.1
 ** : TO BE ORDERED SEPARATELY
 *** : AREA TO ACCESS THE MANUAL UNBLOCKING OF THE SAFETY BRAKE



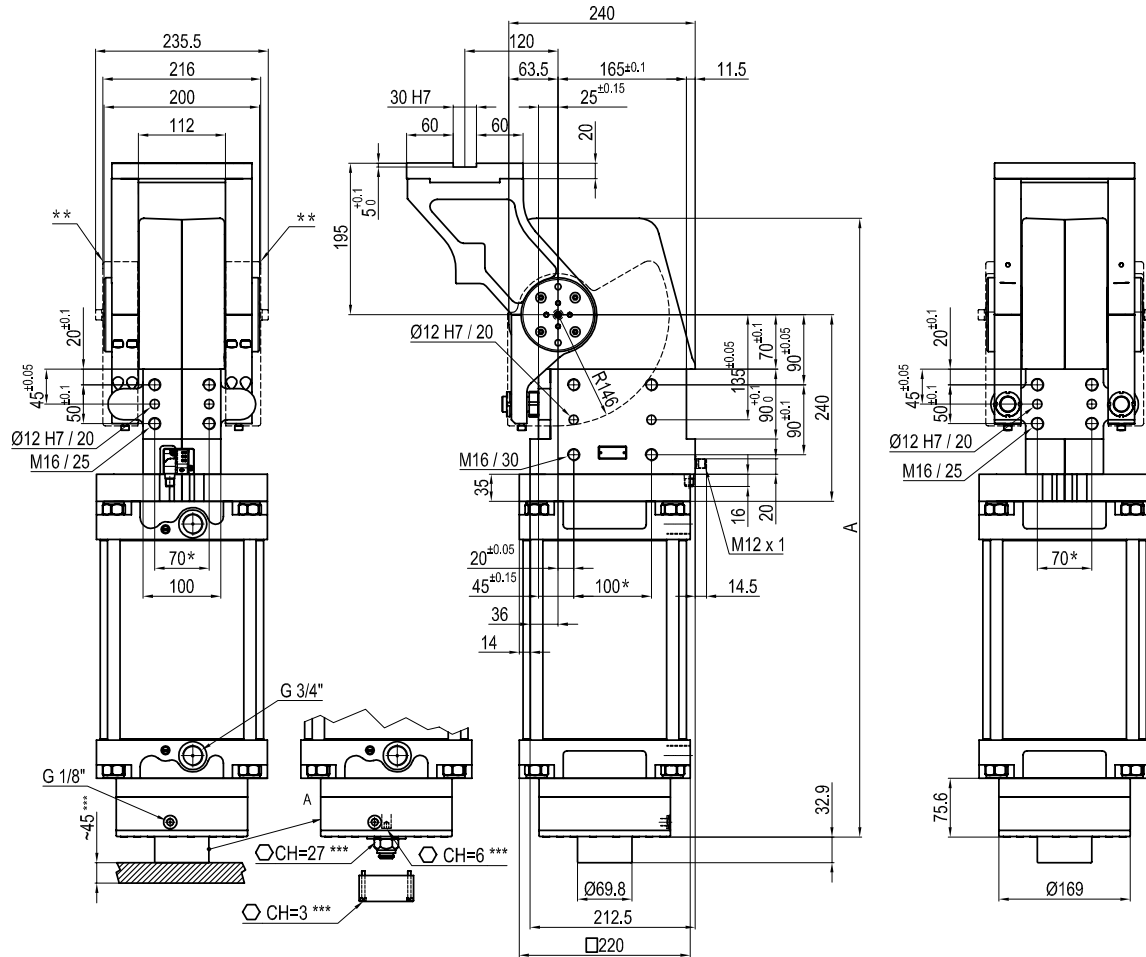
LAGP300OU__B Pneumatic Power Pivot



- * : TOLERANCE BETWEEN DOWEL HOLES ± 0.02 , TO SCREW HOLES ± 0.1
- ** : TO BE ORDERED SEPARATELY
- *** : AREA TO ACCESS THE MANUAL UNBLOCKING OF THE SAFETY BRAKE

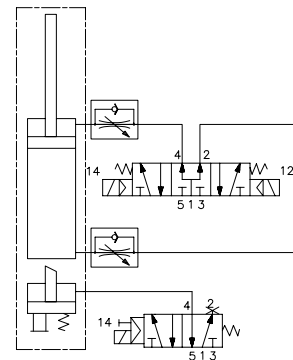


LAGP600OU__B Pneumatic Power Pivot

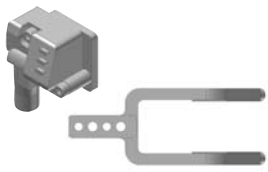


Pivot rotation in degrees	A
45°	702.5
60°	718.5
90°	754.5
120°	795.5

Passive Safety brake:
it stops in absence of signal
conforming to 89/392/CEE
Directive



- * : TOLERANCE BETWEEN DOWEL HOLES ± 0.02, TO SCREW HOLES ± 0.1
- ** : TO BE ORDERED SEPARATELY
- *** : AREA TO ACCESS THE MANUAL UNBLOCKING OF THE SAFETY BRAKE

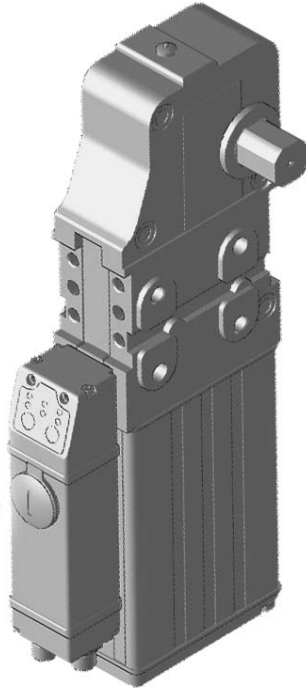


Electronic 24 VDC Sensor Cartridge

Model Number	Sensor Cartridge Part Number
UNP50 Clamp	DF-UB
UNP63 Clamp	DF-UB
UNP80 Clamp	DF-UBO170
UBP40 Clamp	DF-UB
UBP50 Clamp	DF-UB
UBP63 Clamp	DF-UB
UBP80 Clamp	DF-UBO170
UGP40 Gripper	DF-UB
LSP50 Pin Clamp	DF-USGU
LTP50 Pin Clamp	DF-USGU
UAGP170 Power Pivot	DF-UBO170
UAGP300 Power Pivot	DF-UO300
UAGP600 Power Pivot	DF-UO600
LAGP170 Power Pivot	DF-UBO170
LAGP300 Power Pivot	DF-UO300
LAGP600 Power Pivot	DF-UO600

UBP Series Standard Wishbone Arms

Model Number	Sensor Cartridge Part Number
UBP40 Central Arm	LKP01CST
UBP40 Right Arm	LKP01DST
UBP40 Left Arm	LKP01SST
UBP50 Central Arm	LKP00CL
UBP50 Right Arm	LKP00DL
UBP50 Left Arm	LKP00SL
UBP63 Central Arm	LKP00CL
UBP63 Right Arm	LKP00DL
UBP63 Left Arm	LKP00SL
UBP80 Central Arm	LKP80C
UBP80 Right Arm	LKP80D
UBP80 Left Arm	LKP80S



Features

- Simple 24 VDC Digital Control (2 in / 2 out) via standard M12 connectors
- Modular electronics for ease of maintainability
- Single or dual cable control option
- Built in "obstruction" detection
- Integral brake maintains arm position any time power is lost
- Mechanical indicator identifies when clamp mechanism is locked
- Powered and unpowered manual override
- Adjustable opening angle
- Conforms to NAAMS Standards
- Blade and foot mounting
- Unique linkage design ensures positional repeatability
- Linear and rotary motion guided by roller bearings
- Remains locked in closed position even when power is removed

General Specifications

Weight:

LNE 225: 3.9 Kg (8.6 lbs)

LNE350: 3.9 Kg (8.6 lbs)

LNE950: 11.5 Kg (25.4 lbs)

Operating Temperature: 5° to 40° C (40° to 105°F)

Class Protection: IP65

Opening Angles:

15°, 30°, 45°, 60°, 75°, 90°, 105°, 120°, 130°

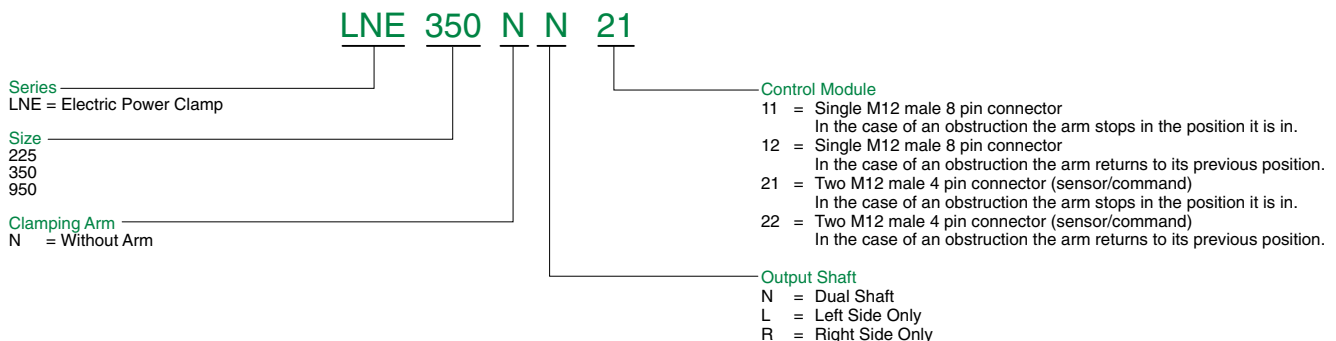
Holding Capacity:

LNE 225: 1250 Nm (11063 in-lbs)

LNE350: 1750 Nm (15488 in-lbs)

LNE950: 4000 Nm (35402 in-lbs)

How to Order

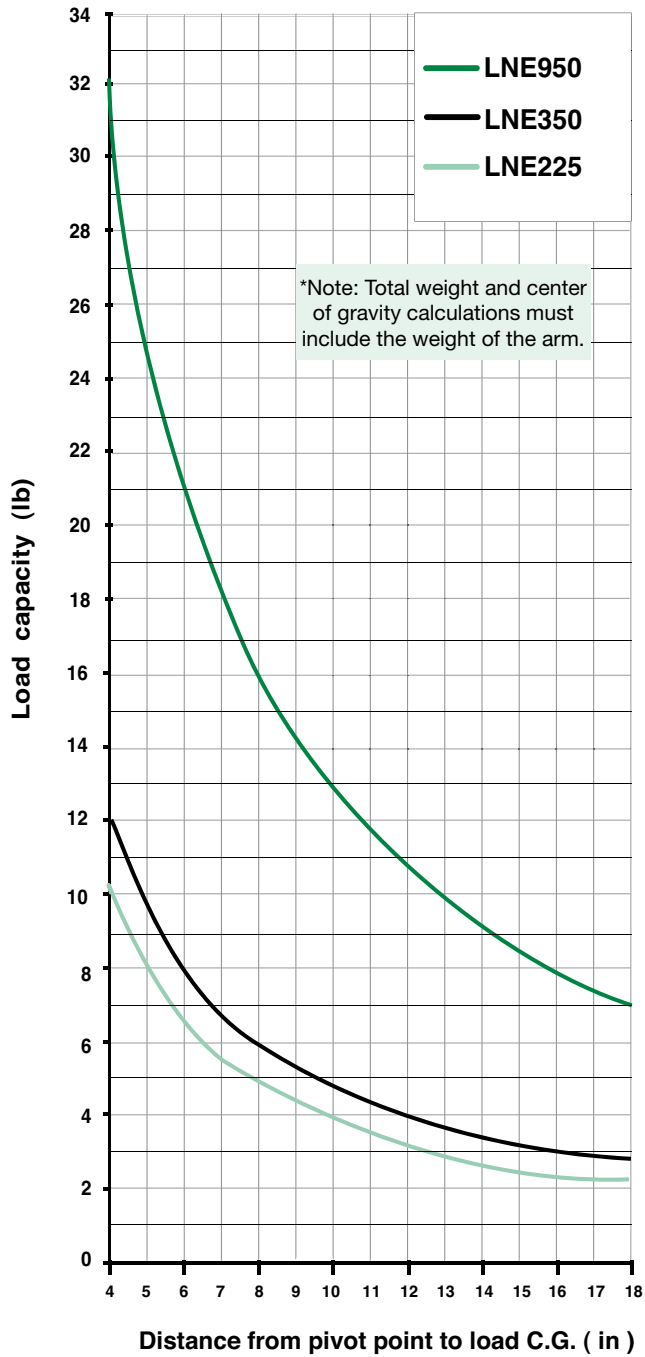




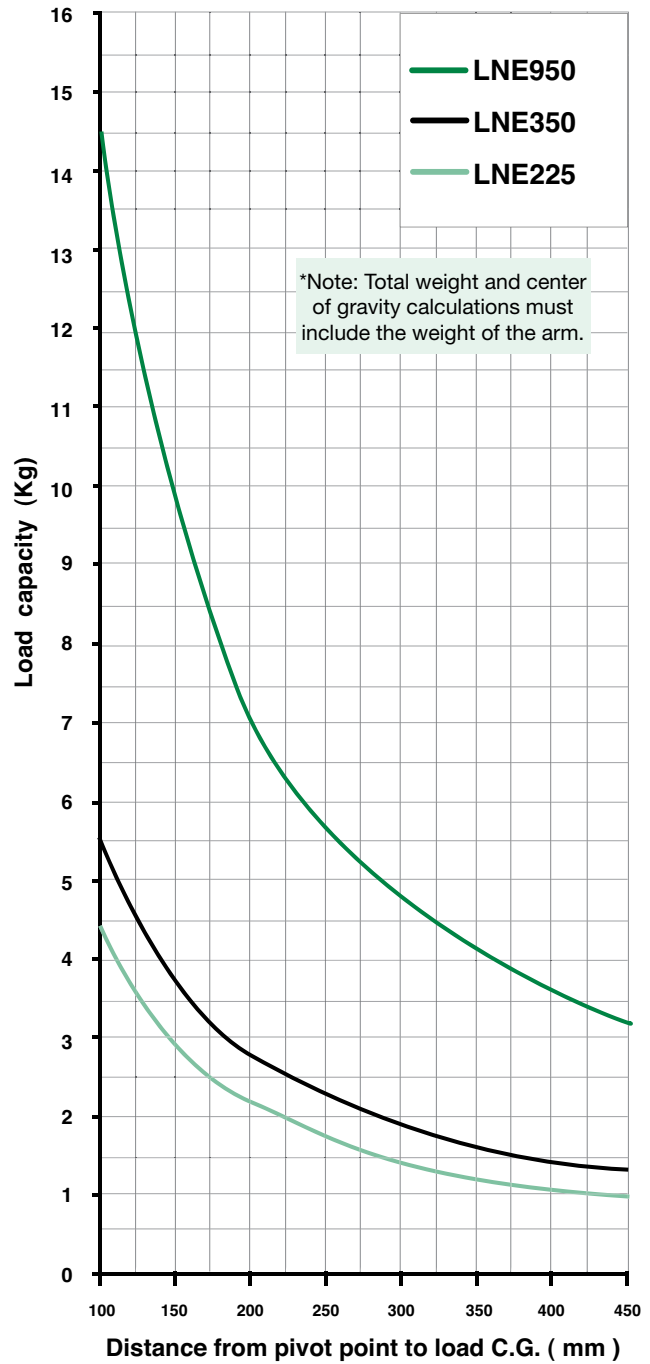
LNE Series Electric Power Clamp

Maximum Applicable Load

English



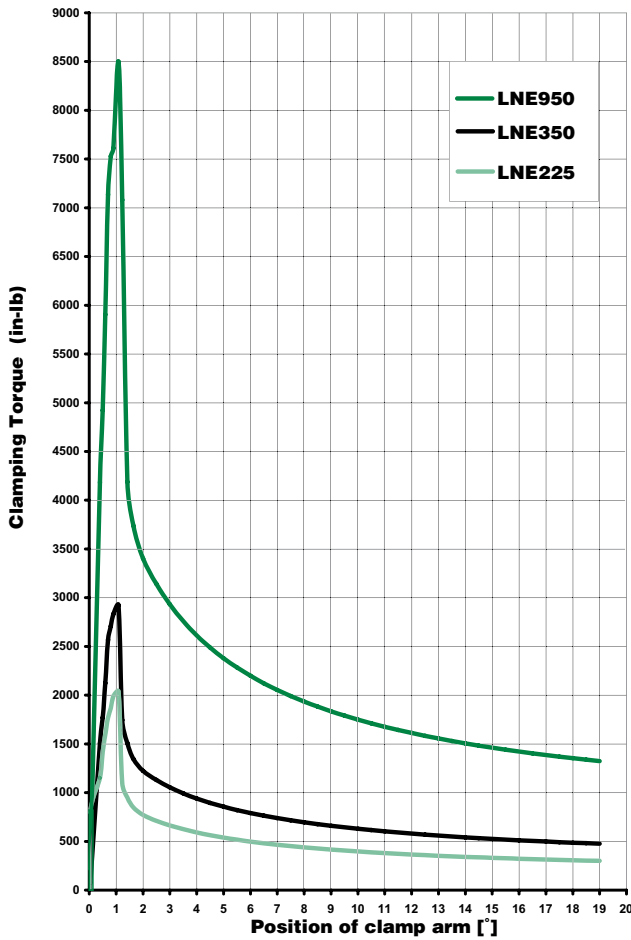
Metric



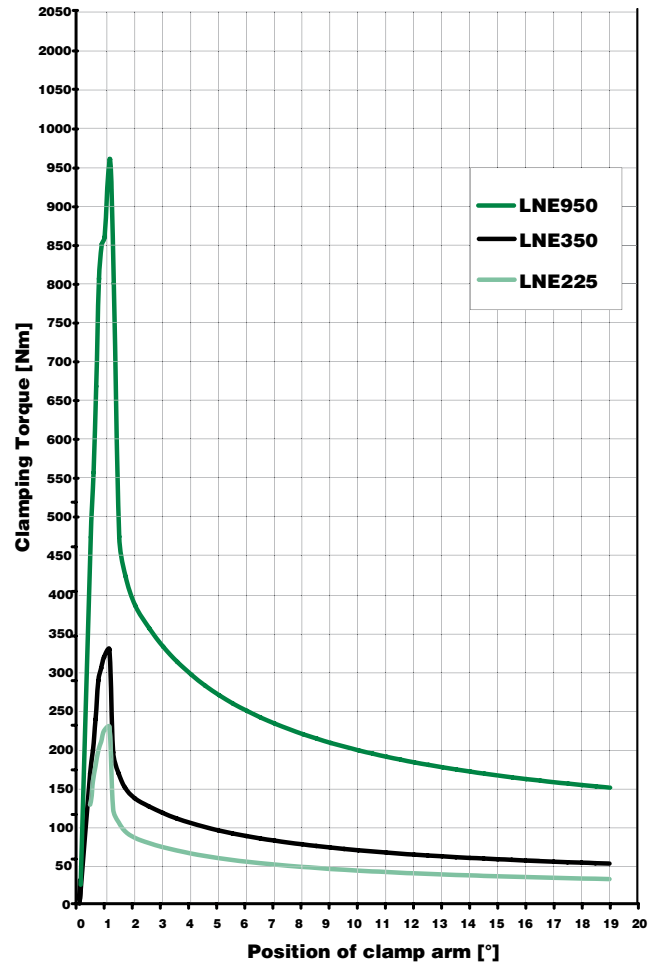


Maximum Clamping Torque

English



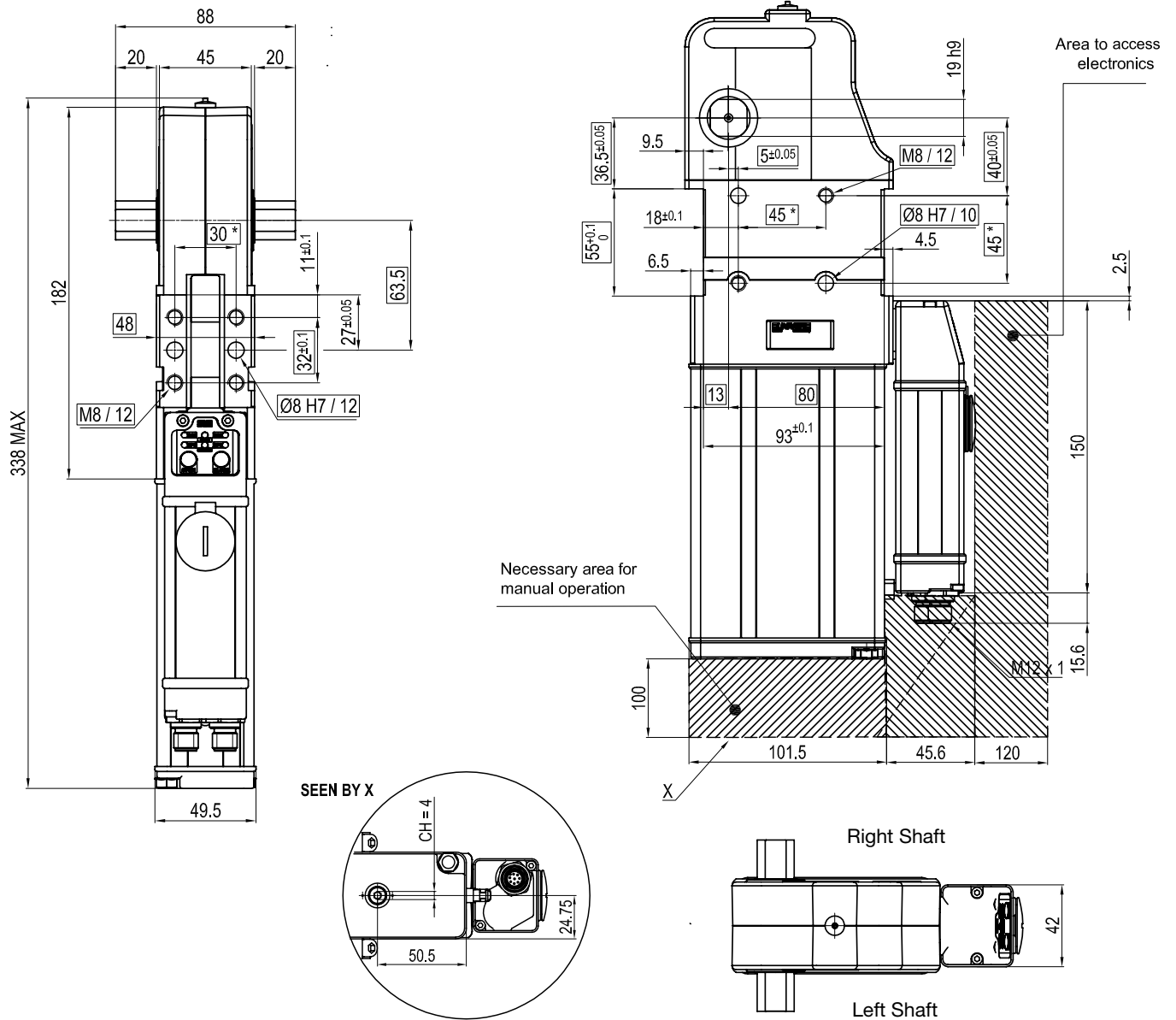
Metric





LNE Series Electric Power Clamp

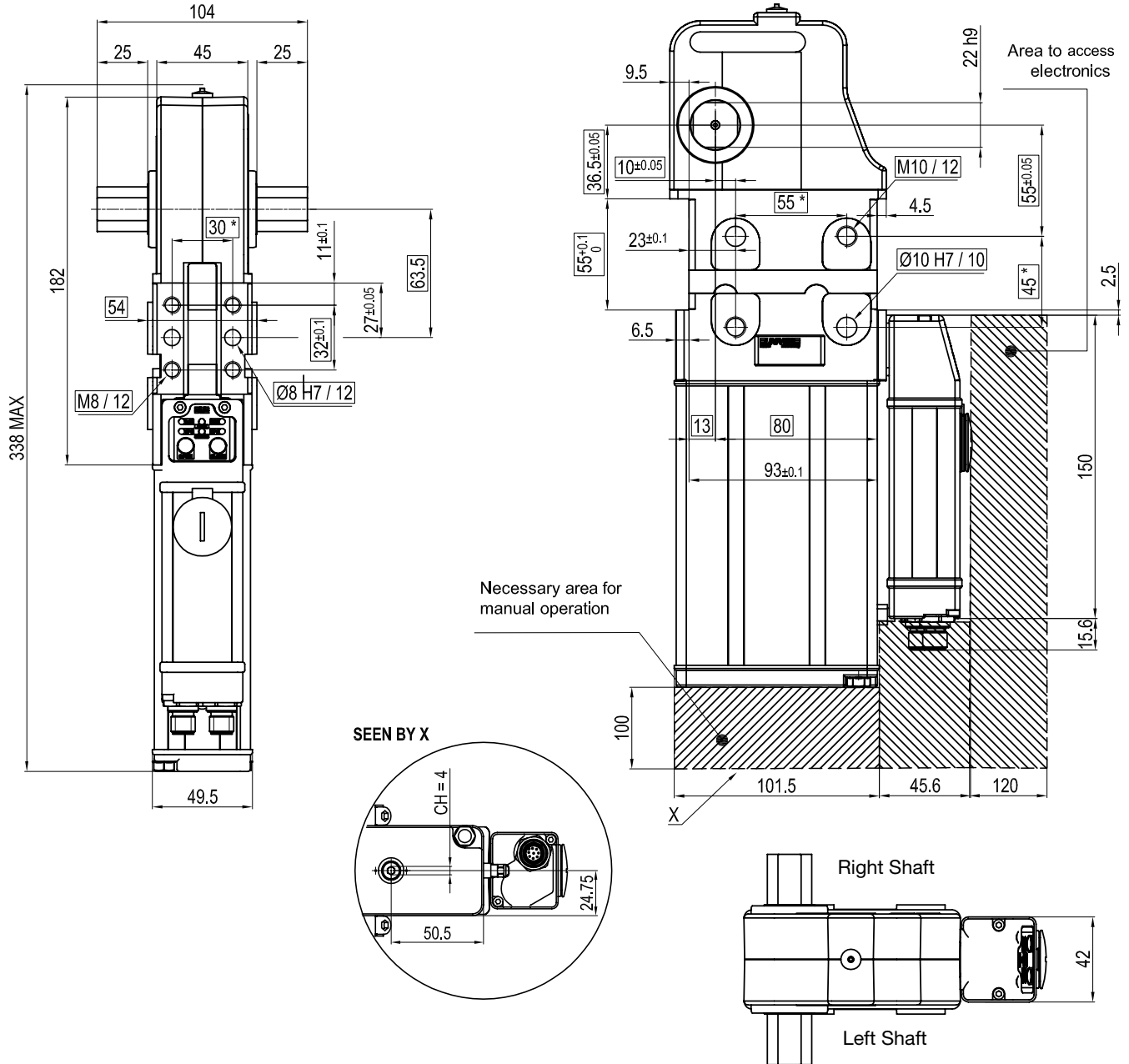
LNE225N__ Electric Power Clamp



*: TOLERANCE FOR DOWEL HOLES ± 0.02
 FOR SCREW HOLES ± 0.1
 The quotas in the panel refer to NAAMS norms



LNE350N__ Electric Power Clamp

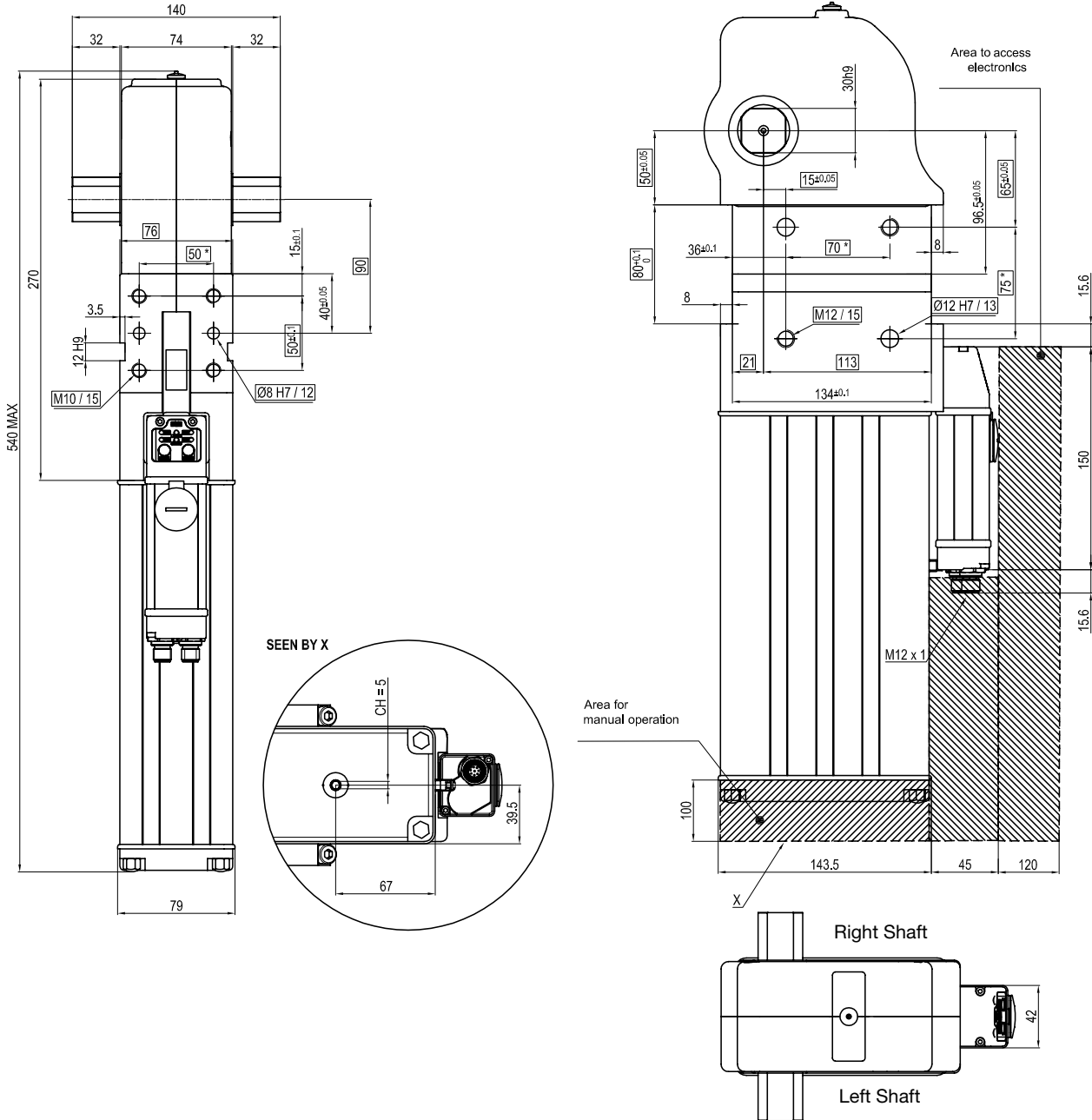


*: TOLERANCE FOR DOWEL HOLES ± 0.02
 FOR SCREW HOLES ± 0.1
 The quotas in the panel refer to NAAMS norms



LNE Series Electric Power Clamp

LNE950N__ Electric Power Clamp

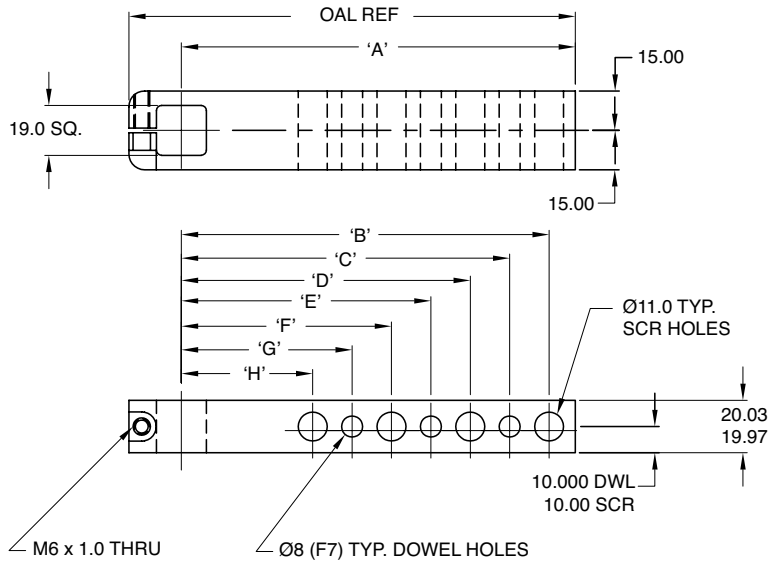


*: TOLERANCE FOR DOWEL HOLES ± 0.02
 FOR SCREW HOLES ± 0.1
 The quotas in the panel refer to NAAMS norms



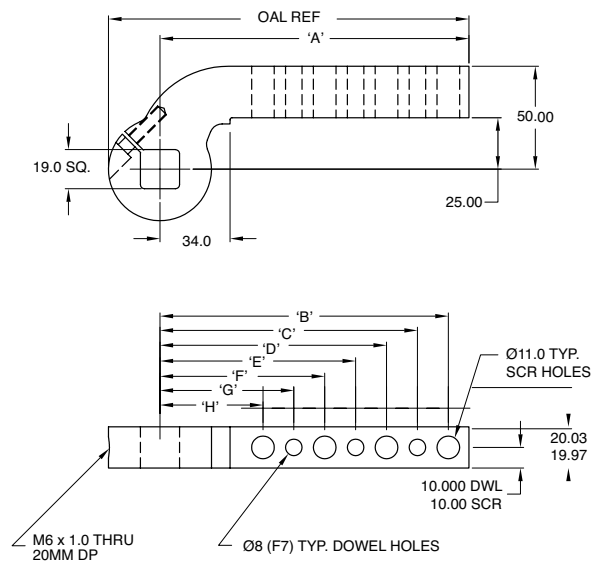
LNE Series Electric Power Clamp

LNE225 - NAAMS Arm - Straight



PART NO.	NAAMS CODE	DIM 'A' +1.5/-0	DIM 'B'	DIM 'C'	DIM 'D'	DIM 'E'	DIM 'F'	DIM 'G'	DIM 'H'	OAL (REF)	WEIGHT Kg (lbs)
N206M	ACA206M	90.0	80.00	65.00	50.00					110.0	0.4 (0.9)
N207M	ACA207M	120.0	110.00	95.00	80.00	65.00	50.00			140.0	0.5 (1.1)
N208M	ACA208M	150.0	140.00	125.00	110.0	95.00	80.00	65.00	50.00	170.0	0.6 (1.3)

LNE225 - NAAMS Arm - 25mm Offset

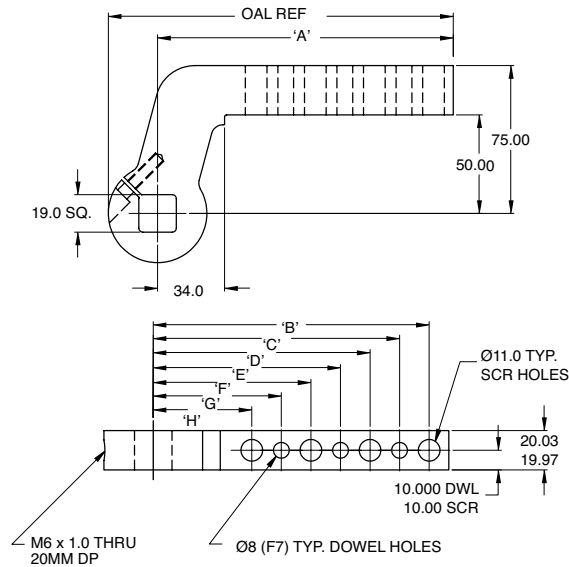


PART NO.	NAAMS CODE	DIM 'A' +1.5/-0	DIM 'B'	DIM 'C'	DIM 'D'	DIM 'E'	DIM 'F'	DIM 'G'	DIM 'H'	OAL (REF)	WEIGHT Kg (lbs)
N216M	ACA216M	90.0	80.00	65.00	50.00					110.0	0.5 (1.1)
N217M	ACA217M	120.0	110.00	95.00	80.00	65.00	50.00			140.0	0.6 (1.3)
N218M	ACA218M	150.0	140.00	125.00	110.0	95.00	80.00	65.00	50.00	170.0	0.7 (1.5)



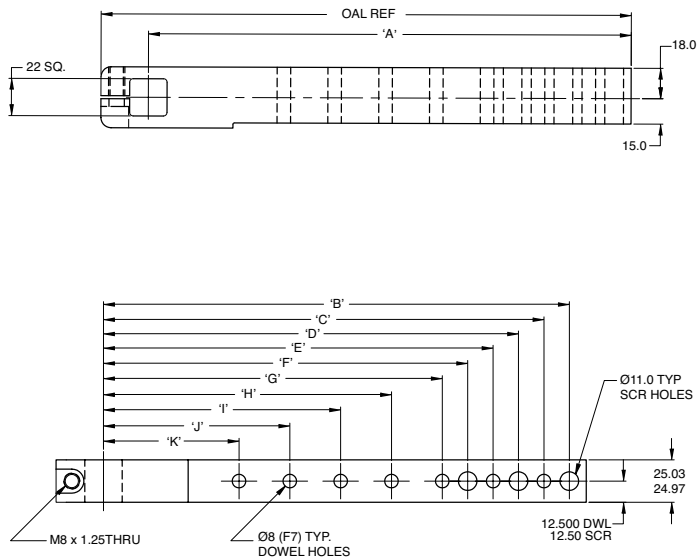
LNE Series Electric Power Clamp

LNE225 - NAAMS Arm - 50mm Offset



PART NO.	NAAMS CODE	DIM 'A' +1.5/-0	DIM 'B'	DIM 'C'	DIM 'D'	DIM 'E'	DIM 'F'	DIM 'G'	DIM 'H'	OAL (REF)	WEIGHT Kg (lbs)
N226M	ACA226M	90.0	80.00	65.00	50.00					110.0	0.6 (1.3)
N227M	ACA227M	120.0	110.00	95.00	80.00	65.00	50.00			140.0	0.7 (1.5)
N228M	ACA228M	150.0	140.00	125.00	110.00	95.00	80.00	65.00	50.00	170.0	0.8 (1.7)

LNE350 - NAAMS Arm - Straight

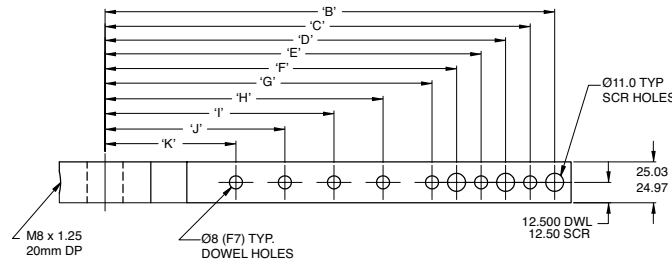
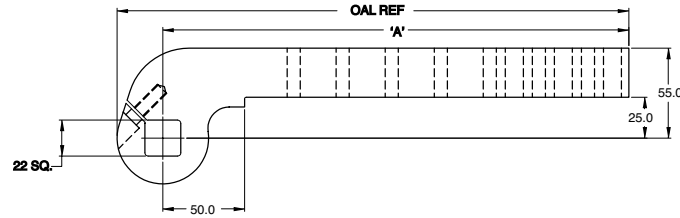


PART NO.	NAAMS CODE	DIM 'A' +1.5/-0	DIM 'B'	DIM 'C'	DIM 'D'	DIM 'E'	DIM 'F'	DIM 'G'	DIM 'H'	DIM 'I'	DIM 'J'	DIM 'K'	DIM 'L'	DIM 'M'	DIM 'N'	DIM 'O'	DIM 'P'	DIM 'Q'	DIM 'R'	DIM 'S'	DIM 'T'	DIM 'U'	DIM 'V'	DIM 'W'	DIM 'X'	DIM 'Y'	DIM 'Z'	OAL (REF)	WEIGHT Kg (lbs)	
N007M	ACA007M	135.0	125.00	110.00	95.00	80.00	65.00																					163.0	1.2 (2.6)	
N008M	ACA008M	165.0	155.00	140.00	125.00	110.00	95.00	80.00																					193.0	1.4 (3.0)
N009M	ACA009M	195.0	185.00	170.00	155.00	140.00	125.00	110.00	80.00																				223.0	1.6 (3.5)
N010M	ACA010M	225.0	215.00	200.00	185.00	170.00	155.00	140.00	110.00	80.00																			253.0	1.9 (4.2)
N011M	ACA011M	255.0	245.00	230.00	215.00	200.00	185.00	170.00	140.00	110.00	80.00																		283.0	2.1 (4.6)
N012M	ACA012M	285.0	275.00	260.00	245.00	230.00	215.00	200.00	170.00	140.00	110.00	80.00																	313.0	2.3 (5.0)



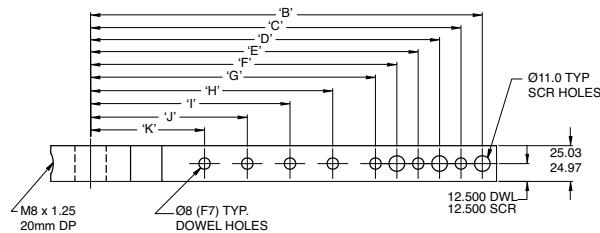
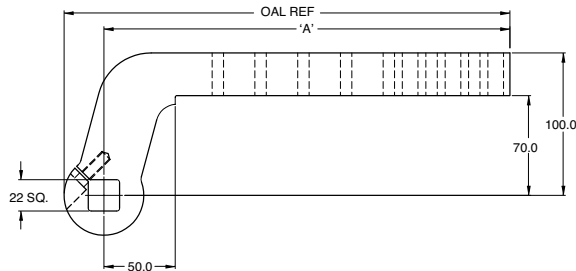
LNE Series Electric Power Clamp

LNE350 - NAAMS Arm - 25mm Offset



PART NO.	NAAMS CODE	DIM 'A' +1.5/-0	DIM 'B'	DIM 'C'	DIM 'D'	DIM 'E'	DIM 'F'	DIM 'G'	DIM 'H'	DIM 'I'	DIM 'J'	DIM 'K'	OAL (REF)	WEIGHT Kg (lbs)
N019M	ACA019M	135.0	125.00	110.00	95.00	80.00	65.00						163.0	1.1 (2.4)
N020M	ACA020M	165.0	155.00	140.00	125.00	110.00	95.00	80.00					193.0	1.3 (2.8)
N021M	ACA021M	195.0	185.00	170.00	155.00	140.00	125.00	110.00	80.00				223.0	1.4 (3.0)
N022M	ACA022M	225.0	215.00	200.00	185.00	170.00	155.00	140.00	110.00	80.00			253.0	1.5 (3.3)
N023M	ACA023M	255.0	245.00	230.00	215.00	200.00	185.00	170.00	140.00	110.00	80.00		283.0	1.6 (3.5)
N024M	ACA024M	285.0	275.00	260.00	245.00	230.00	215.00	200.00	170.00	140.00	110.00	80.00	313.0	1.9 (4.2)

LNE350 - NAAMS Arm - 70mm Offset

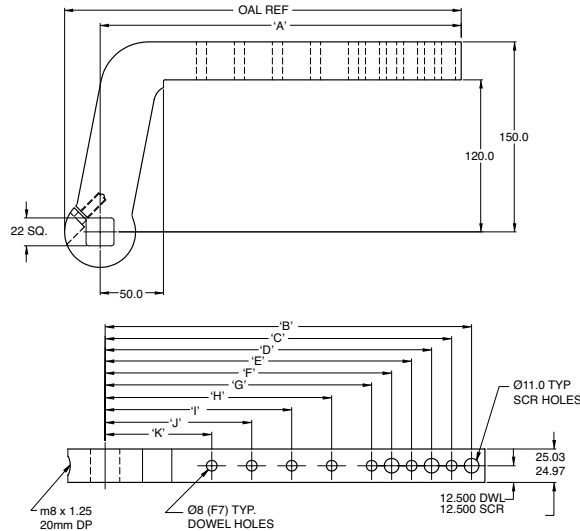


PART NO.	NAAMS CODE	DIM 'A' +1.5/-0	DIM 'B'	DIM 'C'	DIM 'D'	DIM 'E'	DIM 'F'	DIM 'G'	DIM 'H'	DIM 'I'	DIM 'J'	DIM 'K'	OAL (REF)	WEIGHT Kg (lbs)
N031M	ACA031M	135.0	125.00	110.00	95.00	80.00	65.00						163.0	1.5 (3.3)
N032M	ACA032M	165.0	155.00	140.00	125.00	110.00	95.00	80.00					193.0	1.7 (3.7)
N033M	ACA033M	195.0	185.00	170.00	155.00	140.00	125.00	110.00	80.00				223.0	1.7 (3.7)
N034M	ACA034M	225.0	215.00	200.00	185.00	170.00	155.00	140.00	110.00	80.00			253.0	1.9 (4.2)
N035M	ACA035M	255.0	245.00	230.00	215.00	200.00	185.00	170.00	140.00	110.00	80.00		283.0	2.0 (4.4)
N036M	ACA036M	285.0	275.00	260.00	245.00	230.00	215.00	200.00	170.00	140.00	110.00	80.00	313.0	2.2 (4.8)



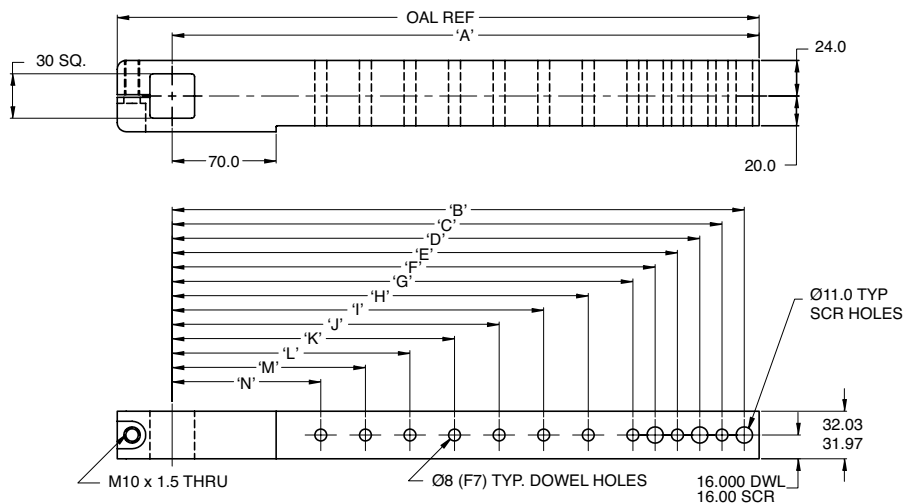
LNE Series Electric Power Clamp

LNE350 - NAAMS Arm - 120mm Offset



PART NO.	NAAMS CODE	DIM 'A' +1.5/-0	DIM 'B'	DIM 'C'	DIM 'D'	DIM 'E'	DIM 'F'	DIM 'G'	DIM 'H'	DIM 'I'	DIM 'J'	DIM 'K'	OAL (REF)	WEIGHT Kg (lbs)
N043M	ACA043M	135.0	125.00	110.00	95.00	80.00	65.00						163.0	1.9 (4.2)
N044M	ACA044M	165.0	155.00	140.00	125.00	110.00	95.00	80.00					193.0	2.0 (4.4)
N045M	ACA045M	195.0	185.00	170.00	155.00	140.00	125.00	110.00	80.00				223.0	2.1 (4.6)
N046M	ACA046M	225.0	215.00	200.00	185.00	170.00	155.00	140.00	110.00	80.00			253.0	2.2 (4.8)
N047M	ACA047M	255.0	245.00	230.00	215.00	200.00	185.00	170.00	140.00	110.00	80.00		283.0	2.4 (5.3)
N048M	ACA048M	285.0	275.00	260.00	245.00	230.00	215.00	200.00	170.00	140.00	110.00	80.00	313.0	2.6 (5.7)

LNE950 - NAAMS Arm - Straight

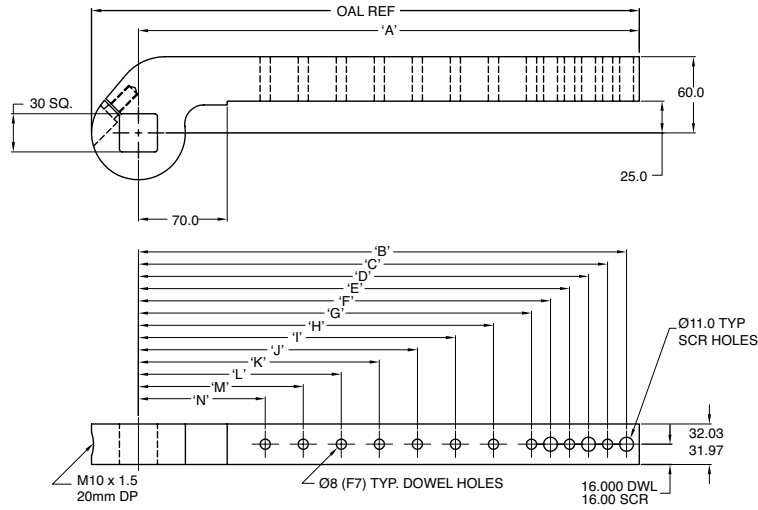


PART NO.	NAAMS CODE	DIM 'A' +1.5/-0	DIM 'B'	DIM 'C'	DIM 'D'	DIM 'E'	DIM 'F'	DIM 'G'	DIM 'H'	DIM 'I'	DIM 'J'	DIM 'K'	DIM 'L'	DIM 'M'	DIM 'N'	OAL (REF)	WEIGHT Kg (lbs)
N110M	ACA110M	155.0	145.00	130.00	115.00	100.00	85.00									192.0	1.9 (4.2)
N111M	ACA111M	185.0	175.00	160.00	145.00	130.00	115.00	100.00								222.0	2.2 (4.8)
N112M	ACA112M	215.0	205.00	190.00	175.00	160.00	145.00	130.00	100.00							252.0	2.5 (5.5)
N113M	ACA113M	245.0	235.00	220.00	205.00	190.00	175.00	160.00	130.00	100.00						282.0	2.8 (6.2)
N114M	ACA114M	275.0	265.00	250.00	235.00	220.00	205.00	190.00	160.00	130.00	100.00					312.0	3.1 (6.8)
N115M	ACA115M	305.0	295.00	280.00	265.00	250.00	235.00	220.00	190.00	160.00	130.00	100.00				342.0	3.4 (7.5)
N116M	ACA116M	335.0	325.00	310.00	295.00	280.00	265.00	250.00	220.00	190.00	160.00	130.00	100.00			372.0	3.8 (8.4)
N117M	ACA117M	365.0	355.00	340.00	325.00	310.00	295.00	280.00	250.00	220.00	190.00	160.00	130.00	100.00		402.0	4.1 (9.0)
N118M	ACA118M	395.0	385.00	370.00	355.00	340.00	325.00	310.00	280.00	250.00	220.00	190.00	160.00	130.00	100.00	432.0	4.4 (9.7)



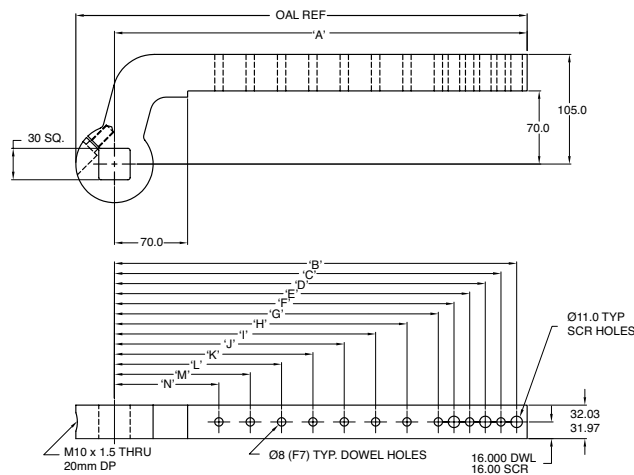
LNE Series Electric Power Clamp

LNE950 - NAAMS Arm - 25mm Offset



PART NO.	NAAMS CODE	DIM 'A' +1.5/-0	DIM 'B'	DIM 'C'	DIM 'D'	DIM 'E'	DIM 'F'	DIM 'G'	DIM 'H'	DIM 'I'	DIM 'J'	DIM 'K'	DIM 'L'	DIM 'M'	DIM 'N'	OAL (REF)	WEIGHT Kg (lbs)
N130M	ACA130M	155.0	145.00	130.00	115.00	100.00	85.00									192.0	2.1 (4.6)
N131M	ACA131M	185.0	175.00	160.00	145.00	130.00	115.00	100.00								222.0	2.3 (5.0)
N132M	ACA132M	215.0	205.00	190.00	175.00	160.00	145.00	130.00	100.00							252.0	2.6 (5.7)
N133M	ACA133M	245.0	235.00	220.00	205.00	190.00	175.00	160.00	130.00	100.00						282.0	2.8 (6.2)
N134M	ACA134M	275.0	265.00	250.00	235.00	220.00	205.00	190.00	160.00	130.00	100.00					312.0	3.1 (6.8)
N135M	ACA135M	305.0	295.00	280.00	265.00	250.00	235.00	220.00	190.00	160.00	130.00	100.00				342.0	3.3 (7.3)
N136M	ACA136M	335.0	325.00	310.00	295.00	280.00	265.00	250.00	220.00	190.00	160.00	130.00	100.00			372.0	3.6 (7.9)
N137M	ACA137M	365.0	355.00	340.00	325.00	310.00	295.00	280.00	250.00	220.00	190.00	160.00	130.00	100.00		402.0	3.8 (8.4)
N138M	ACA138M	395.0	385.00	370.00	355.00	340.00	325.00	310.00	280.00	250.00	220.00	190.00	160.00	130.00	100.00	432.0	4.1 (9.0)

LNE950 - NAAMS Arm - 70mm Offset

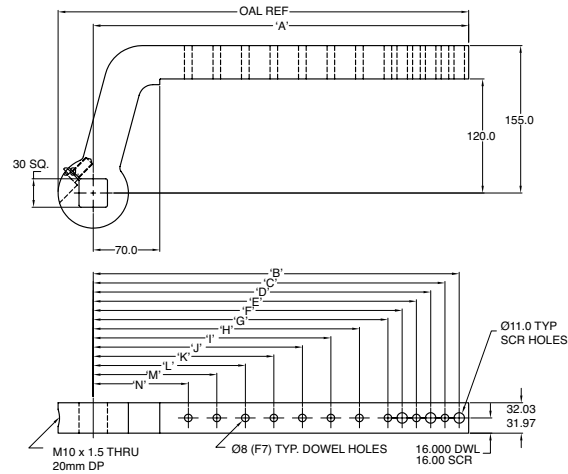


PART NO.	NAAMS CODE	DIM 'A' +1.5/-0	DIM 'B'	DIM 'C'	DIM 'D'	DIM 'E'	DIM 'F'	DIM 'G'	DIM 'H'	DIM 'I'	DIM 'J'	DIM 'K'	DIM 'L'	DIM 'M'	DIM 'N'	OAL (REF)	WEIGHT Kg (lbs)
N150M	ACA150M	155.0	145.00	130.00	115.00	100.00	85.00									192.0	2.4 (5.3)
N151M	ACA151M	185.0	175.00	160.00	145.00	130.00	115.00	100.00								222.0	2.6 (5.7)
N152M	ACA152M	215.0	205.00	190.00	175.00	160.00	145.00	130.00	100.00							252.0	2.9 (6.4)
N153M	ACA153M	245.0	235.00	220.00	205.00	190.00	175.00	160.00	130.00	100.00						282.0	3.1 (6.8)
N154M	ACA154M	275.0	265.00	250.00	235.00	220.00	205.00	190.00	160.00	130.00	100.00					312.0	3.4 (7.5)
N155M	ACA155M	305.0	295.00	280.00	265.00	250.00	235.00	220.00	190.00	160.00	130.00	100.00				342.0	3.6 (7.9)
N156M	ACA156M	335.0	325.00	310.00	295.00	280.00	265.00	250.00	220.00	190.00	160.00	130.00	100.00			372.0	3.9 (8.6)
N157M	ACA157M	365.0	355.00	340.00	325.00	310.00	295.00	280.00	250.00	220.00	190.00	160.00	130.00	100.00		402.0	4.1 (9.0)
N158M	ACA158M	395.0	385.00	370.00	355.00	340.00	325.00	310.00	280.00	250.00	220.00	190.00	160.00	130.00	100.00	432.0	4.4 (9.7)

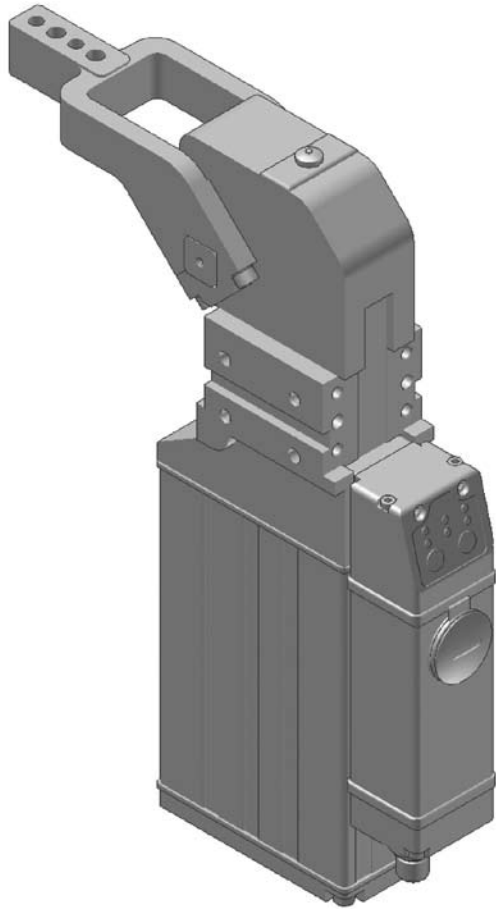


LNE Series Electric Power Clamp

LNE950 - NAAMS Arm - 120mm Offset



PART NO.	NAAMS CODE	DIM 'A' +1.5/-0	DIM 'B'	DIM 'C'	DIM 'D'	DIM 'E'	DIM 'F'	DIM 'G'	DIM 'H'	DIM 'I'	DIM 'J'	DIM 'K'	DIM 'L'	DIM 'M'	DIM 'N'	OAL (REF)	WEIGHT Kg (lbs)
N170M	ACA170M	155.0	145.00	130.00	115.00	100.00	85.00									192.0	2.8 (6.2)
N171M	ACA171M	185.0	175.00	160.00	145.00	130.00	115.00	100.00								222.0	3.0 (6.6)
N172M	ACA172M	215.0	205.00	190.00	175.00	160.00	145.00	130.00	100.00							252.0	3.3 (7.3)
N173M	ACA173M	245.0	235.00	220.00	205.00	190.00	175.00	160.00	130.00	100.00						282.0	3.5 (7.7)
N174M	ACA174M	275.0	265.00	250.00	235.00	220.00	205.00	190.00	160.00	130.00	100.00					312.0	3.8 (8.4)
N175M	ACA175M	305.0	295.00	280.00	265.00	250.00	235.00	220.00	190.00	160.00	130.00	100.00				342.0	4.0 (8.8)
N176M	ACA176M	335.0	325.00	310.00	295.00	280.00	265.00	250.00	220.00	190.00	160.00	130.00	100.00			372.0	4.3 (9.5)
N177M	ACA177M	365.0	355.00	340.00	325.00	310.00	295.00	280.00	250.00	220.00	190.00	160.00	130.00	100.00		402.0	4.5 (9.9)
N178M	ACA178M	395.0	385.00	370.00	355.00	340.00	325.00	310.00	280.00	250.00	220.00	190.00	160.00	130.00	100.00	432.0	4.8 (10.6)



Features

- Simple 24 VDC Digital Control (2 in / 2 out) via standard M12 connectors
- Modular electronics for ease of maintainability
- Single or dual cable control option
- Built in "obstruction" detection
- Integral brake maintains arm position any time power is lost
- Mechanical indicator identifies when clamp mechanism is locked
- Powered and unpowered manual override
- Adjustable opening angle
- Blade and foot mounting
- Unique linkage design ensures positional repeatability
- Linear and rotary motion guided by roller bearings
- Remains locked in closed position even when power is removed

General Specifications

Weight:

LAE140: 2.5 Kg (5.5 lbs)

Operating Temperature: 5° to 40° C (40° to 105°F)

Class Protection: IP65

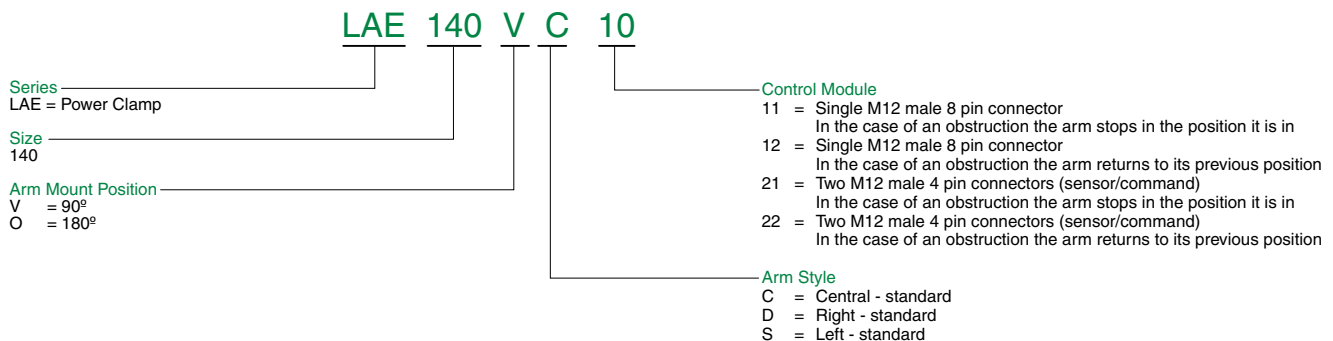
Opening Angles:

15°, 30°, 45°, 60°, 75°, 90°, 105°, 120°

Holding Capacity:

LAE140: 600 Nm (5310 in-lbs)

How to Order

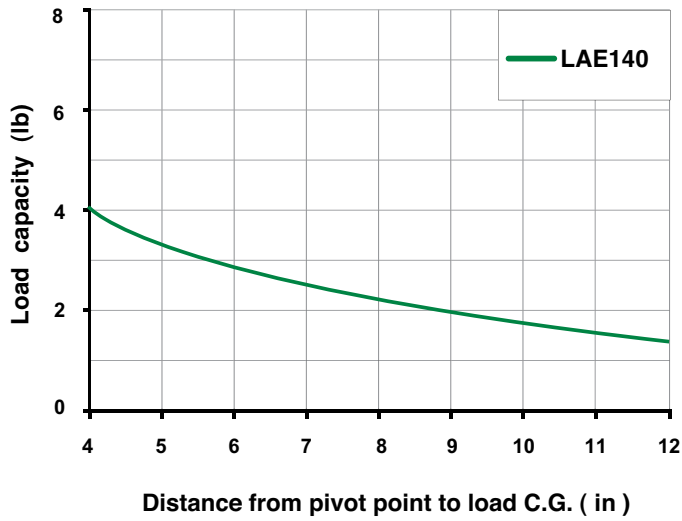




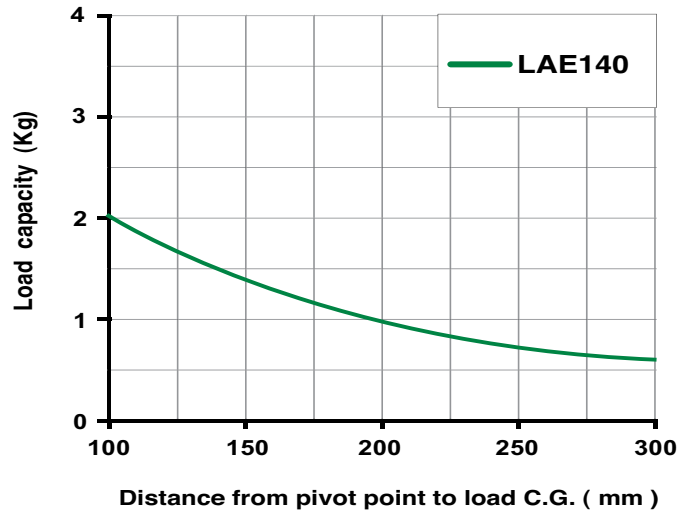
LAE Series Electric Power Clamp

Maximum Applicable Load

English

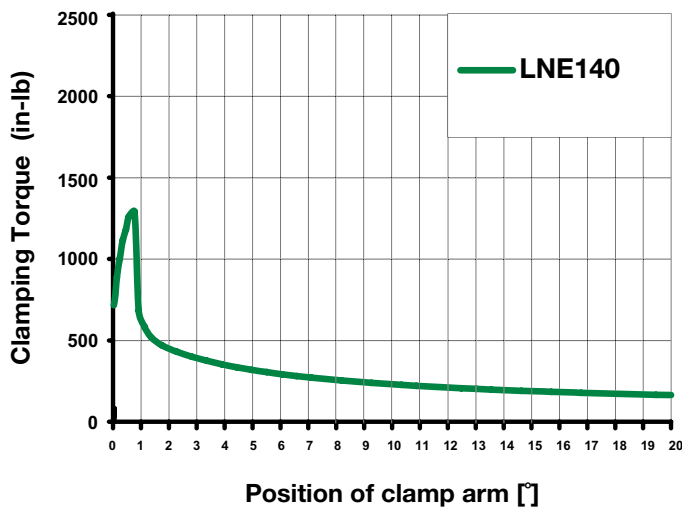


Metric

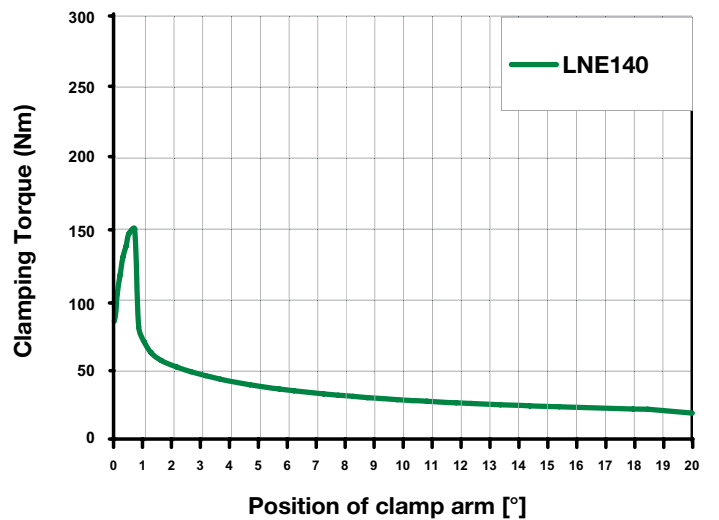


Maximum Clamping Torque

English



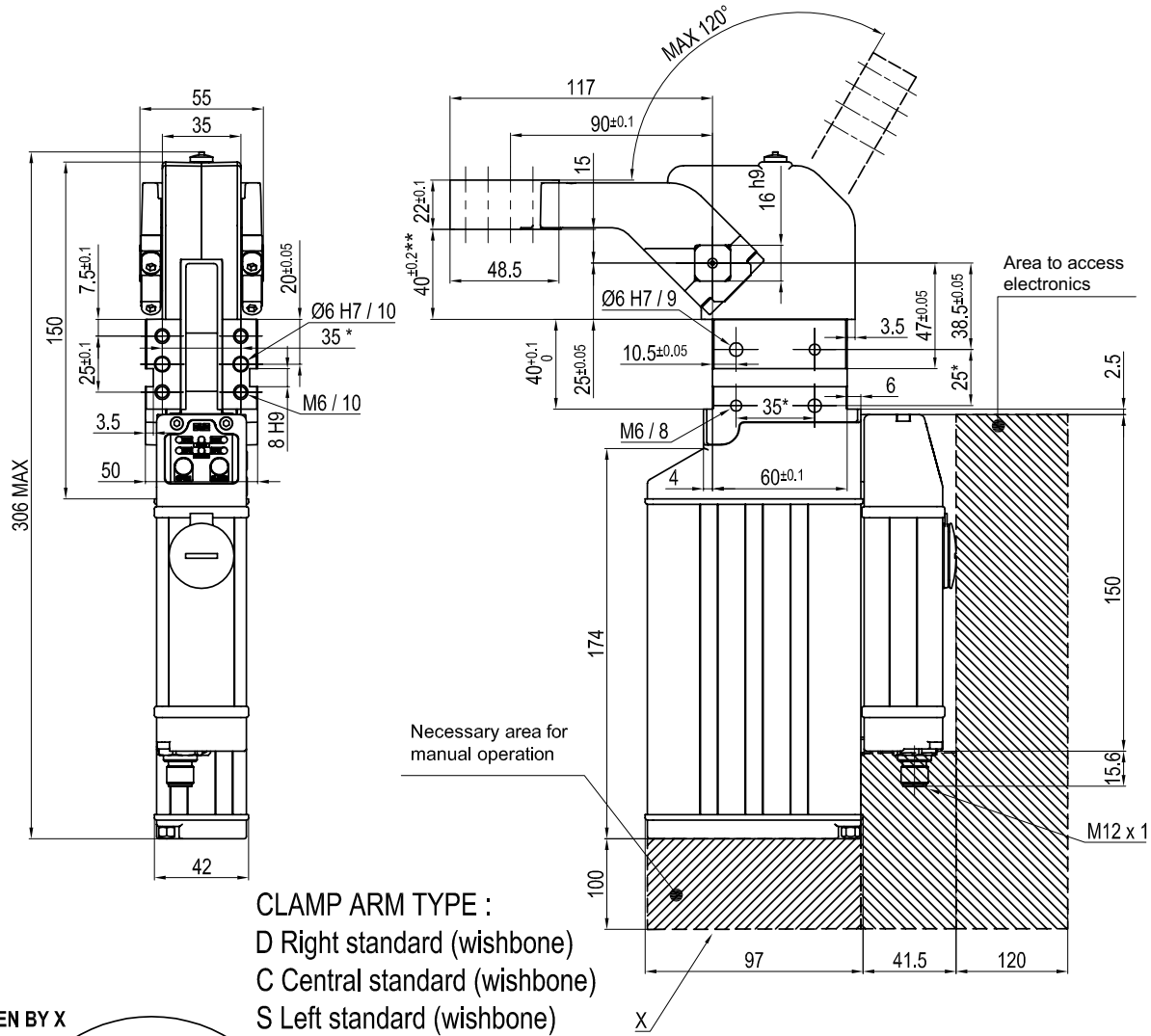
Metric



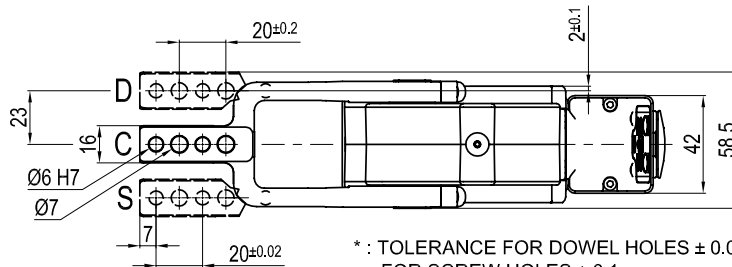
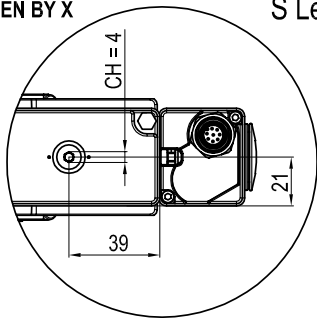


LAE Series Electric Power Clamp

LAE140V__Electric Power Clamp



SEEN BY X



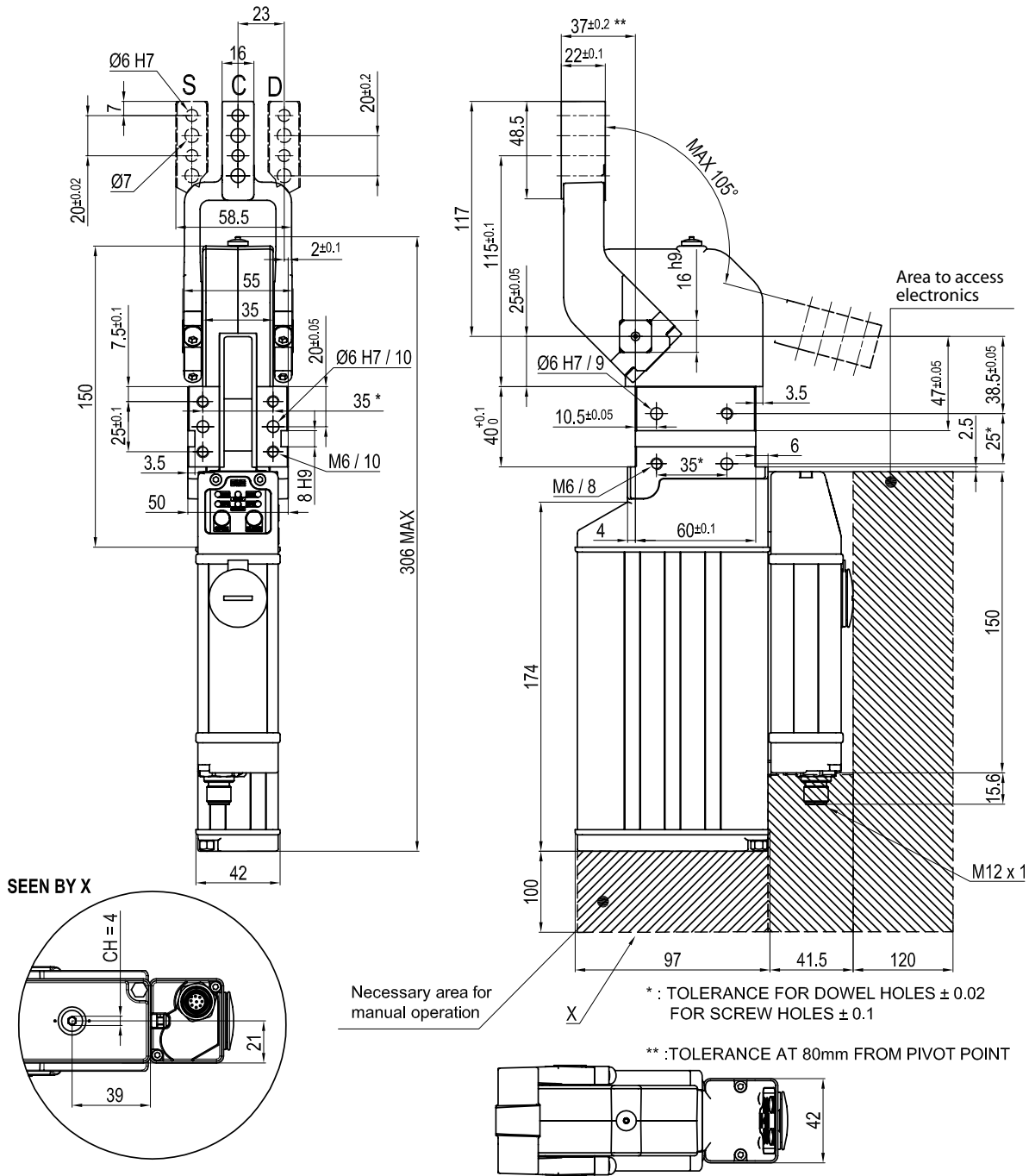
* : TOLERANCE FOR DOWEL HOLES ± 0.02
FOR SCREW HOLES ± 0.1

** : TOLERANCE AT 80mm FROM PIVOT POINT

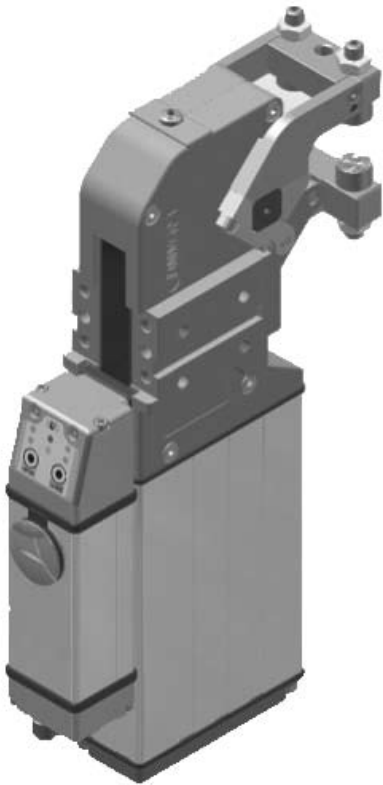


LAE Series Electric Power Clamp

LAE1400__Electric Power Clamp



- CLAMP ARM TYPE :**
- D Right standard (wishbone)
 - C Central standard (wishbone)
 - S Left standard (wishbone)



Features

- Simple 24 VDC Digital Control (2 in / 2 out) via standard M12 connectors
- Modular electronics for ease of maintainability
- Single or dual cable control option
- Built in "obstruction" detection
- Integral brake maintains arm position any time power is lost
- Mechanical indicator identifies when gripper mechanism is locked
- Powered and unpowered manual override
- Single and Double Moving Jaws
- Single and Double Tips
- Adjustable opening angle
- Linear and rotary motion guided by roller bearings
- Remains locked in closed position even when power is removed

General Specifications

Weight:

LGE140: 2.5 Kg (5.5 lbs)

Operating Temperature: 5° to 40° C (40° to 105°F)

Class Protection: IP65

Opening Angles:

LGE140VB: 15°, 30°,45°, 60°, 75°

LGE140VF: 15°, 30°,45°, 60°, 75°

LGE140VL: 15°, 30°,45°, 60°, 75°, 90°

LGE140OL: 15°, 30°,45°

*see dimensional drawings for more information.

Holding Capacity: 600 Nm (5310 in-lbs)

Maximum Grip Force:

LGE140V: 2333 N (525 lbs)

LGE140O: 1866 N (420 lbs)

How to Order

LGE 140 V L 21

Series
LGE = Electric Gripper

Size
140

Jaw Mounting Position
V = 90°
O = 180°
*See dimensional drawings for more information

Control Module
11 = Single M12 male 8 pin connector
In the case of an obstruction the arm stops in the position it is in.
12 = Single M12 male 8 pin connector
In the case of an obstruction the arm returns to its previous position.
21 = Two M12 male 4 pin connector (sensor/command)
In the case of an obstruction the arm stops in the position it is in.
22 = Two M12 male 4 pin connector (sensor/command)
In the case of an obstruction the arm returns to its previous position.

Jaws Style
B = Upper and lower jaws opening; double tips - available only with V jaws mount style.
F = Upper and lower jaws opening; single tips - available only with V jaws mount style.
L = Fixed lower, upper jaw opening; double tips.

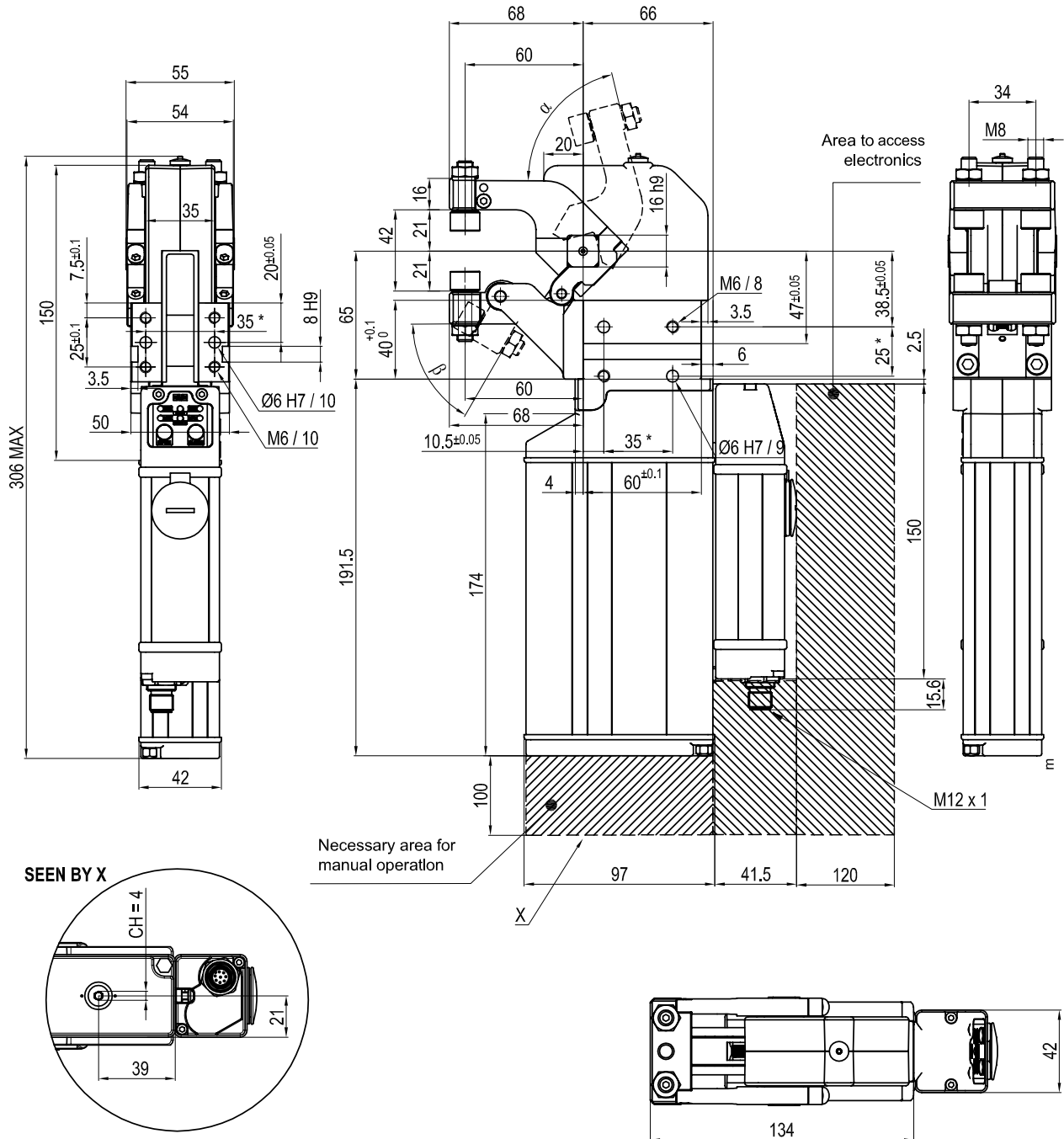
O

V



LGE Series Electric Gripper

LGE140VB__ Electric Gripper



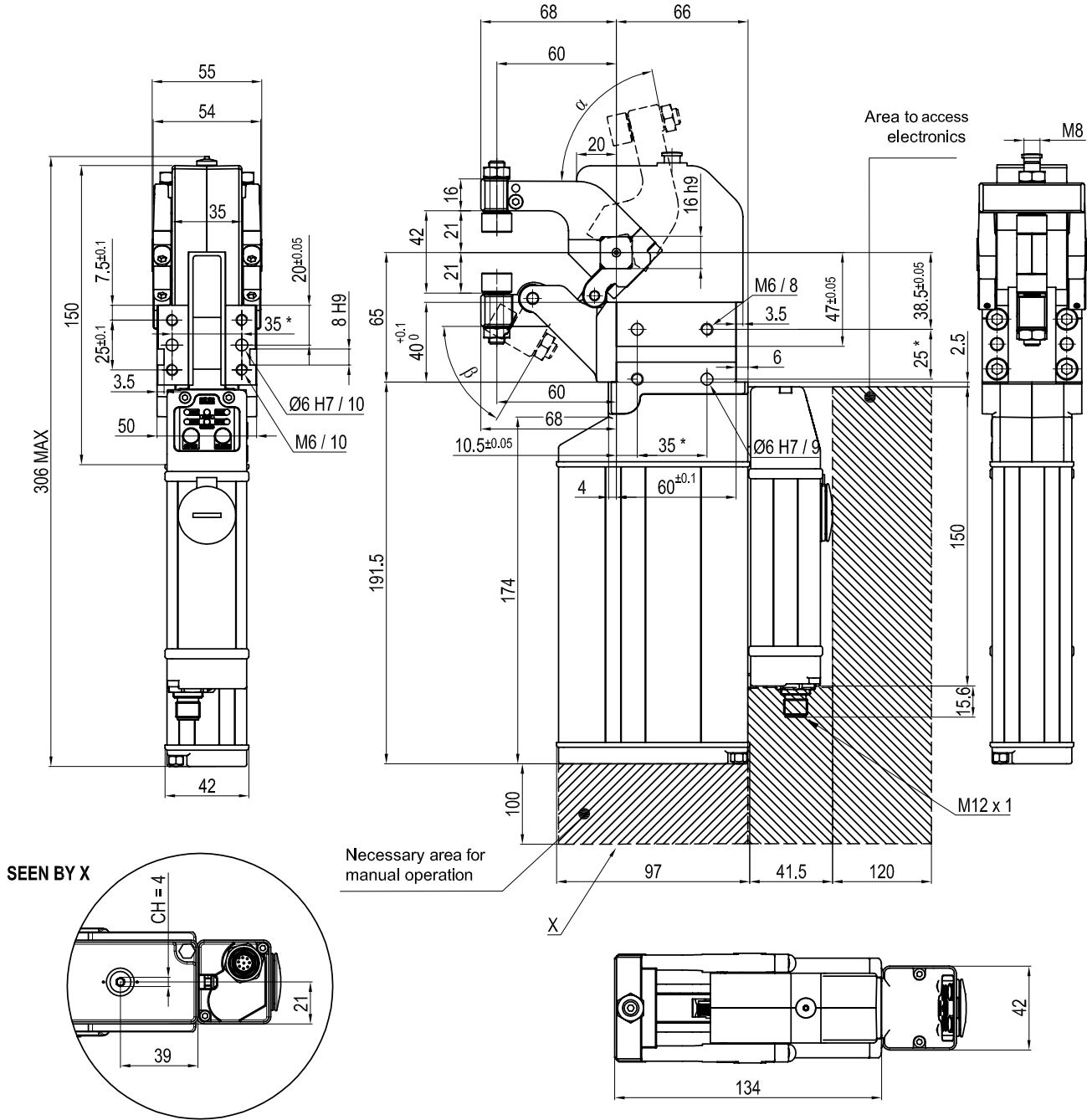
Opening Angles

Datum Opening Angle	A Angle	B Angle
15°	15°	3°
30°	30°	14°
45°	45°	29.5°
60°	60°	44°
75°	75°	58°

*: TOLERANCE FOR DOWEL HOLES ± 0.02
FOR SCREW HOLES ± 0.1



LGE140VF__ Electric Gripper



Opening Angles

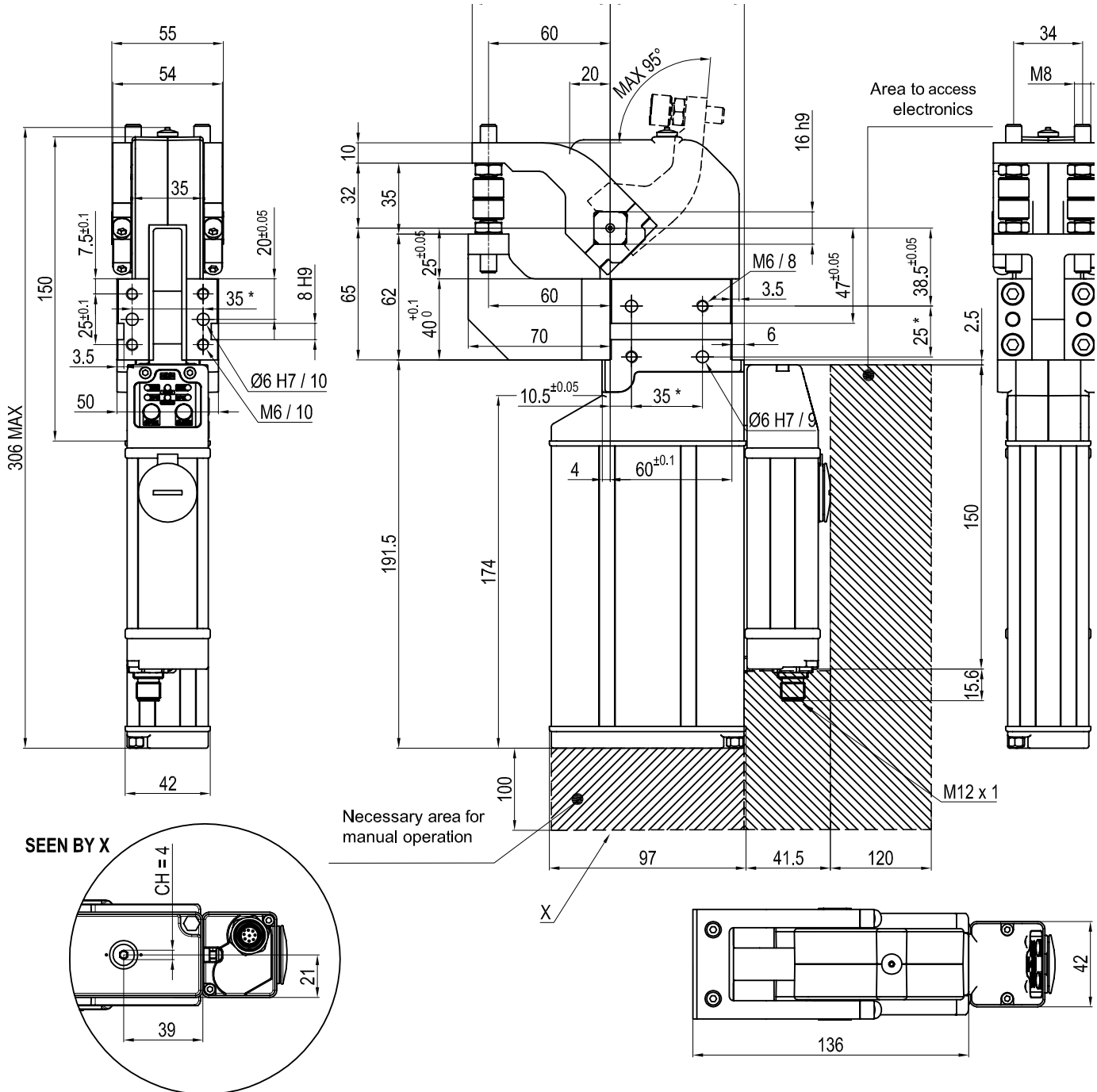
Datum Opening Angle	A Angle	B Angle
15°	15°	3°
30°	30°	14°
45°	45°	29.5°
60°	60°	44°
75°	75°	58°

*: TOLERANCE FOR DOWEL HOLES ± 0.02
FOR SCREW HOLES ± 0.1



LGE Series Electric Gripper

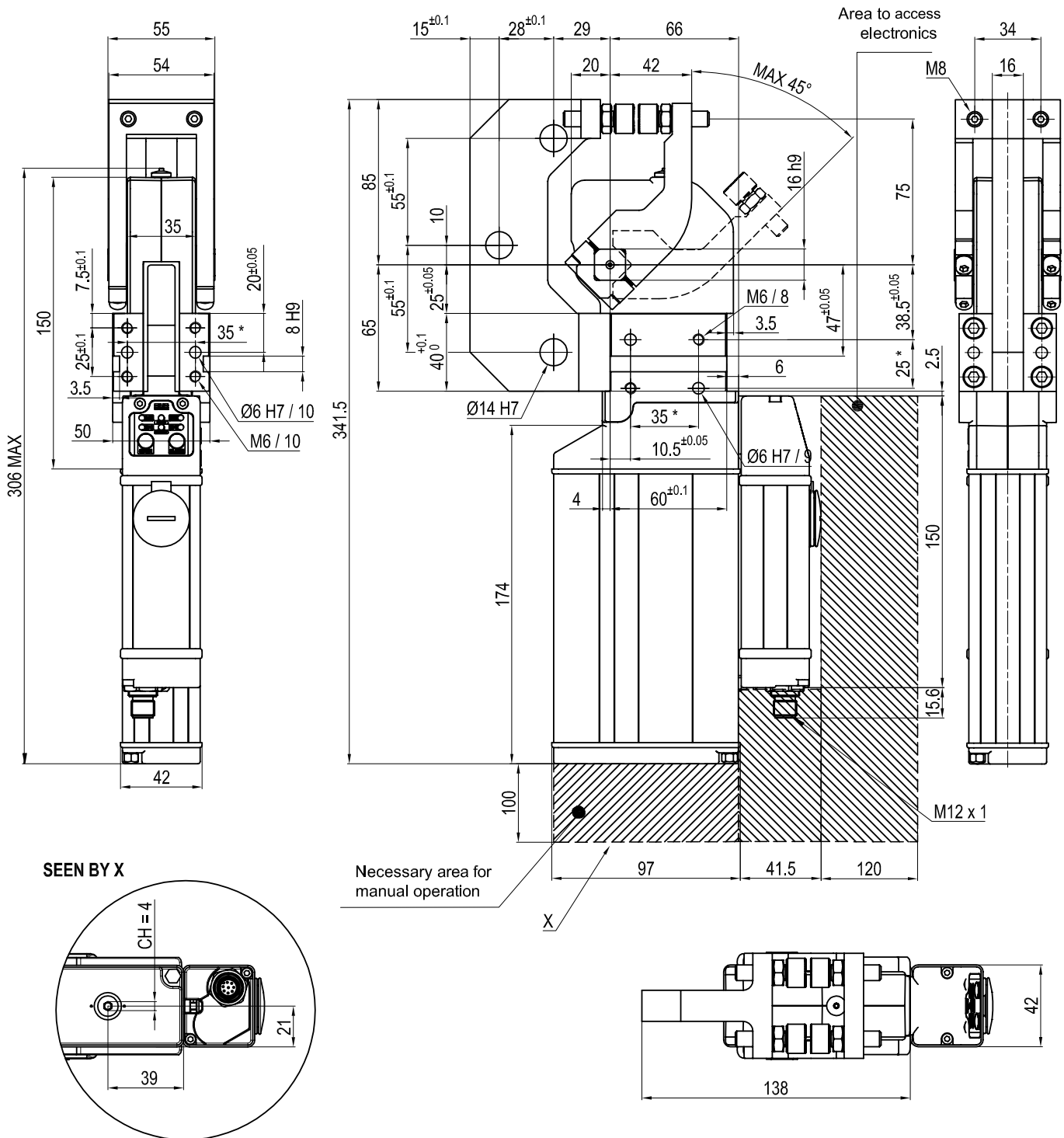
LGE140VL__ Electric Gripper



*: TOLERANCE FOR DOWEL HOLES ± 0.02
FOR SCREW HOLES ± 0.1



LGE140OL__ Electric Gripper



*: TOLERANCE FOR DOWEL HOLES ± 0.02
FOR SCREW HOLES ± 0.1



LSE Series Electric Pin Clamp



Features

- Simple 24 VDC Digital Control (2 in / 2 out) via standard M12 connectors
- Modular electronics for ease of maintainability
- Single or dual cable control option
- Powered and unpowered manual override
- Locate and clamp material
- Multiple pin sizes available
- Orthogonal version for applications with very demanding dimensional limitations
- Different working heights available
- Unique system prevents weld slag from entering unit
- Hardened pins, hooks and scrapers for extended life
- Remains locked in closed position even when power is removed

General Specifications

Weight:

LSE4G: 4 Kg (8.8 lbs)

LSE4U: 3.3 Kg (7.3 lbs)

Operating Temperature: 5° to 40° C (40° to 105°F)

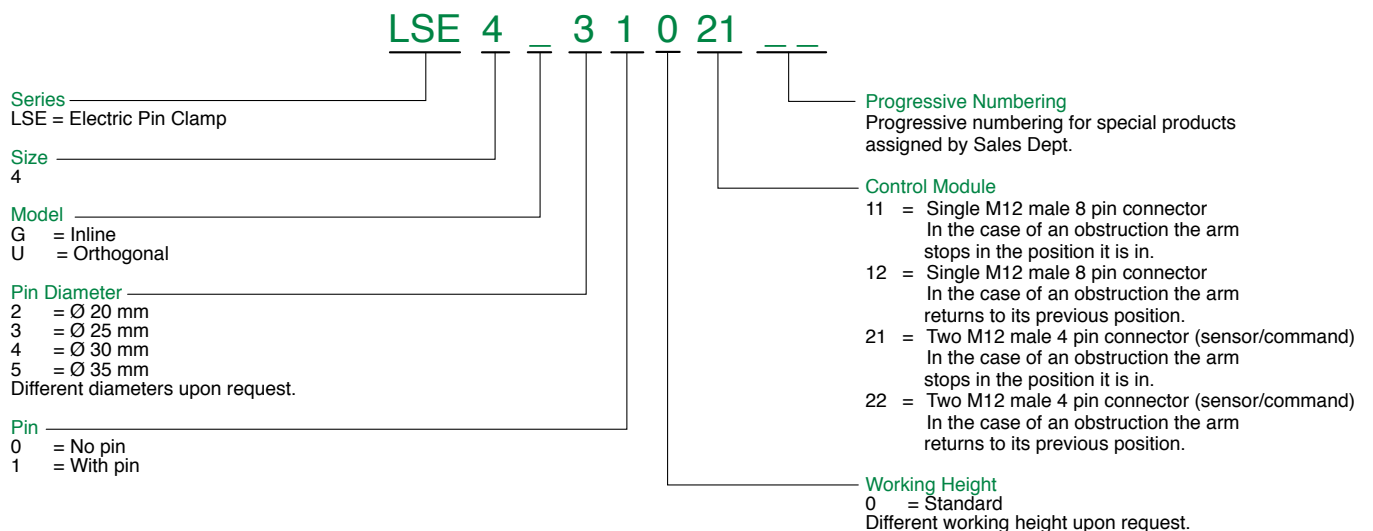
Class Protection: IP65

Maximum Clamping Force:

LSE4G: 3500 (786 lbs)

LSE4U: 4000N (899 lbs)

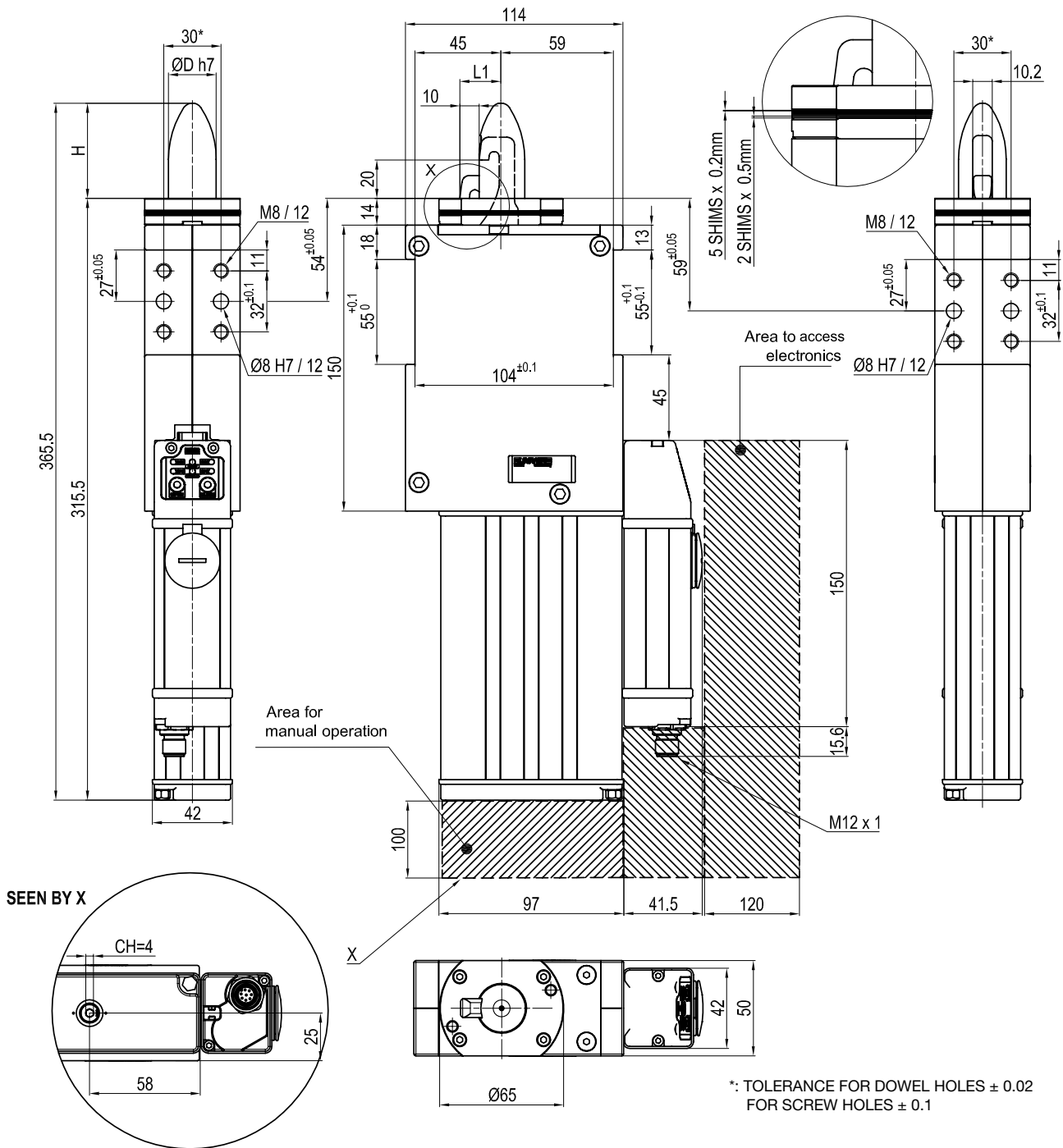
How to Order





LSE Series Electric Pin Clamp

LSE4G_10__ Electric Pin Clamp



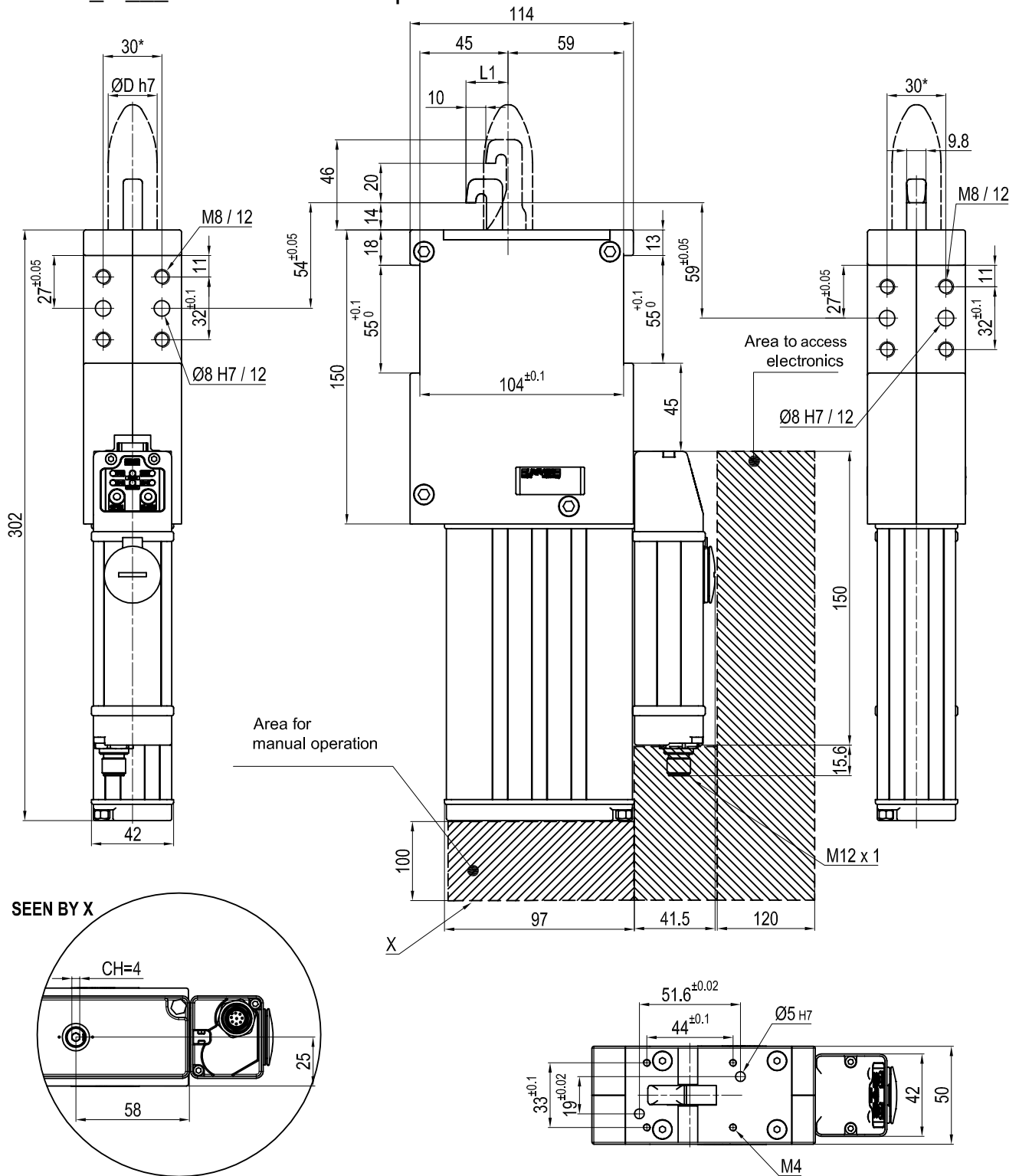
*: TOLERANCE FOR DOWEL HOLES ± 0.02
FOR SCREW HOLES ± 0.1

ØD	20	25	30	35	40
L1	19	21.5	24	26.5	29
H	45	50	50	50	56



LSE Series Electric Pin Clamp

LSE4G_O__ Electric Pin Clamp



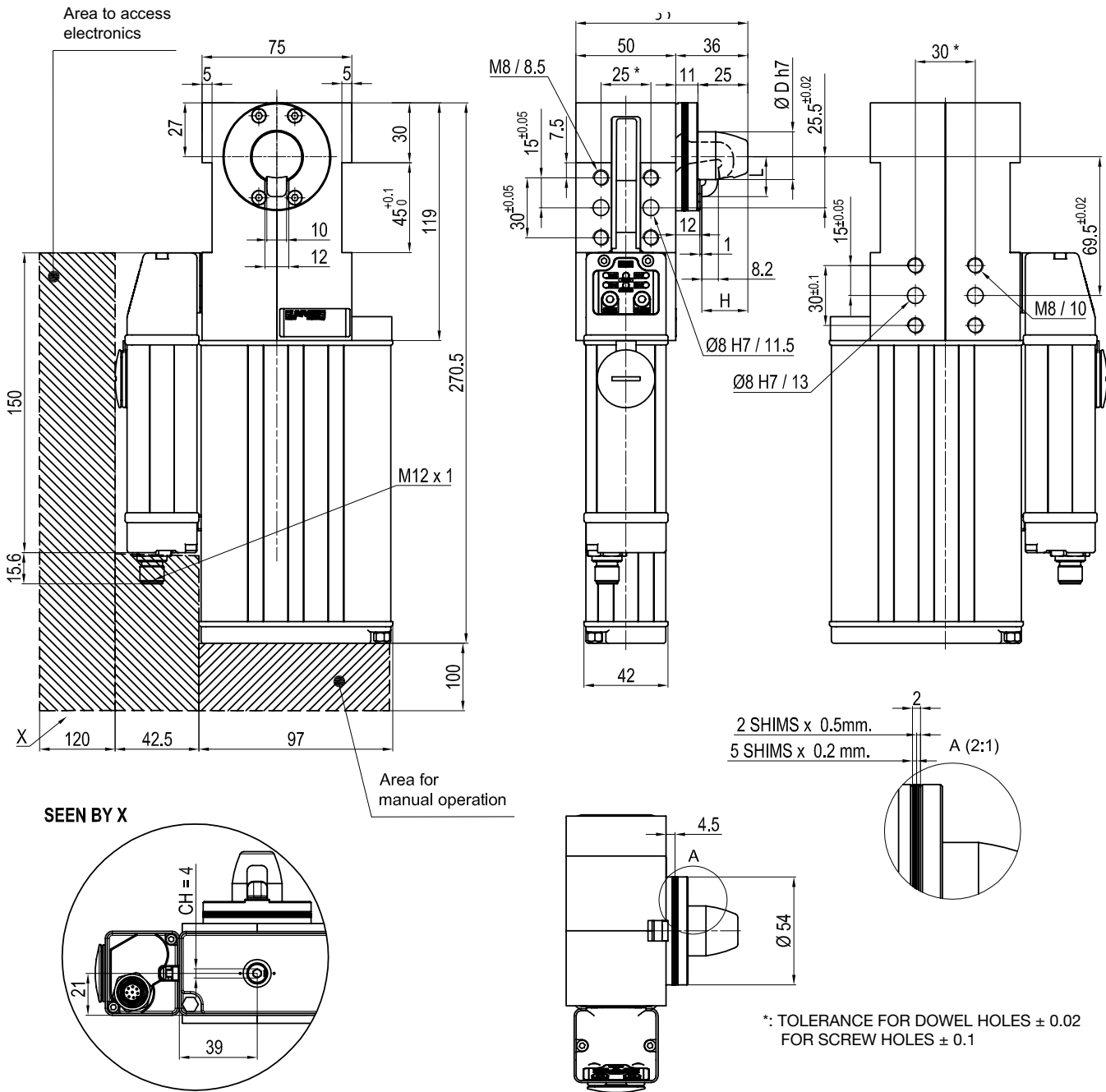
ØD	20	25	30	35	40
L1	19	21.5	24	26.5	29

* : TOLERANCE FOR DOWEL HOLES ± 0.02
FOR SCREW HOLES ± 0.1



LSE Series Electric Pin Clamp

LSE4U_10_ Electric Pin Clamp

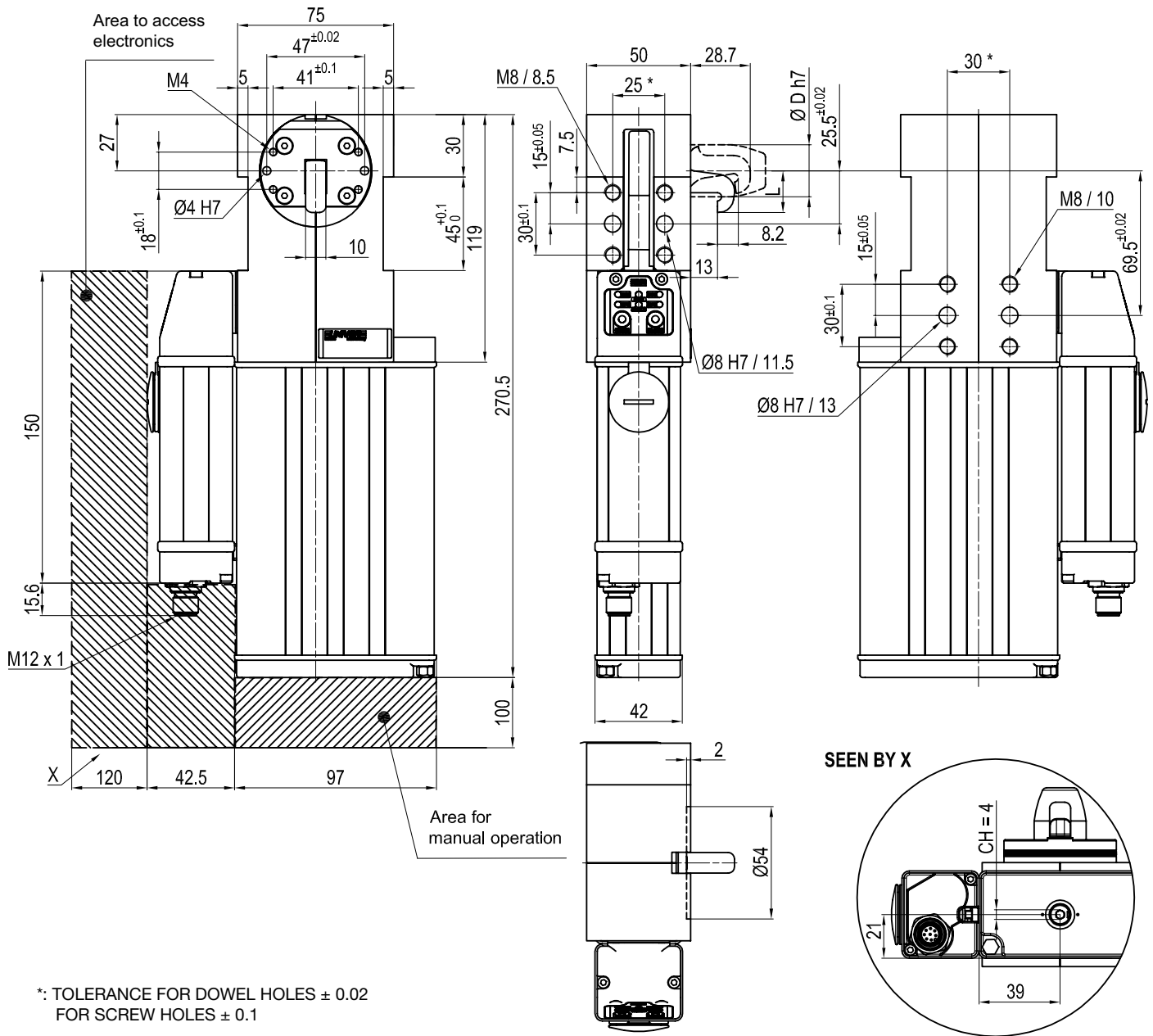


ØD	20	25	30	35
L1	17.5	20	22.5	25
H	23	23	30	30



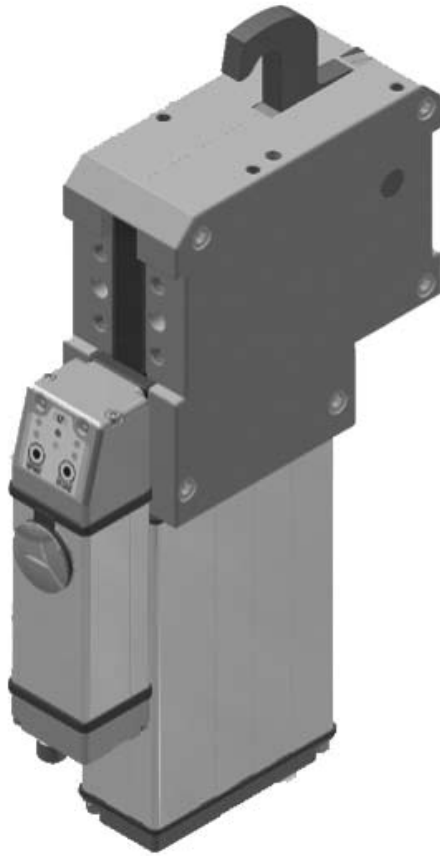
LSE Series Electric Pin Clamp

LSE4U_O__ Electric Pin Clamp



*: TOLERANCE FOR DOWEL HOLES ± 0.02
FOR SCREW HOLES ± 0.1

ØD	20	25	30	35
L	17.5	20	22.5	25



Features

- Simple 24 VDC Digital Control (2 in / 2 out) via standard M12 connectors
- Modular electronics for ease of maintainability
- Single or dual cable control option
- Powered and unpowered manual override
- Multiple pin sizes available
- Vanishing hook provides low profile
- Unique system prevents weld slag from entering unit
- Long travel of hook designed for increased engagement of sheet metal in oval slots
- Hardened pins, hooks and scrapers for extended life
- Remains locked in closed position even when power is removed

General Specifications

Weight:

LTE4T: 4.1 Kg (9 lbs)

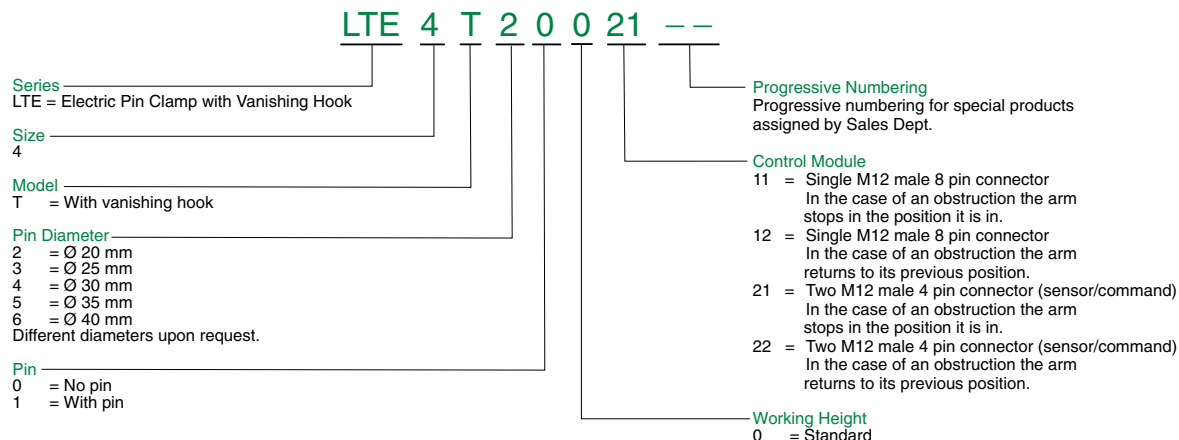
Operating Temperature: 5° to 40° C (40° to 105°F)

Class Protection: IP65

Maximum Clamping Force:

LTE4T: 3500 N (786 lbs)

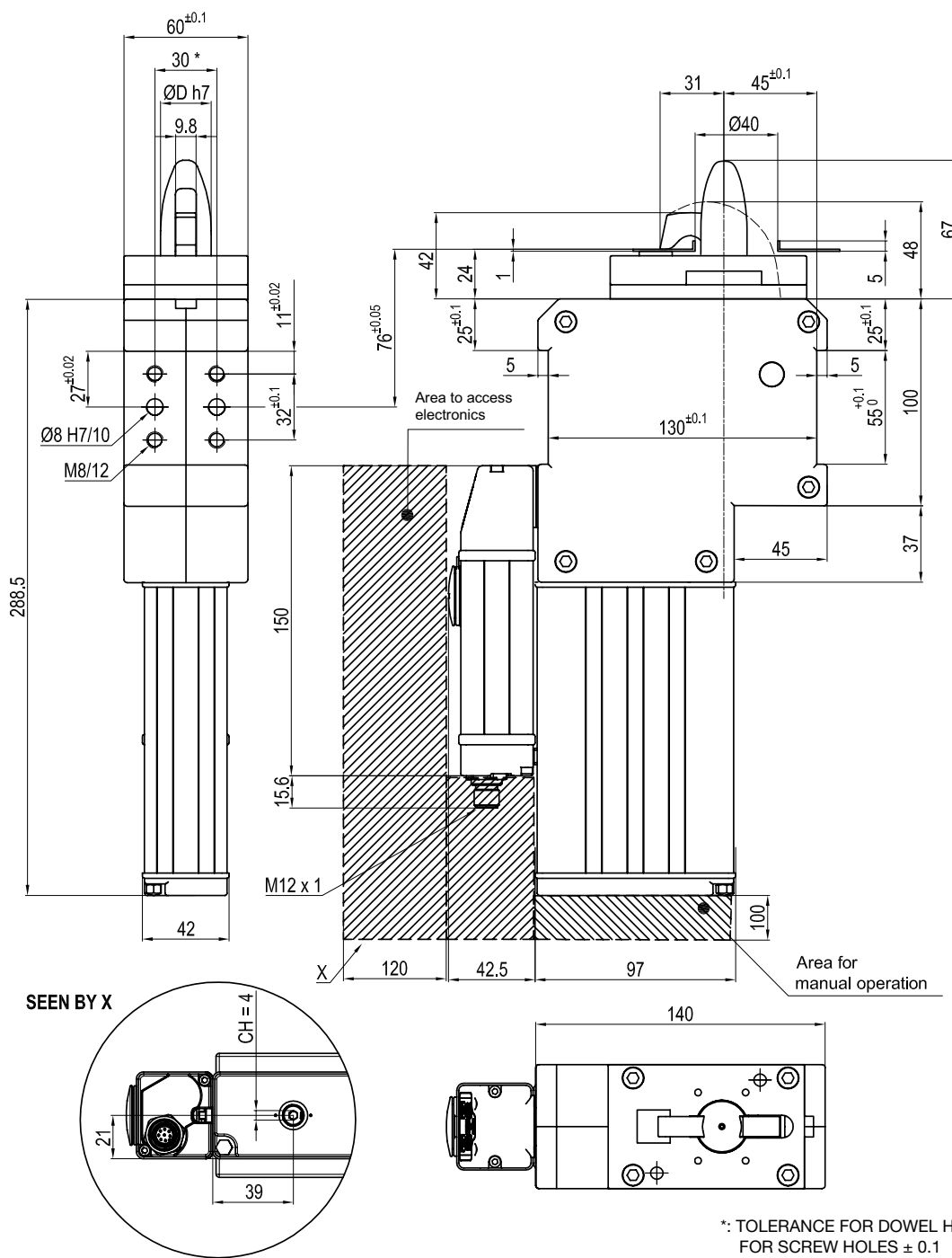
How to Order





LTE Series Electric Pin Clamp

LTE4T_10__ Electric Pin Clamp with Vanishing Hook

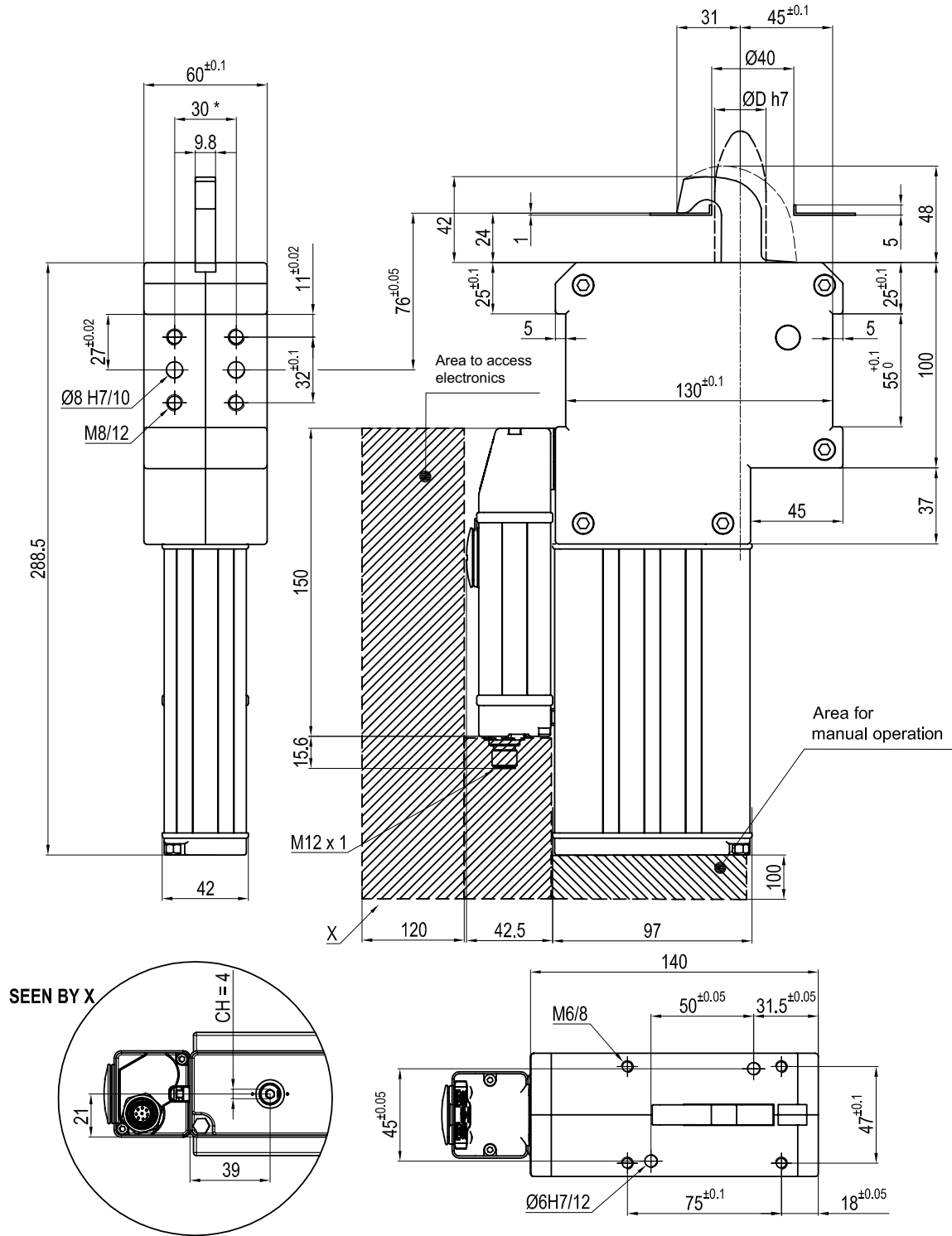


ØD	20	25	30	35	40
----	----	----	----	----	----



LTE Series Electric Pin Clamp

LTE4T_0___ Electric Pin Clamp with Vanishing Hook

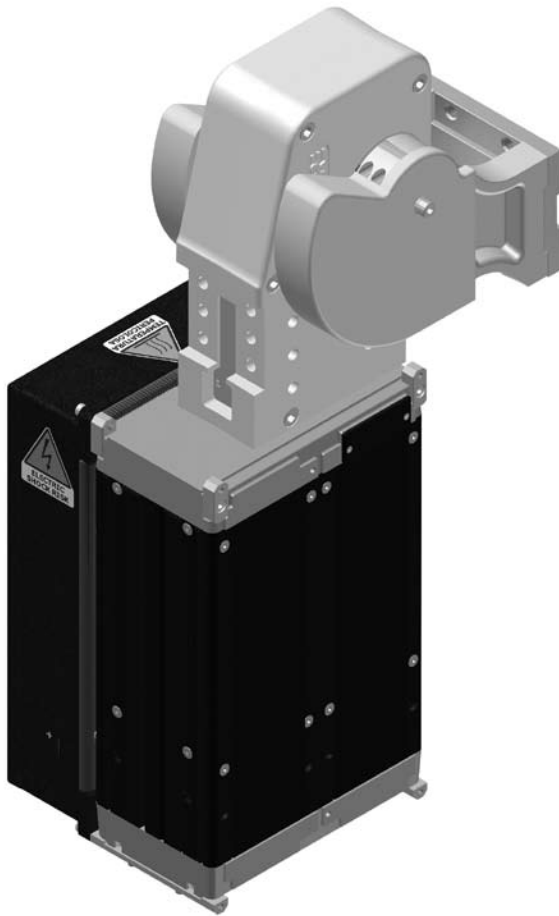


*: TOLERANCE FOR DOWEL HOLES ± 0.02
FOR SCREW HOLES ± 0.1

ØD 20 25 30 35 40



LAGE Series Electric Power Pivot



Features

- Simple 24 VDC Digital Control (2 in / 2 out) via standard M12 connector
- No PLC required to control motion
- Modular electronics for ease of maintainability
- Control module can be mounted on left side, right side or remotely
- Manually adjustable opening angle
- Saddle is chrome-plated steel that has a precision ground surface and is case hardened
- Integral brake maintains position any time power is lost
- Unpowered manual override
- Linear motion guided by roller bearings and hardened steel guide
- Rotary motion guided by conical roller bearings
- External pre-stop assures accuracy and repeatability of saddle
- Remains locked in closed position even when power is removed

General Specifications

Weight:

LAGE0500V: 53 Kg (116.9 lbs)

LAGE0500O: 53 Kg (116.9 lbs)

LAGE1000V: 66.5 Kg (146.6 lbs)

LAGE1000O: 66.5 Kg (146.6 lbs)

LAGE0500VR: 39 Kg (86.0 lbs)

LAGE0500OR: 39 Kg (86.0 lbs)

LAGE1000VR: 52.5 Kg (115.8 lbs)

LAGE1000OR: 52.5 Kg (115.8 lbs)

LKMOSC Remote Control Module: 14 Kg (30.9 lbs)

Operating Temperature: 5° to 45° C (40° to 113°F)

Class Protection: IP65

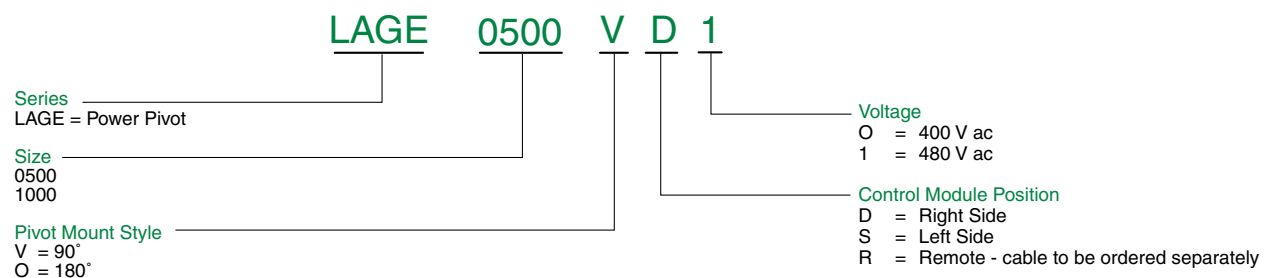
Opening Angles: 45°, 60°, 90°, 120°

Holding Capacity:

LAGE0500: 6000 Nm (4425 ft-lbs)

LAGE1000: 8000 Nm (5900 ft-lbs)

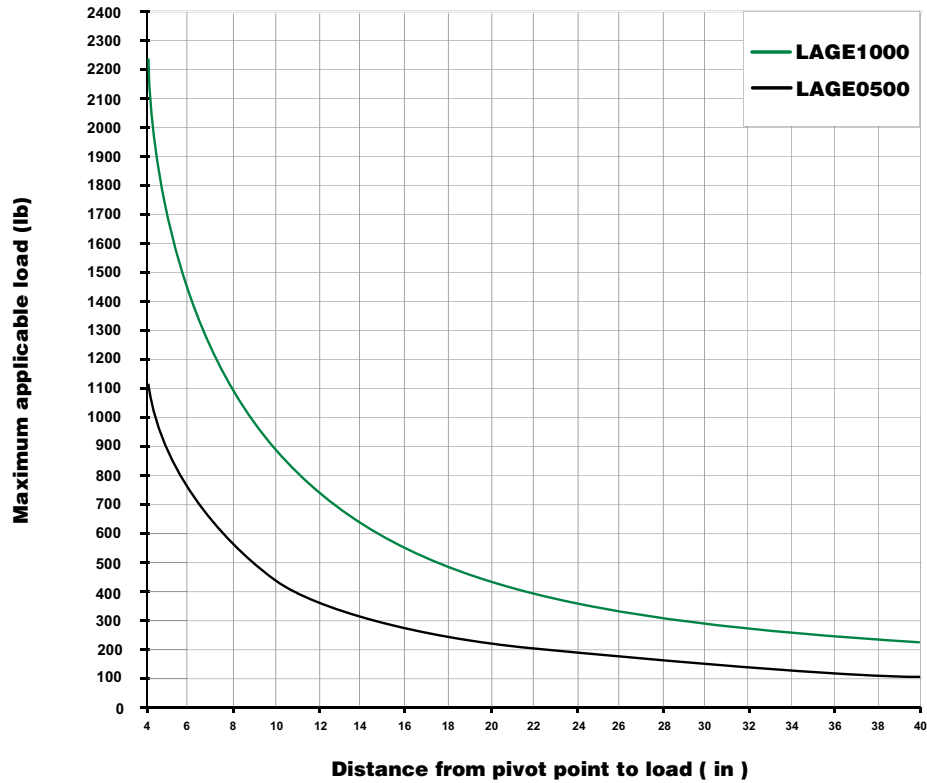
How to Order



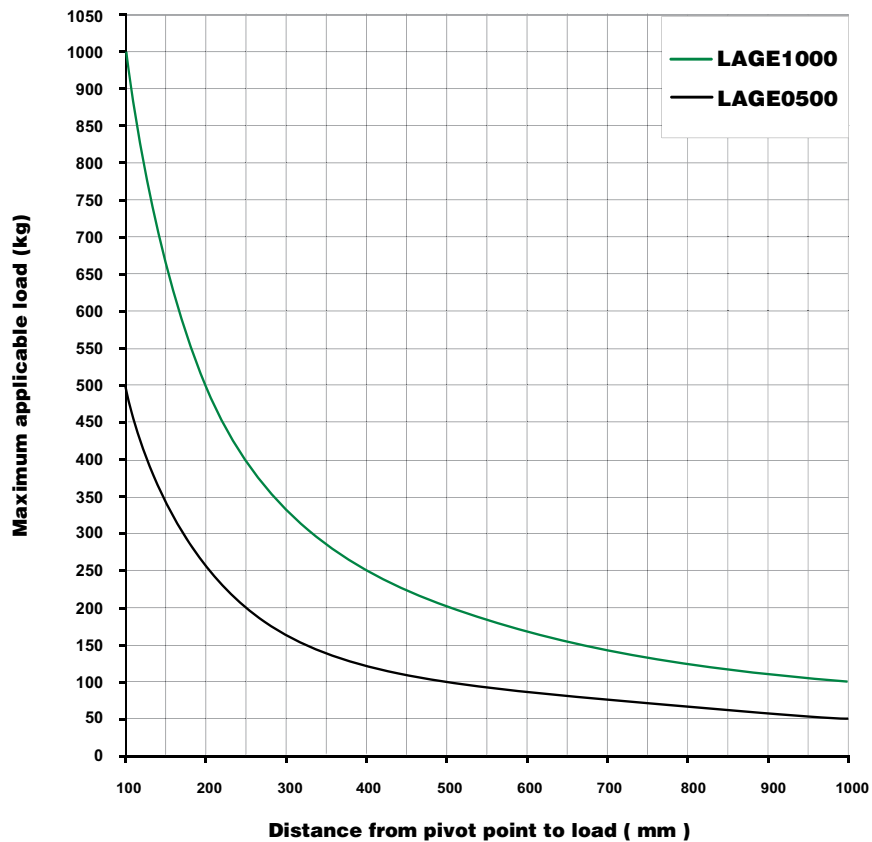


Maximum Applicable Load

English



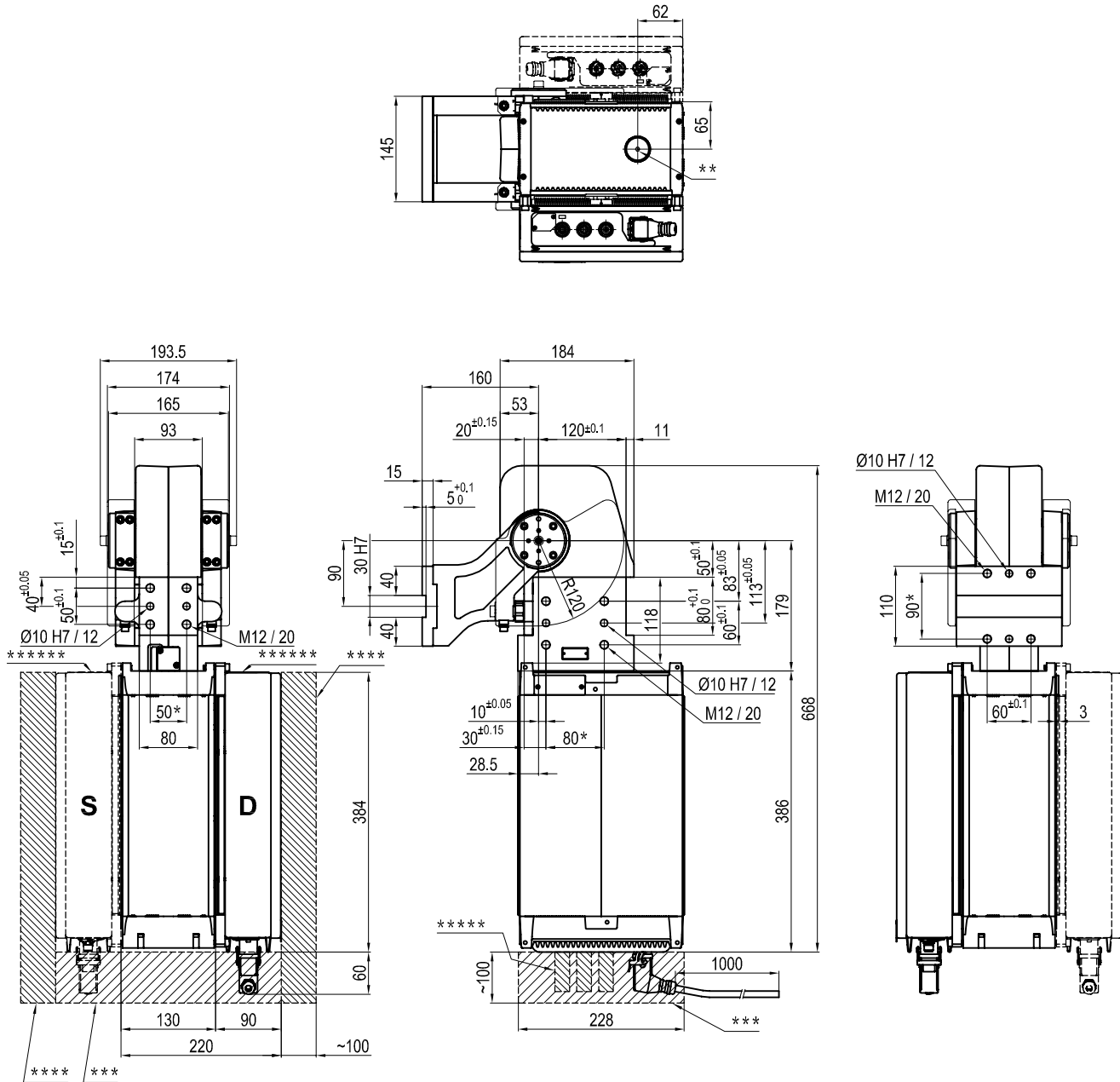
Metric





LAGE Series Electric Power Pivot

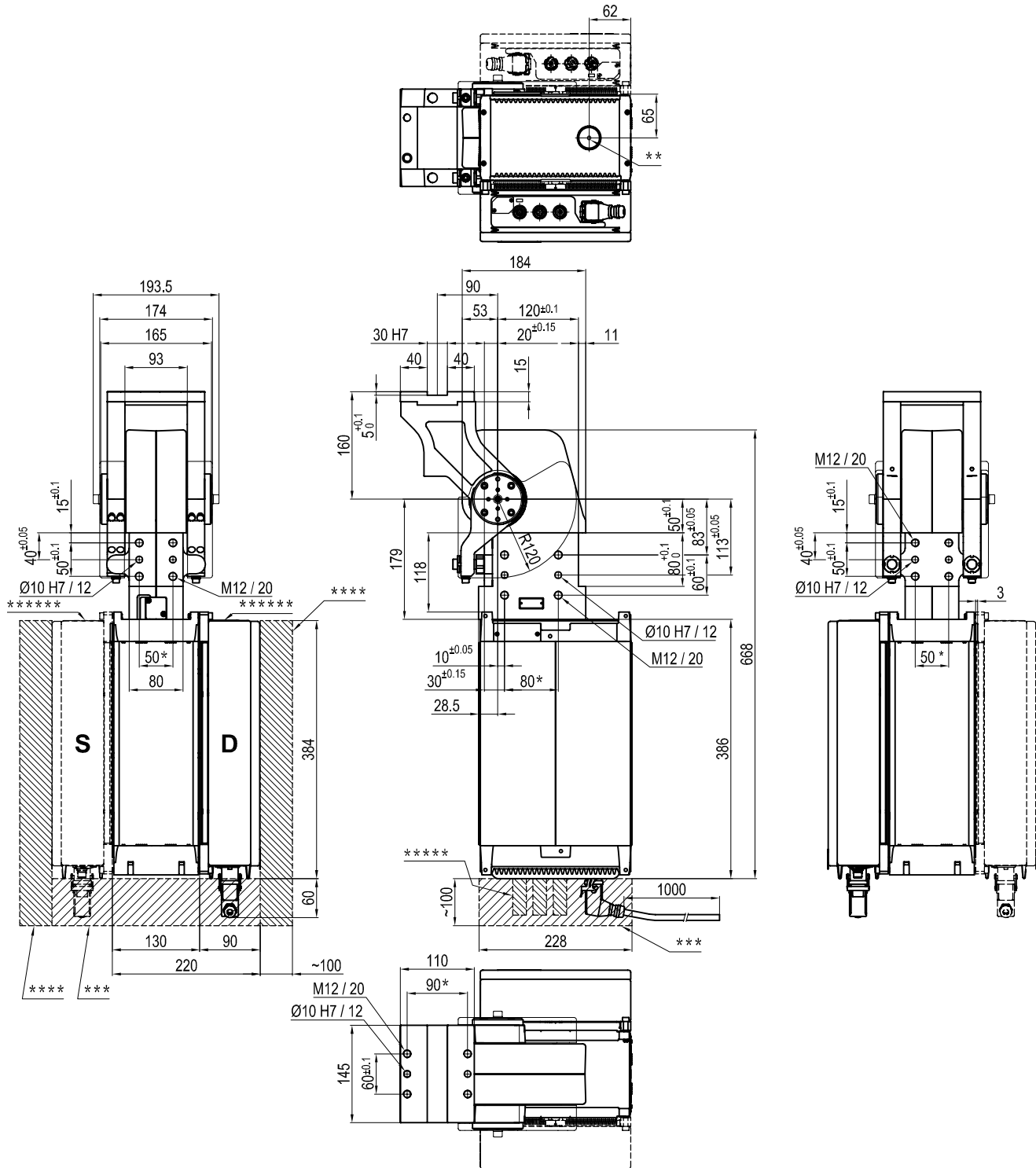
LAGE0500V__ Electric Power Pivot



- * : TOLERANCE BETWEEN DOWELS ± 0.02, TO SCREW HOLES ± 0.1
- ** : MANUAL OPERATION: COVER KEY $\square=5$, KEY TO MOVE THE TABLE $\square=10$
- *** : SPACE FOR MANUAL OPERATIONS
- **** : SPACE FOR OPERATING ON THE ELECTRONIC COMPONENTS
- ***** : ROOM FOR CONNECTORS
- ***** : CONTROL UNIT MOUNTING POSITION : D=RIGHT ; S=LEFT



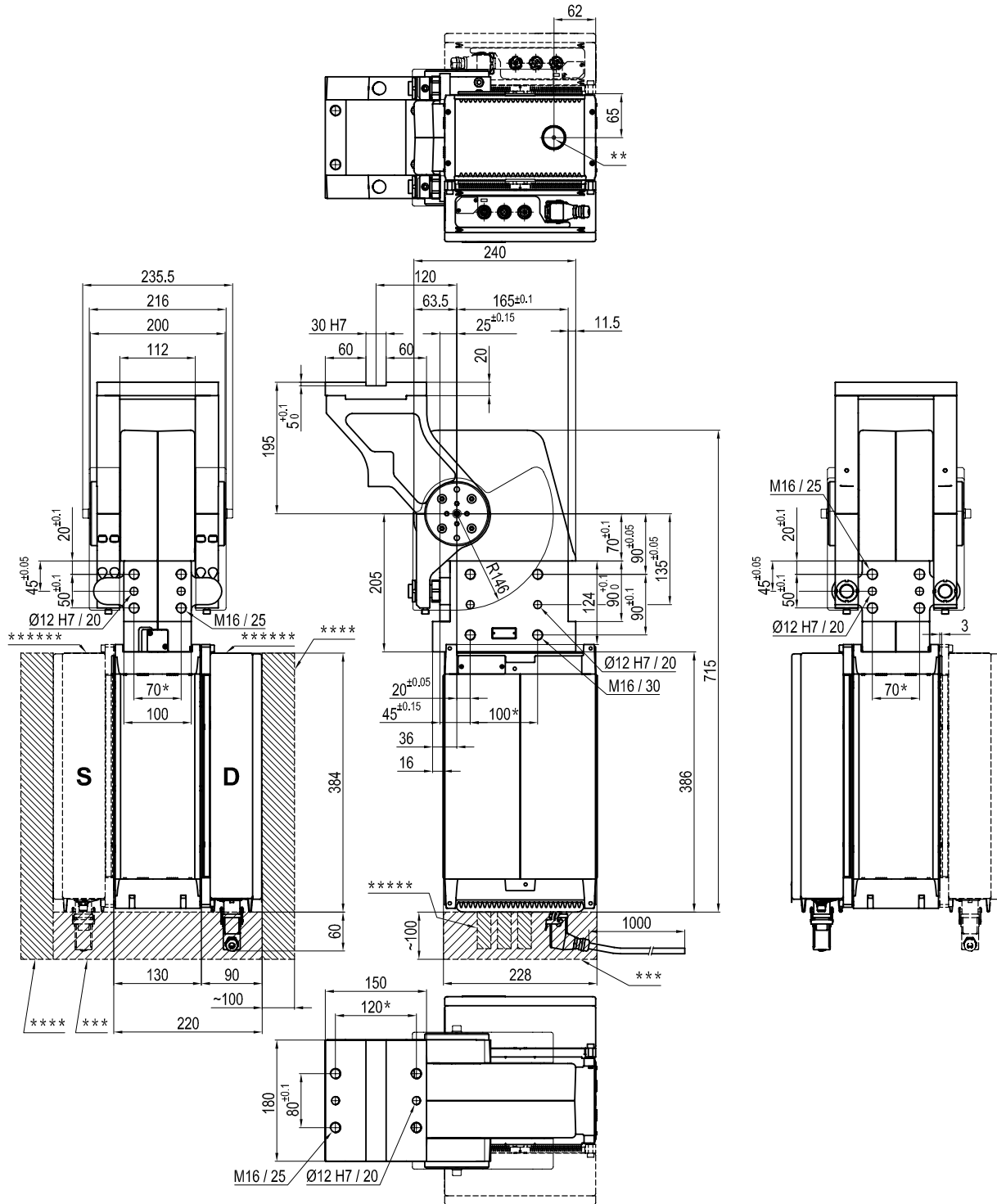
LAGE 05000_ Electric Power Pivot



- * : TOLERANCE BETWEEN DOWELS ± 0.02 , TO SCREW HOLES ± 0.1
- ** : MANUAL OPERATION: COVER KEY $\square=5$, KEY TO MOVE THE TABLE $\square=10$
- *** : SPACE FOR MANUAL OPERATIONS
- **** : SPACE FOR OPERATING ON THE ELECTRONIC COMPONENTS
- ***** : ROOM FOR CONNECTORS
- ***** : CONTROL UNIT MOUNTING POSITION : D=RIGHT ; S=LEFT



LAGE 1000 O__ Electric Power Pivot

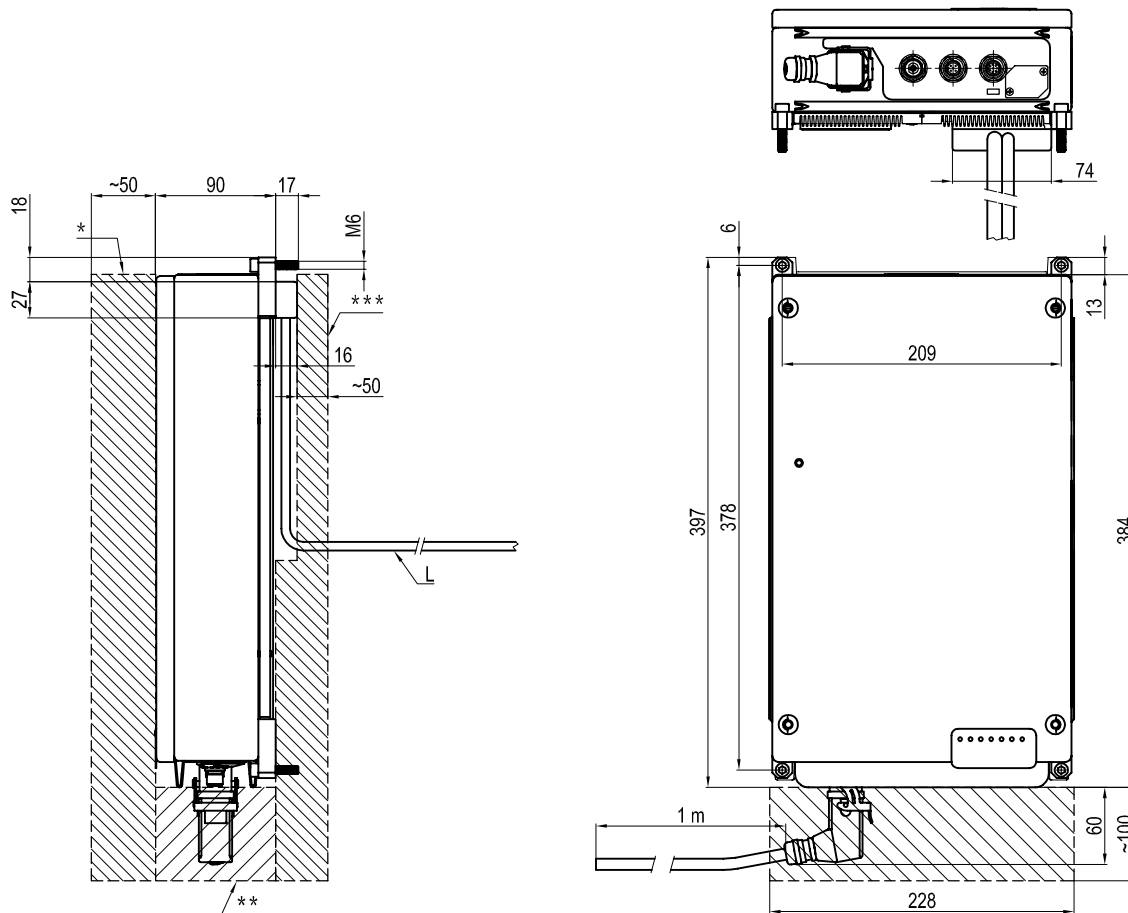


- * : TOLERANCE BETWEEN DOWELS ± 0.02 , TO SCREW HOLES ± 0.1
- ** : MANUAL OPERATION: COVER KEY $\square=5$, KEY TO MOVE THE TABLE $\square=10$
- *** : SPACE FOR MANUAL OPERATIONS
- **** : SPACE FOR OPERATING ON THE ELECTRONIC COMPONENTS
- ***** : ROOM FOR CONNECTORS
- ***** : CONTROL UNIT MOUNTING POSITION : D=RIGHT ; S=LEFT



LAGE Series Electric Power Pivot

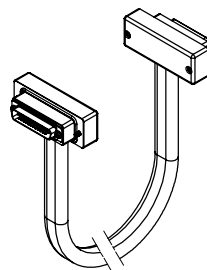
LKMOSC Remote Control Unit for LAGE0500 - LAGE1000

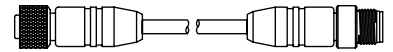


- * : SPACE FOR OPERATING ON THE ELECTRONIC COMPONENTS
- ** : ROOM FOR CONNECTORS
- *** : SPACE TO REMOVE THE CONTROL UNIT

Cable for the connection between the power pivot and remote control unit.

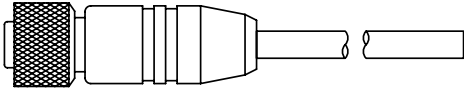
Part Number	Length
TZ-CVLAGE-050	5 meters
TZ-CVLAGE-100	10 meters
TZ-CVLAGE-150	15 meters
TZ-CVLAGE-200	20 meters





Electronic Clamp Cables

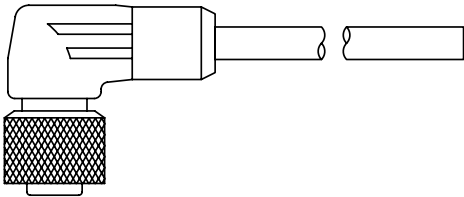
4 & 8 Pin 12mm (M12) Electric Clamp Cables



4 Pin Female Straight

2 Meter - TC0402MRX0000000

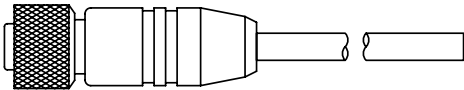
5 Meter - TC0405MRX0000000



4 Pin Female 90°

2 Meter - TD0402MRX0000000

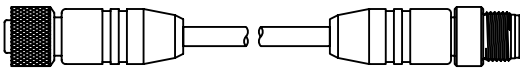
5 Meter - TD0405MRX0000000



8 Pin Female Straight

2 Meter - TC0802MRX0000000

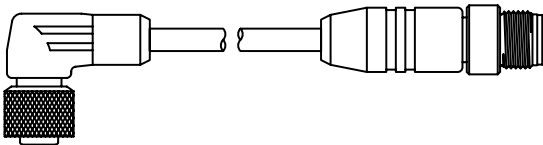
5 Meter - TC0805MRX0000000



4 Pin Male Straight to Female Straight

2 Meter - TA0402MR0TC04000

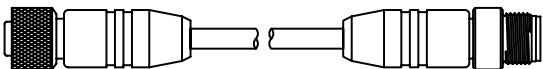
5 Meter - TA0405MR0TC04000



4 Pin Male Straight to Female 90°

2 Meter - TA0402MR0TD04000

5 Meter - TA0405MR0TD04000



8 Pin Male Straight to Female Straight

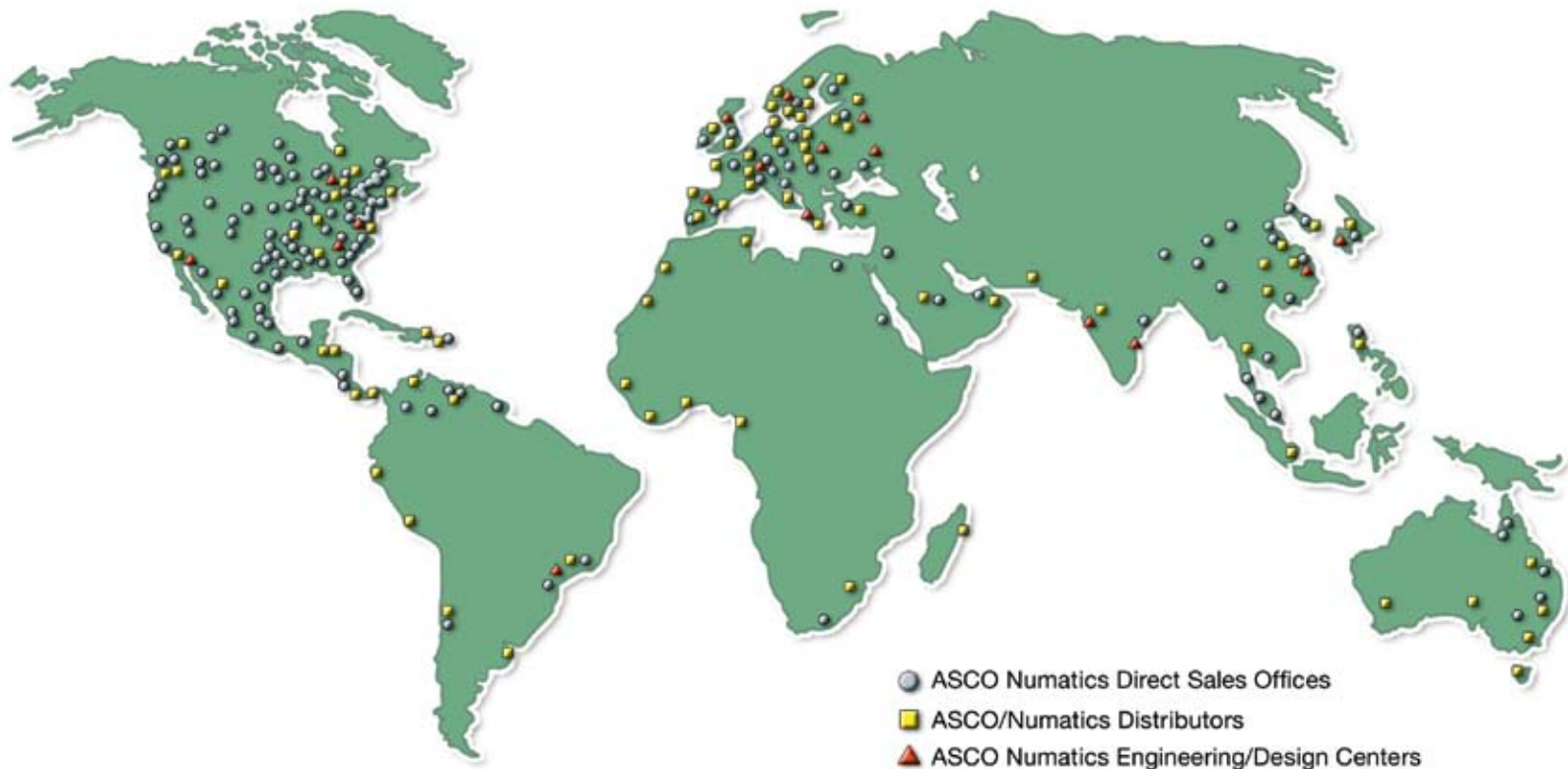
2 Meter - TA0802MR0TC04000

5 Meter - TA0805MR0TC04000

Notes

NUMATICS

*World Class Supplier
of Pneumatic Components*



WORLD HEADQUARTERS

USA

Numatics, Incorporated

46280 Dylan Drive
Novi, Michigan 48377

P: 1-888-Numatics
1-888-686-2842

Canada

Numatics, Ltd

P: 519-452-1777

Mexico

Numatics de Mexico S.A. de C.V.

P: 52-222-284-6176

For a comprehensive listing of all Numatics production and distribution facilities worldwide, visit:

www.numatics.com